



**Model 660
Brake Actuator
Owners Manual**

Model 660E Actuator

for Trailer Brakes

6,600 lbs. Capacity
Drum or Disc Brakes



Table of Contents	Page
Actuator Installation Instructions	2
Hitching the Trailer	3-4
Vehicle Wiring - Free Backing Brake Solenoid	4
Actuator Maintenance	4
Warnings	5-6
Bleeding Instructions	7-8
Part Diagrams and Replacement Parts	9-12
Limited Warranty	13-14

TIE DOWN ENGINEERING
255 Villanova Drive SW, Atlanta, GA 30336
(404) 344-0000 • Fax (404) 349-0401

IMPORTANT: READ AND UNDERSTAND THE ENTIRE INSTRUCTION/ASSEMBLY PROCEDURE BEFORE INSTALLING YOUR BRAKES AND ACTUATOR.

The Model 660E works by the “surge” or “push” of the trailer toward the tow vehicle. This automatically synchronizes the trailer brakes with the tow vehicle axle brakes. When the trailer pushes against the tow vehicle, the actuator telescopes together and applies the force to the master cylinder, supplying hydraulic pressure to the brakes. The built in dampening shock absorber retards the telescoping shock against the hitch ball. Be sure to comply with regulations for brakes in your state. Brake laws sometimes are minimum standards and you may wish to add additional brakes to your trailer.

Read your tow vehicles owner’s manual on towing capacity and other towing recommendations before installing brakes or this actuator. The Model 660E Actuator is completely assembled and ready to bolt into place, if not all ready installed. Manufactured for tongue sizes: 3”x 3”, 3”x 4” & 3”x 5”.

1. Bolt the actuator to the tongue-using grade 5 bolts 1/2 inch in diameter, 4 inches long. Lightweight tongues, less than 11 gauge, require spacer tubes inside the tongue for reinforcement. Attachment strength should equal or exceed than 1-1/2 times trailer G.V.W.R.
2. Hydraulic brake lines should be installed on the trailer as described in the installation manual supplied with the brakes. Note: Some disc brakes require the use of flexible brake lines at the connection POINT on the brake caliper. Follow brake manufacturer instructions.
3. Use only DOT-3 heavy-duty brake fluid in the Model 660E actuator. Use a pressure type brake bleeder to bleed brakes. (This type of brake bleeder is available at your local automotive jobber.) Follow manufacturer’s directions. Or, manually bleed the brakes using a heavy-duty flat blade screwdriver inserted in the hole provided on top of the actuator near the front. Insert the screwdriver and use a pumping action to activate the master cylinder in order to bleed the brakes. See page 7 for more details.

To bleed master cylinder and brakes, install bleeder hose on first wheel cylinder to be bled; if tandem axle trailer, bleed closest axle first, and the closest brake on that axle first. Use a loose end of hose from the bleeder valve submerged in a glass container of brake fluid to observe bubbling (hose must be submerged into clean brake fluid to keep air from traveling back into the brake cylinder). Loosen the bleeder screw located in the wheel cylinder one turn, the system is now open to the atmosphere. The bleeding operation for that brake is complete when bubbling stops. Be sure to tighten bleeder screw securely.

Each wheel cylinder must be bleed until all air is out of the lines. Replenish the brake fluid during the bleeding process so the level does not fall below half full level in the master cylinder reservoir. When bleeding and testing is completed, make sure master cylinder is filled to 3/8” below the top of the reservoir and filler cap is securely in place.

4. Check with your state motor vehicle department for laws concerning minimum trailer brake requirements. Some states may require brakes on all axles.
5. Road test trailer a short distance to activate the actuator several times. Check fluid level again. Remember, low brake fluid levels will result in hitch ball knocking.
6. When testing is completed, make sure master cylinder is filled to 3/8" below the top of the reservoir and filler cap is securely in place. Road test again to make sure brakes work properly.

**RATED CAPACITY: Maximum Actuator Capacity: 6600 lbs.
Gross Load, 660 lbs. Maximum Tongue Load**

The actual in-service rating is limited to that of the ball and hitch being used or the trailer manufacturer's G.V.W.R. shown on the certification label, whichever is lower (Note: G.V.W.R. is the Gross Vehicle Weight Rating which includes the trailer and the load weight as a Total Gross Weight).

Hitching The Trailer

1. The vehicle, towing hitch and ball must have a rating equal to or greater than trailer G.V.W.R..
2. Model 660E will accept 2" or 50mm trailer hitch balls only. Trailer balls larger than 2.00" (50mm) or out of round will not fit the coupler or may result in coupler failure. Balls smaller than 1.95" can cause shock loading and sudden disconnection. Make certain ball latch is in correct position to retain the hitch ball. Push latch until safety latch engages plate below latch. Insert safety pin into forward hole as a safety lock for the hitch ball coupler prior to towing. Do not tow trailer if coupler is damaged.
3. Connect safety cables or chains using crossed pattern under tongue, or follow trailer manufacturer's directions.
4. Connect actuator breakaway cable S-hook to the tow vehicle only. Do not connect S-hook to the safety cables or chains.
5. The breakaway system is designed to only operate after the trailer detaches from the tow vehicle and the safety chains have failed. The breakaway is not a parking brake. Do not use as such.
6. If the breakaway is accidentally applied, insert a flat bladed screwdriver into the spring clip on the side of the actuator and pry sideways pressure to release, see page 8.
7. Any control devices that restrict operation of the actuator cannot be used. This includes certain sway control devices. The actuator must be free to telescope in response to braking requirements.
8. Equalizing or weight distributing hitches may be used, that are designed to use with surge brake actuators, allow six to eight inches free chain length.

DANGER: Tongue weight beyond rating limits will interfere with performance of actuator, and braking system, and the tow vehicle.

9. The actuator is designed for use with Free-Backing trailer brakes. To block braking action, (in order to back up) with other types of brakes, use an electric solenoid. For trailer movement when brakes are not required, place the safety pin in the hole on the side of the actuator housing to block movement of the actuator. **DANGER: Failure to remove pin will also prevent forward braking. Pin must be in the lower, forward hole as a safety lock for the hitch ball coupler latch when towing at all times.**

Directions Vehicle Wiring - Brake Solenoid

1. Disconnect trailer hitch and any wiring connectors from the vehicle.
2. Connect a 14 gauge wire to the backup (reverse) light wire of the vehicle. This wire should be of sufficient length to attach to the existing vehicle/trailer wire receptacle. The end of this wire will require a female end that will match the solenoid male connector wire. Your vehicle may have a 5 wire connection for this purpose.
3. For ease of use, tape or band the end of the reverse light wire to the vehicle's trailer electrical connector.

Maintenance

1. Always check the brake fluid reservoir before using trailer. Make sure it is at least half full. If not, re-fill to 3/8 inch below the top of the reservoir with DOT 3 brake fluid. Do not use DOT 5 brake fluid. Check for leaks and repair as required. Never reuse brake fluid.
2. To extend coupler and ball life, coat both with a thin coating of grease. This will also eliminate squeaking. Wipe clean and renew film each time trailer is used.
3. Examine the actuator for bent parts or wear each time the trailer is used. Replace parts as necessary.
4. There are no user adjustments on the actuator.
5. Actuator travel (shown by coupler roller path) over one inch indicates a need to adjust the brakes or add fluid to the reservoir or a need to bleed the brakes and check connections for leaks. Adjust per instructions found in brake installation manual. In general, back-off adjusters on drum brakes from locked position, as required. Adjust Free-Backing brakes by rotating in forward direction only. Failure to adjust may result in loss of braking. Disc brakes do not require adjustment, check for pad wear.

Braking and Trailering Warnings

WARNING

Actuator and brakes should always be flushed with fresh water after using trailer in corrosive conditions. This includes salt water, fertilizers and other corrosive materials. Before storing trailer remove brakes and clean thoroughly. It is also wise to repack the bearings at the same time. Failure to properly and adequately maintain the actuator could cause serious damage, injury or death.

WARNING

The breakaway system is not designed to operate if the trailer does not separate completely from the tow vehicle, or if the tongue goes under the rear of the tow vehicle.

WARNING

In the event that the breakaway system is used, check all system components (cable, S-hooks, etc.) for proper working order. Replace any damaged parts with genuine Tie Down parts only.

WARNING

When re-setting the break a way system keep hands and fingers clear as you re-set the mechanism, hydraulic pressure held in the system may cause the assembly to snap back suddenly.

WARNING

AVOID sharp turns, which can cause the actuator to bind or jackknife against the tow vehicle or cause a bend in the tongue. Either can damage the actuator causing brake failure. AVOID towing trailer across large bumps or dips that may over stress the connection between the trailer and tow vehicle, as this could result in damage to the actuator.

WARNING

DO NOT REUSE BRAKE FLUID. Always use fresh DOT 3 fluid from a fresh container. Failure to maintain proper levels of fluid in the reservoir will cause brake failure.

WARNING

Failure to install the hitch pin before towing can result in accidental opening of the coupler hitch latch which can lead to the trailer coming off of the hitch ball causing serious damage, injury or death. If pin will not fit into the front lower hole, the coupler is not attached properly. Re-set coupler on hitch ball.

WARNING

A minimum of 5% tongue weight and a maximum 10% tongue weight of the trailer G.V.W.R. must be located on the hitch ball. The Trailer tongue should be parallel to the ground. Too much weight can cause premature brake actuation and loss of control of the towing vehicle. Too little tongue weight can cause the trailer to fishtail, resulting in loss of control of the tow vehicle and trailer (total trailer weight G.V.W.R. includes weight of the trailer plus load).

WARNING

A loose fit between the coupler and hitch ball can cause the actuator and hitch ball to separate, causing serious damage, injury or death. Check coupler every time prior to towing and at each stop on long trips. Always make certain that coupler latch safety pin is securely installed into coupler latch.

WARNING

Brake laws sometimes are minimum standards and you may wish to add additional brakes to your trailer. Read your tow vehicles owner's manual on towing capacity and other towing recommendations before installing brakes or this actuator.

WARNING

Never allow the coupler latch safety pin to remain in the reverse lockout position hole. After reverse maneuvering, always insert coupler latch safety pin back into coupler latch. **FAILURE TO REMOVE SAFETY PIN FROM REVERSE LOCK OUT POSITION HOLE WILL PREVENT FORWARD MOVEMENT BREAKING WHICH CAN RESULT IN SERIOUS PROPERTY DAMAGE, INJURY OR DEATH.**

WARNING

Tie Down actuators and brakes are designed to use DOT 3 (or 4) brake fluid. Do not use of DOT 5 brake fluid. Use of DOT 5 brake fluid will cause damage to internal parts that can result in loss of brake power.

Bleeding Instructions

To bleed master cylinder and brakes, install bleeder hose on first wheel cylinder to be bled; if tandem axle trailer, bleed closest axle first, and the closest brake on that axle first. Use a loose end of hose from the bleeder valve submerged in a glass container of brake fluid to observe bubbling (hose must be submerged into clean brake fluid to keep air from traveling back into the brake cylinder). Loosen the bleeder screw located in the wheel cylinder one turn, the system is now open to the atmosphere.

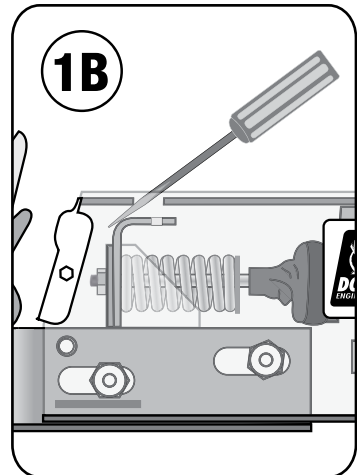
To pump master cylinder, insert a flat tip screwdriver into the bleeding access port on top, near the front of the actuator cover (See right photo and 1A below).

The screwdriver should be at the lowest angle possible to the actuator so that it slides in front of the e-stop bracket (See 1B).

Bleeding Access Port



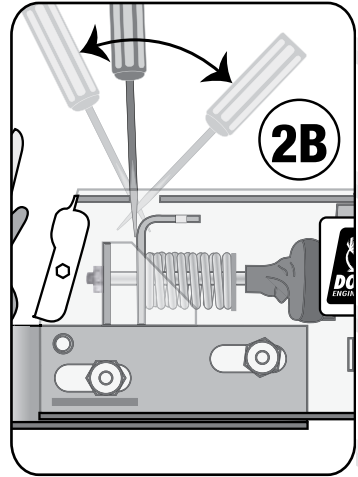
Screwdriver tip **MUST BE IN FRONT** of the e-stop bracket and **NOT** in the slot on the e-stop bracket (See 2A).



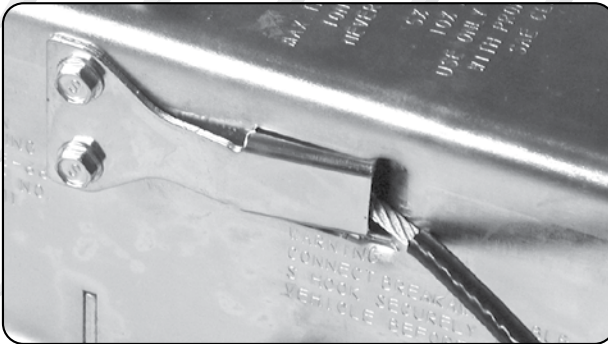
Push the screwdriver forward and back to pump the master cylinder. (See 2B).

The bleeding operation for that brake is complete when bubbling stops. Be sure to tighten bleeder screw securely. Each wheel cylinder must be bleed until all air is out of the lines. Replenish the brake fluid during the bleeding process so the level does not fall below half full level in the master cylinder reservoir.

When bleeding and testing is completed, make sure master cylinder is filled to 3/8" below the top of the reservoir and filler cap is securely in place.



Emergency Button Stop

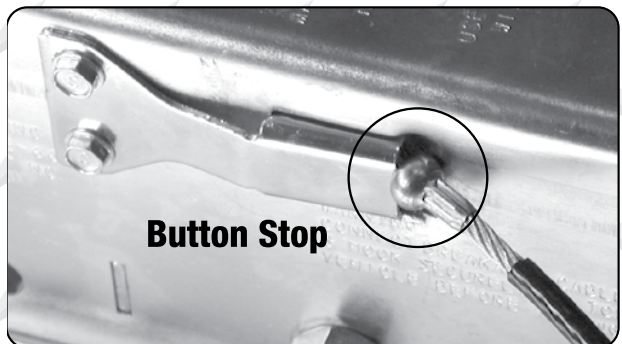


Emergency Button Stop

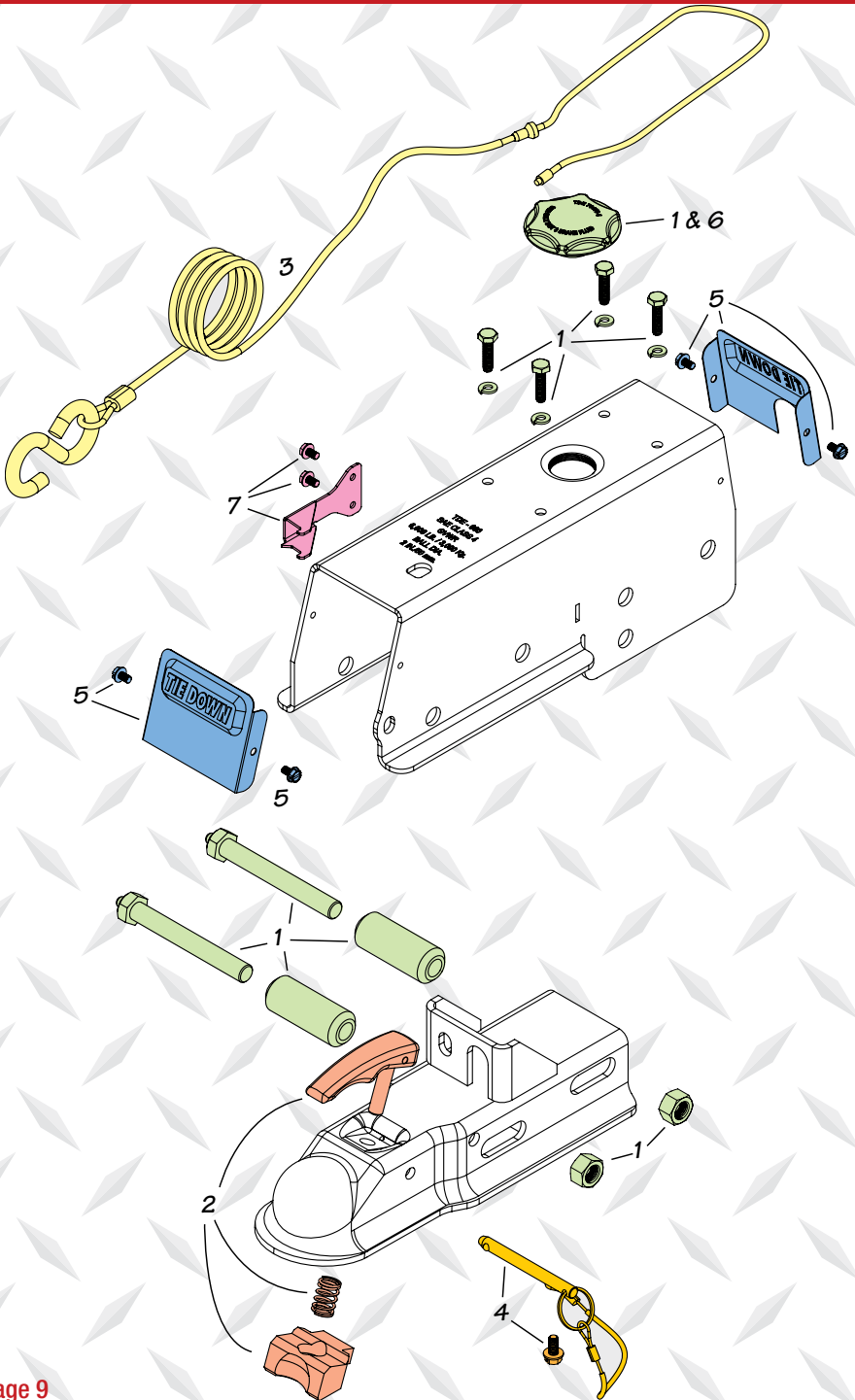
Shown in normal operating position

WARNING: If button stop cable is showing
DO NOT TOW TRAILER

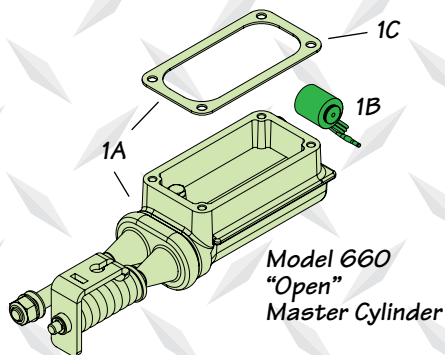
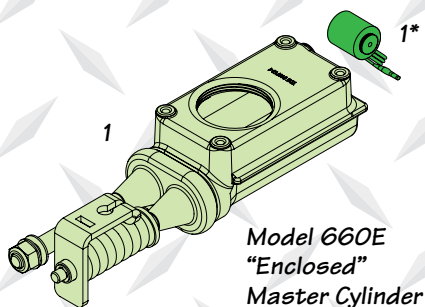
Release emergency stop cable by prying spring out with a flat blade screw driver.



Model 660E/660 Replacement Parts

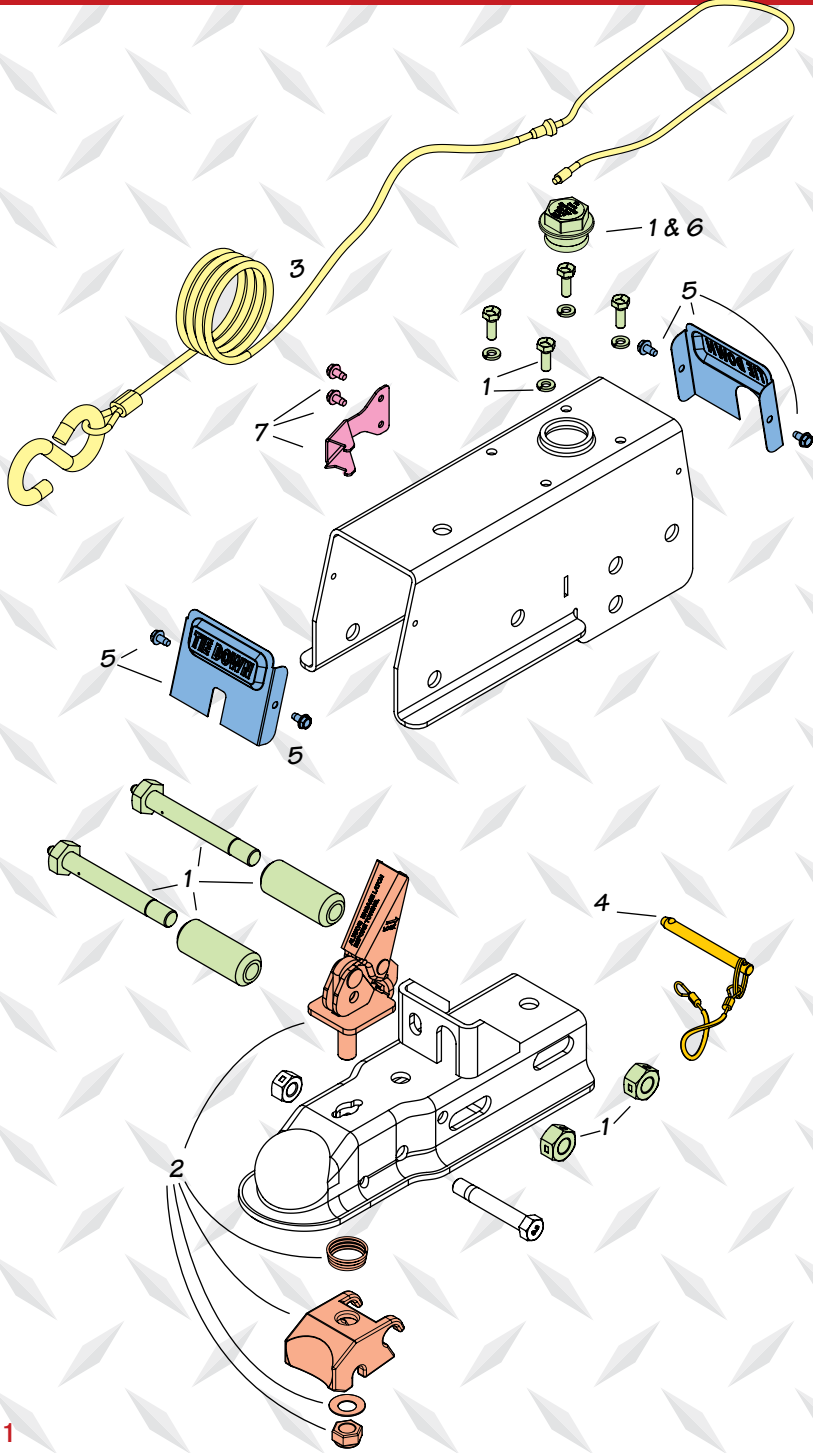


Model 660E/660 Replacement Parts

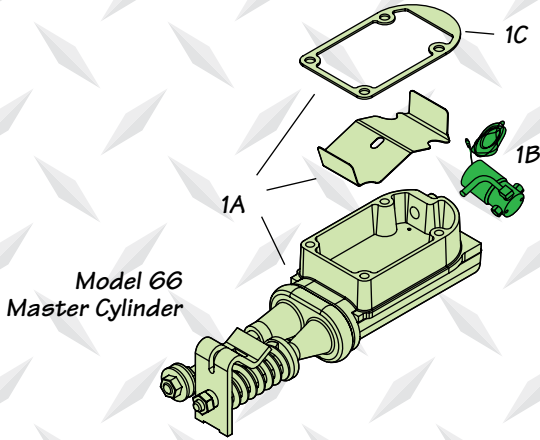


Item #	Part #	Description
1A	70461K	Disc Brake Master Cylinder Kit "Open Model" with gasket, Includes: master cylinder and cap, 4 mounting screws with washers, 2 rollers with matching nuts and bolts
1A	70461KD	Drum Brake Master Cylinder Kit "Open Model" with gasket, Includes: master cylinder and cap, 4 mounting screws with washers, 2 rollers with matching nuts and bolts
1A	70519K	Disc Brake Master Cylinder Kit "Enclosed Model" Includes: master cylinder and cap, 4 mounting screws with washers, 2 rollers with matching nuts and bolts
1A	70519KD	Drum Brake Master Cylinder Kit "Enclosed Model" Includes: master cylinder and cap, 4 mounting screws with washers, 2 rollers with matching nuts and bolts
1B	11286	Disc Brake Solenoid - used with Disc Brake Actuators
1C	70470-3	Gasket - For "Open Model" master cylinders
2	70411	Latch Kit Assembly, with Drop N Go Coupler, (for serial numbers 17926 and below)
2	70412	Latch Kit Assembly, with Drop N Go Coupler, (for serial numbers 17927 and above)
3	50317	Emergency Stop Cable (E-stop/Breakaway)
4	50301	Safety Cable with stainless steel pin - Includes mounting screw
5	70462K	Actuator Covers, Includes: front and rear cover plates and 4 mounting screws
6	48986A	Master Cylinder Fill Cap with internal bladder, 2.25" Opening (E-Models)
6	70470-4	Master Cylinder Fill Cap with internal bladder, 1.25" Opening (Open Models)
7	48845	Safety Spring with two mounting screws

Model 66 Replacement Parts



Model 66 Replacement Parts



Item #	Part #	Description
1A	47260K	Disc Brake Master Cylinder Kit “Lever Latch” with gasket and fluid baffle, includes: master cylinder and cap, 4 mounting screws with washers, 2 rollers with matching nuts and bolts
1A	47268K	Drum Brake Master Cylinder Kit “Lever Latch” with gasket and fluid baffle, includes: master cylinder and cap, 4 mounting screws with washers, 2 rollers with matching nuts and bolts
1B	11253A	Disc Brake Solenoid, Back Flow Model with return hose
1C	48803	Gasket, for “Lever Latch” master cylinders
2	47261	Latch Kit Assembly, (for serial numbers 16021 and above)
2	47262	Latch Kit Assembly, (for serial numbers 16020 and below)
3	50302	Emergency Stop Cable (E-stop/Breakaway), (for serial numbers 16020 and below)
3	50305	Emergency Stop Cable (E-stop/Breakaway), (for serial numbers 16021 and above)
4	50301	Safety Cable with stainless steel pin - Includes mounting screw
5	47264	Actuator Covers, includes front and rear cover plates and 4 mounting screws
6	48804	Master Cylinder Fill Cap with internal bladder
7	48845	Safety Spring with two mounting screws (for serial numbers 16021 and above)

TIE DOWN ENGINEERING LIMITED WARRANTY

Limited Warranty TIE DOWN ENGINEERING (“TIE DOWN”) warrants its products to be free from defects in material and workmanship for one year from date of delivery to the original purchaser when properly installed, used and maintained by the purchaser.

This warranty does not apply to damage or loss caused by any or all of the following circumstances or conditions:

- Damage caused during installation.
- Parts, accessories, materials or components used with or replacing any TIE DOWN braking system not obtained from or approved in writing by TIE DOWN.
- Misapplication, misuse and failure to follow the directions or observe cautions and warnings on installation, operation, application, inspection or maintenance specified in any TIE DOWN quotation, acknowledgment, sales literature, specification sheet or installation instruction and service manual (“applicable literature”).
- Use of product in any other application other than those described in TIE DOWN product information materials.

If any TIE DOWN products are found upon TIE DOWNS examination to have been defective when supplied, TIE DOWN will either: credit the purchaser’s account for the purchase price of the TIE DOWN product; replace the TIE DOWN product; or repair the product. TIE DOWN has sole discretion in choosing which option to provide. For this LIMITED WARRANTY to apply, TIE DOWN must receive notice of the alleged defect within 30 days of either the discovery of the alleged defect or the expiration of the warranty period, whichever is earlier. Any claim not made within this period shall conclusively be deemed waived.

If requested by TIE DOWN, purchaser shall return the alleged defective product to TIE DOWN for examination at purchasers expense. TIE DOWN will not pay for expenses incurred in returning a product to TIE DOWN without TIE DOWNS prior written authority. TIE DOWN shall not be liable for any other expenses purchaser incurs to remedy any defect. Purchasers waive subjugations on all claims under any insurance.

Limitation of Liability: It is expressly agreed that the liability of TIE DOWN is limited and TIE DOWN does not function as an insurer. THE REMEDIES SET FORTH IN THIS WARRANTY SHALL CONSTITUTE THE EXCLUSIVE REMEDIES AVAILABLE TO THE PURCHASER OR USER AND ARE IN LIEU OF ALL OTHER REMEDIES, EXPRESS OR IMPLIED. THE LIABILITY OF TIE DOWN, WHETHER IN CONTRACT, IN TORT, UNDER ANY WARRANTY OR OTHERWISE, SHALL NOT EXCEED THE PURCHASE PRICE OF THE PARTICULAR PRODUCT MANUFACTURED, SOLD OR SUPPLIED BY TIE DOWN.

To Obtain Technical Assistance: To enable TIE DOWN to respond to a request for assistance or evaluation of customer or user operating difficulty, please provide at a minimum the following information by calling 1-800-241-1806:

- Model number, serial number and all other data on the specific component which appears to be involved in the difficulty.
- The date and from whom you purchased your TIE DOWN product.
- State your difficulty, being sure to mention at least the following: Application, Nature of load involved, and Weight of the load.

Field Service: If field service at the request of the purchaser is rendered and the difficulty is found not to be with TIE DOWNS product, the purchaser shall pay the time and expense (at the prevailing rate at the time of service) of seller's field representative(s). Charges for service, labor and other expenses that have been incurred by the purchaser, its customer or agent without prior written authorization of TIE DOWN will not be accepted.

TIE DOWN EXTENDS NO WARRANTY, EXPRESS OR IMPLIED, ON PRODUCTS NOT MANUFACTURED BY TIE DOWN OR TO TIE DOWNS DESIGN SPECIFICATION, INCLUDING BUT NOT LIMITED TO SUCH ITEMS AS NON-TIE DOWN TIRES, BRAKES, ACTUATORS, BEARINGS, HOSE AND TUBING. PURCHASER'S RECOURSE SHALL BE LIMITED TO ANY WARRANTY OF THE RESPECTIVE MANUFACTURERS.

THIS WARRANTY EXCLUDES ALL IMPLIED WARRANTIES OF MERCHANTABILITY OR FITNESS FOR A PARTICULAR PURPOSE OR ANY PURPOSE.

THIS WARRANTY DOES NOT COVER NOR EXTEND TO INCIDENTAL OR CONSEQUENTIAL DAMAGE. Some states do not allow the exclusion or limitation of incidental or consequential damages, so the above limitation or exclusion may not apply to you. This warranty gives you specific legal rights, and you may also have other rights which vary from state to state.

No representative has authority to make any representation, promise or agreement except as stated in this Limited Warranty. TIE DOWN reserves the right to make design and other changes upon its products without any obligation to install the same on any previously sold or delivered products.

DUE TO THE WIDE VARIATION IN USES TO WHICH TIE DOWN PRODUCTS (WHEELS, HUBS, BRAKES, ETC.) ARE SUBJECTED BY USERS, WE ARE UNABLE TO SPECIFY CARRYING CAPACITIES OR SPEEDS FOR A PARTICULAR APPLICATION. THEREFORE, THE MANUFACTURER MUST TEST HIS EQUIPMENT UNDER THE MOST SEVERE CONDITIONS TO DETERMINE THAT TIE DOWN PRODUCTS ARE SUITABLE.

THERE ARE NO WARRANTIES WHICH EXTEND BEYOND THOSE DESCRIBED ABOVE. EFFECTIVE JANUARY 2013 THIS WARRANTY SUPERSEDES ALL PRIOR WARRANTIES, WRITTEN OR IMPLIED.



Model 660 Brake Actuator Owners Manual



TIE DOWN ENGINEERING
255 Villanova Drive SW, Atlanta, GA 30336
(404) 344-0000 • Fax (404) 349-0401

© 2014 TIE DOWN, Inc. ALL RIGHTS RESERVED
Instruction #08218