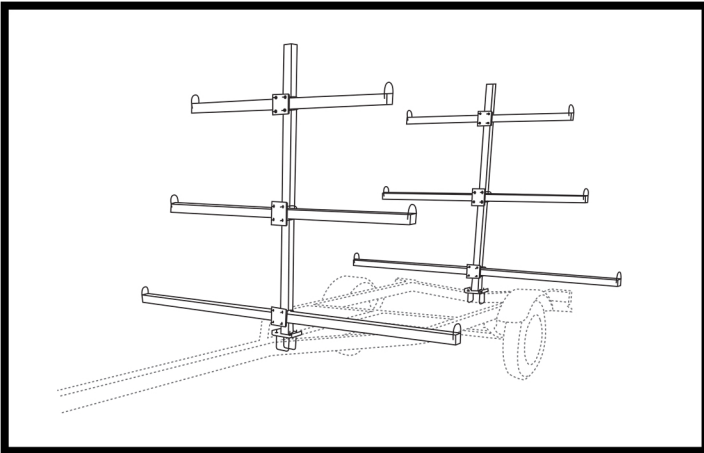
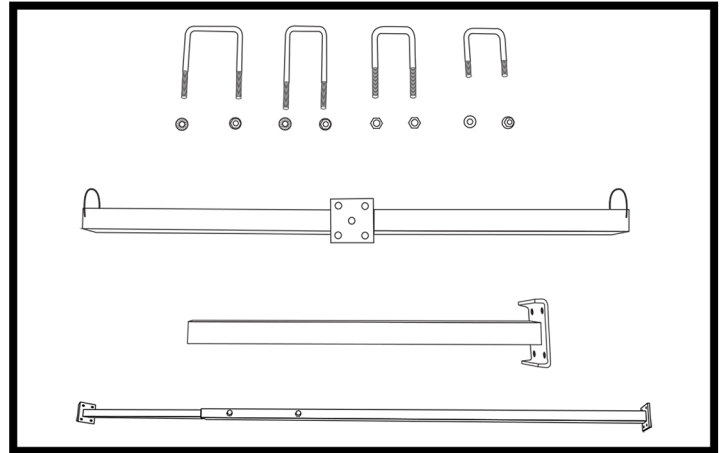


Com-Fab Trailers: Canoe/Kayak Kit Assembly Instructions

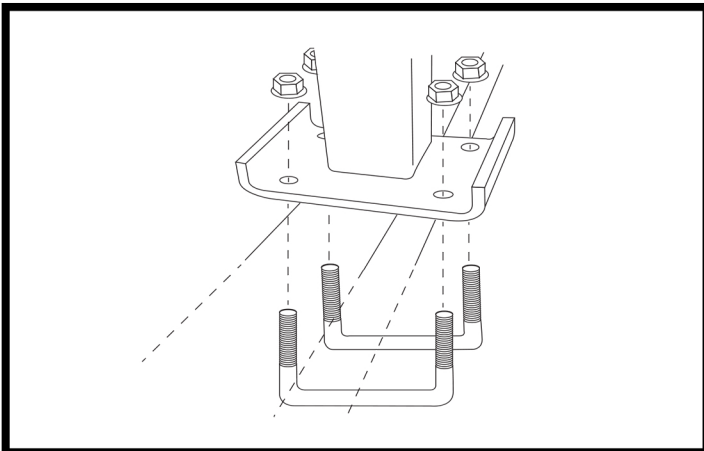


The picture above shows the general setup of your canoe/kayak kit. Sizes of Uprights and Braces may vary according to your specific kit.

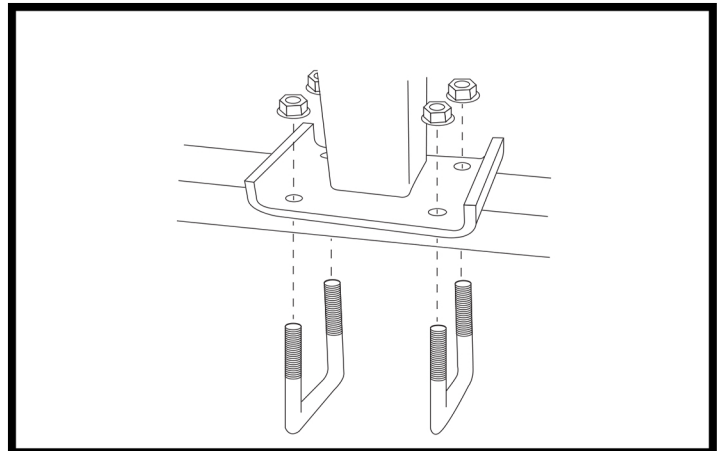


Your kit includes the following pieces:

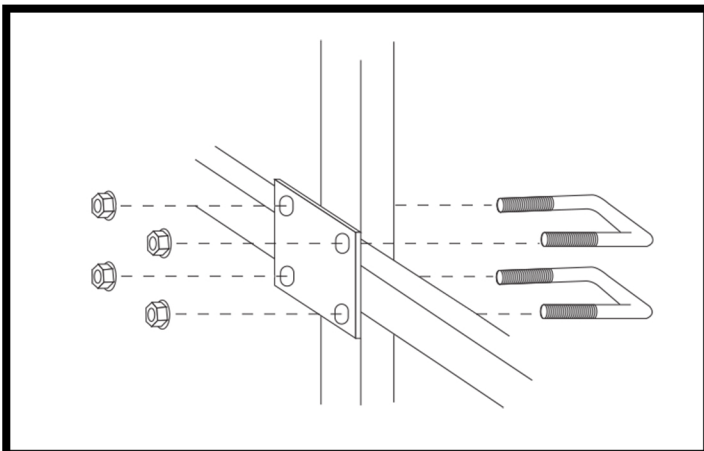
- UBOLT 3/8-16x2.06x5.25
- UBOLT 3/8-16x3.06x4.5
- UBOLT 7/16-14x2.06x4.31
- UBOLT 3/8-16x2.06x2.88 (*For Optional Stability Bar*)
- Canoe/Kayak Upright Bar of 2"x2" Square Galvanized Tubing
- Canoe/Kayak Crossbrace Bar of 2"x2" Square Galvanized Tubing
- Galvanized Adjustable Stability Bar for 8' to 12' Spans (*Optional*)
- 3/8-16 Serrated Flange Nut
- 3/8-16 Hex Flange Top Lock Nut
- 7/16-16 Trilock Nut



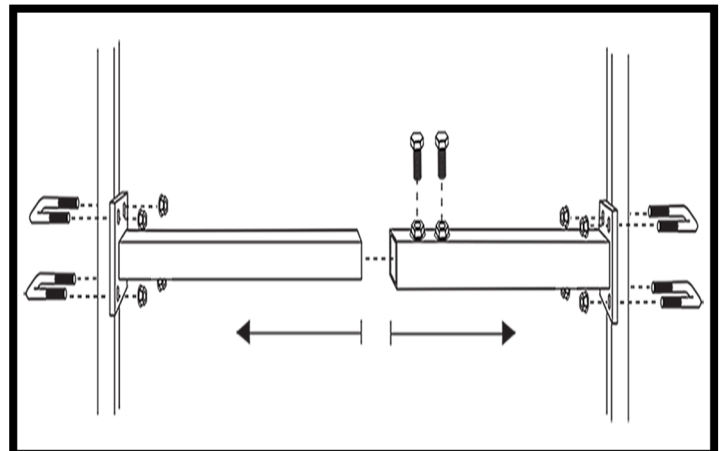
Use UBOLT 3/8-16x2.06x5.25 (for 2" Wide Tubing) or UBOLT 3/8-16x3.06x4.5 (for 3" Wide Tubing) to secure Canoe/Kayak Upright Bar to tongue with 3/8-16 Serrated Flange Nuts.



Use UBOLT 3/8-16x2.06x5.25 (for 2" Wide Tubing) or UBOLT 7/16-14x2.06x4.31 (for 1.5" Wide Tubing) to secure Canoe/Kayak Upright Bar to Rear of Trailer with 3/8-16 Serrated Flange Nuts, or 7/16 Trilock Nuts.



Use UBOLT 3/8-16x2.06x5.25 (for 2" Wide Tubing) to secure Canoe/Kayak Crossbrace Bar to Upright Bar with 3/8-16 Serrated Flange Nuts.



**For mounting optional Galvanized Adjustable Stability Bar only. Use UBOLT 3/8-16x2.06x2.88 to secure backing plate to Upright Bar with 3/8-16 Hex Flange Top Lock Nut. Use Pre-fitted pinch bolts to secure desired length.