



BELWITH
KEELER®

Refined in Elegance™

Belwith-Keeler® is a brand refined in elegance, with trend-leading design, inspired by the latest fashion. In our largest reveal yet, we feature a refined product selection with expert fit and finish, adding only the finest to our living library of designs since 1893.

EXPLORE OUR
collections

Collections

Trellis	7	Caspian	47
Olivet	11	Amaranta	51
Ingot	15	Facette	55
Callisto	19	Junzi	59
Avenue	23	Vintage 1900	63
Channel	27	Studio II	67
Wexler	31	Contemporary Bar Pulls	71
Fuller	35	Verona	75
Luster	39	Tressé	79
Philippe	43		

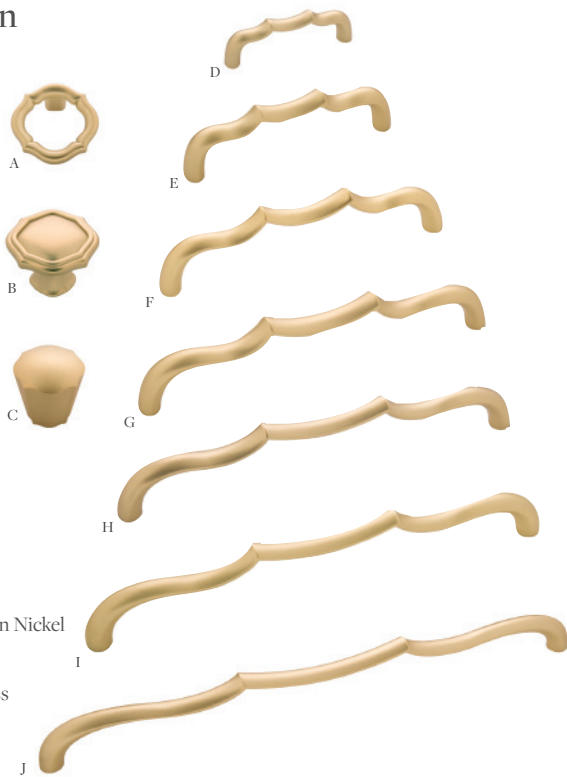


TRELLIS INSPIRATION

Designed with the quatrefoil pattern in mind, the Trellis collection applies a modern refinement to this classic shape, and allows for instant sophistication to be introduced to your cabinetry.

Trellis Collection

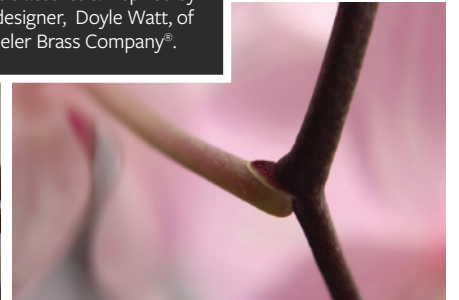
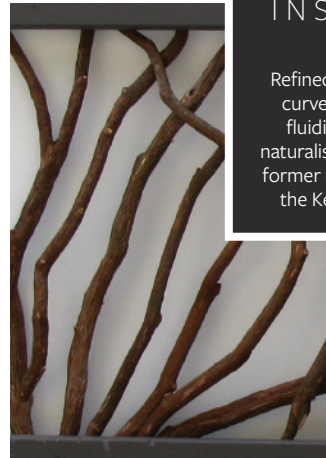
- A B076180-FUB
- B B076137-FUB
- C B076138-FUB
- D B076139-FUB
- E B076140-FUB
- F B076141-FUB
- G B076142-FUB
- H B076143-FUB
- I B076144-FUB
- J B076145-FUB





OLIVET INSPIRATION

Refined organic shapes, subtle curves, and overall sense of fluidity perfectly capture a naturalistic aesthetic. Inspired by former designer, Doyle Watt, of the Keeler Brass Company®.



Olivet Collection

- A B075324-OBH
- B B076037-OBH
- C B075319-OBH
- D B075122-OBH
- E B076039-OBH
- F B076040-OBH
- G B075320-OBH
- H B075321-OBH



14 - Polished Nickel



SN - Satin Nickel



CP - Bright Copper



OBH - Oil-Rubbed
Bronze Highlighted





INGOT INSPIRATION

Meshing modern geometric forms with the raw ingot shape, this unique design features tactile sophistication that belies its base characteristics.

Ingot Collection

- A B075644-CH
- B B075529-CH
- C B076041-CH
- D B076042-CH
- E B075530-CH
- F B076043-CH
- G B075531-CH
- H B076008-CH
- I B075645-CH



CH - Chrome



SN - Satin Nickel



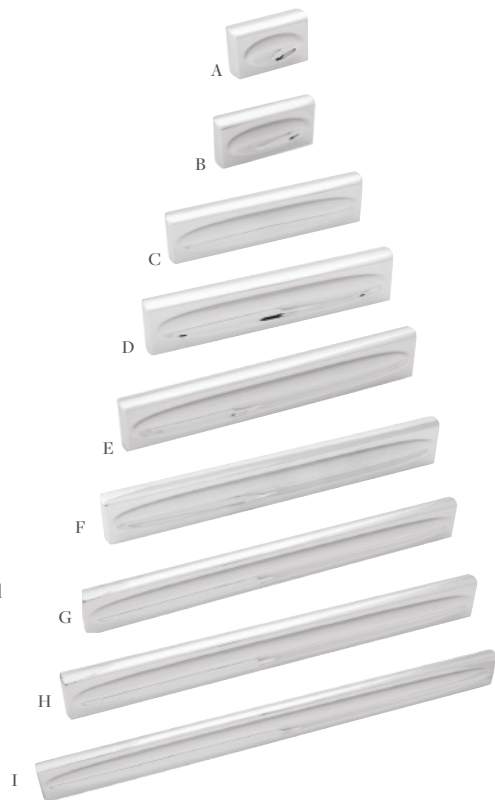
EGN - Elusive Golden Nickel



BGB - Brushed Golden Brass



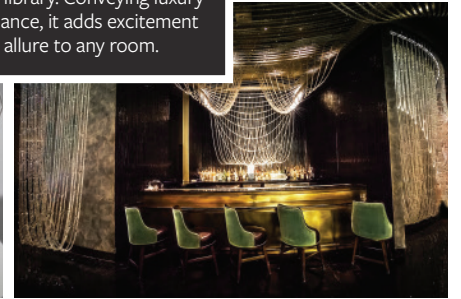
MB - Matte Black





CALLISTO INSPIRATION

With Hollywood Regency in mind, the Callisto collection is an inspired, modern refinement of our living library. Conveying luxury and opulence, it adds excitement and allure to any room.



Callisto Collection

- A B075672-CH
- B B075673-CH
- C B076033-CH
- D B075669-CH
- E B076036-CH
- F B076035-CH
- G B076034-CH



14 - Polished Nickel



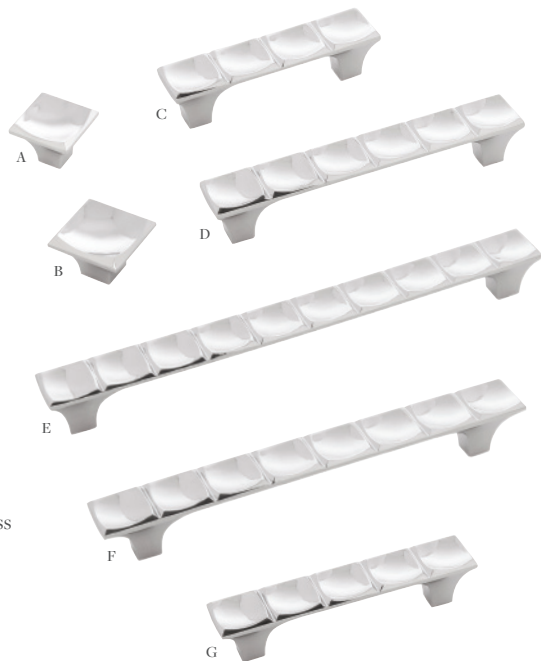
CH - Chrome



SN - Satin Nickel



FUB - Flat Ultra Brass



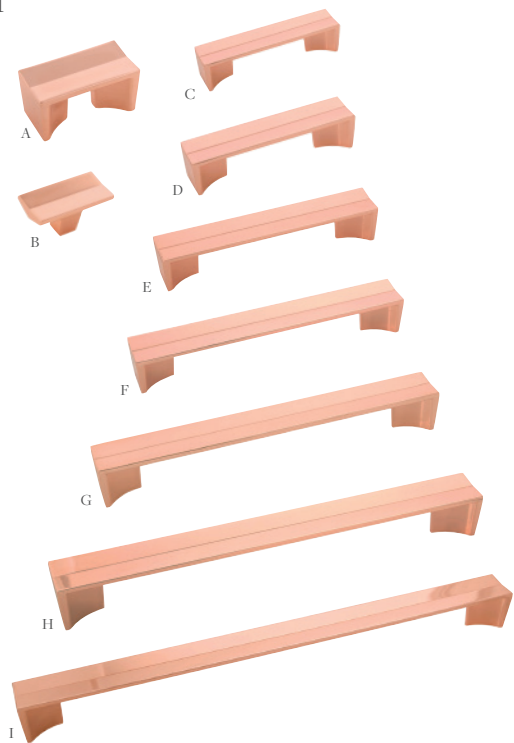


AVENUE INSPIRATION

The Avenue collection applies a minimalist approach to the deliberate, function focused designs found in urban engineering; the resulting shapes are simple and elegant. The perfect accent to your cabinetry.

Avenue Collection

- A B076086-CP
- B B076087-CP
- C B076088-CP
- D B076089-CP
- E B076090-CP
- F B076091-CP
- G B076092-CP
- H B076093-CP
- I B076094-CP



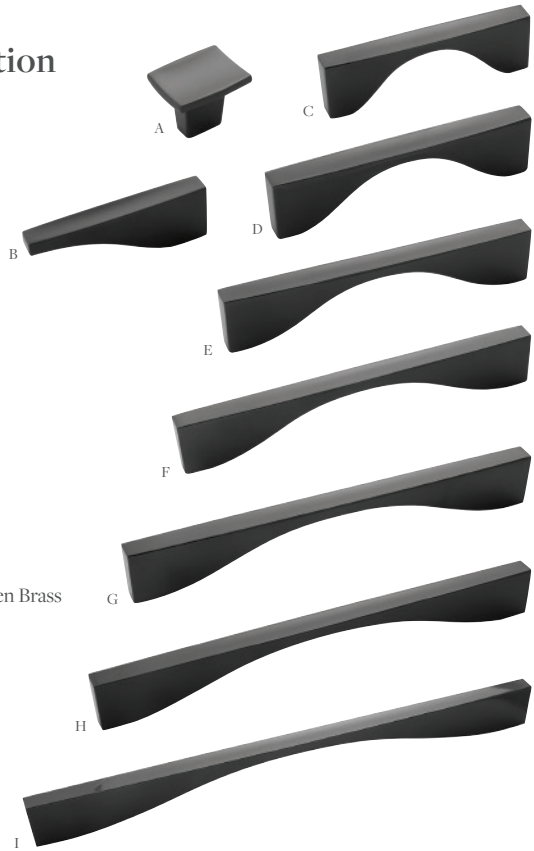


CHANNEL INSPIRATION

The delicate balance between positive and negative space. A touch of Bauhaus with a modern, clean feel.

Channel Collection

- A Bo76146-BLN
- B Bo76147-BLN
- C Bo76148-BLN
- D Bo76149-BLN
- E Bo76150-BLN
- F Bo76151-BLN
- G Bo76152-BLN
- H Bo76153-BLN
- I Bo76154-BLN





WEXLER INSPIRATION

Inspired by mid-century
modern style, with clean lines,
subtle curves and linear shapes
for a minimalist touch.



Wexler Collection

- A Bo76337-RLB
- B Bo76336-RLB
- C Bo76338-RLB
- D Bo76339-RLB
- E Bo76340-RLB
- F Bo76341-RLB
- G Bo76342-RLB



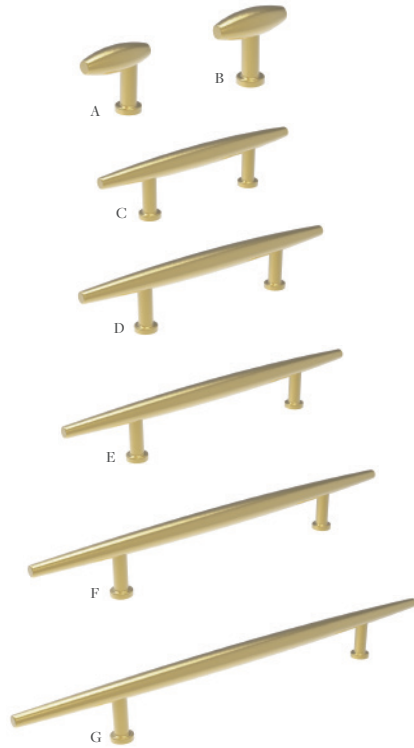
SS - Stainless Steel



RLB - Royal Brass



FO - Flat Onyx





FULLER INSPIRATION

An embrace of vintage plumbing, namely the Fuller ball valve, popular in the early 20th century. An evolution of that craftsmanship, this evocative collection appeals to romanticism or even whimsy.



Fuller Collection

- A B075061-CH
- B B076288-CH
- C B076289-CH
- D B076290-CH
- E B075060-CH
- F B076291-CH
- G B076292-CH
- H B076293-CH
- I B076294-CH



CH - Chrome



SS - Stainless Steel



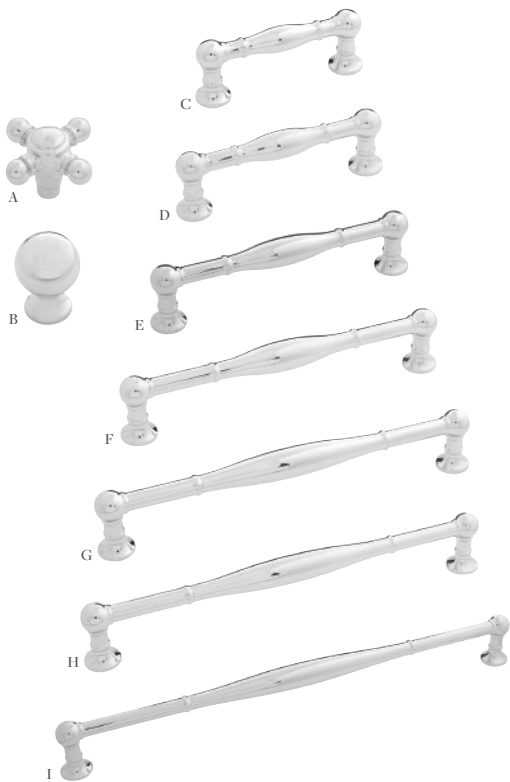
CP - Bright Copper



FUB - Flat Ultra Brass



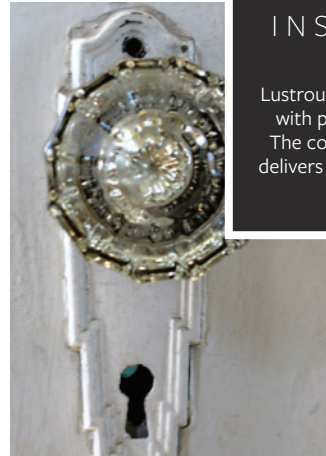
VB - Vintage Bronze





LUSTER INSPIRATION

Lustrous, classic glass hardware
with polished finish accents.
The combination of materials
delivers a timeless, vintage style.



Luster Collection

- A B076570-GLCH
- B B076571-GLCH
- C B076569-GLCH
- D B076572-GLCH
- E B076568-GLCH
- F B076573-GLPB
- G B076274-GLCH
- H B076574-GLCH



CH - Chrome



PB - Polished Brass

*Not all items available
in all finishes shown.



A



B



C



D



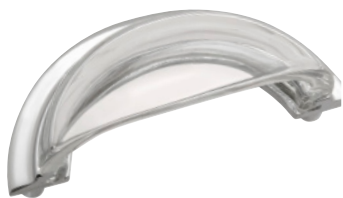
E



F

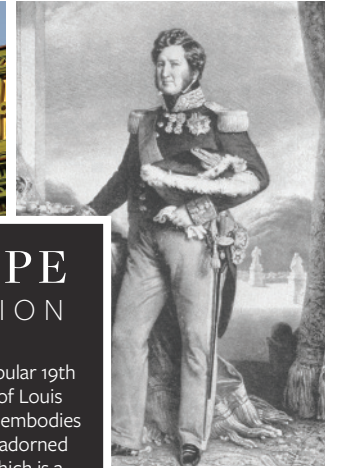


G



H





PHILIPPE INSPIRATION

Fashioned after the popular 19th Century French style of Louis Philippe. This collection embodies an unassuming and unadorned approach to design which is a perfect complement to today's transitional kitchens and baths.



Philippe Collection

- A B056520-APN
- B B055673-APN
- C B055683-APN
- D B056650-APN



CH - Chrome



APN - Antique Pearl Nickel



O4 - Satin Brass



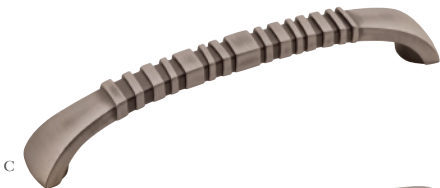
VBN - Vintage Bronze Nickel



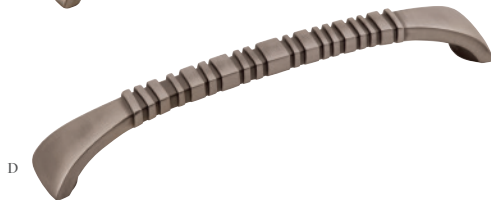
A



B



C



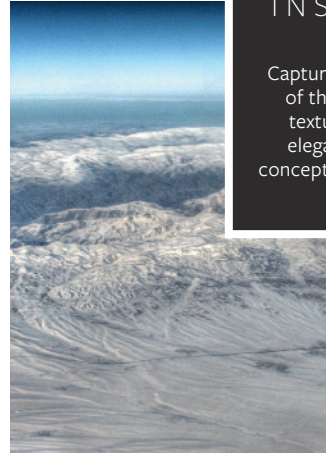
D





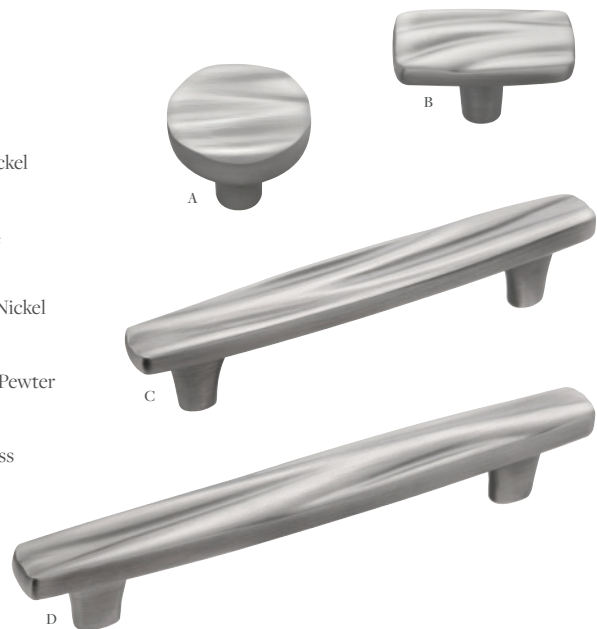
CASPIAN INSPIRATION

Capturing the natural motion
of the Caspian Sea. Wavy
textures flow into a soft,
elegant design. Simple in
concept, beautiful in execution.



Caspian Collection

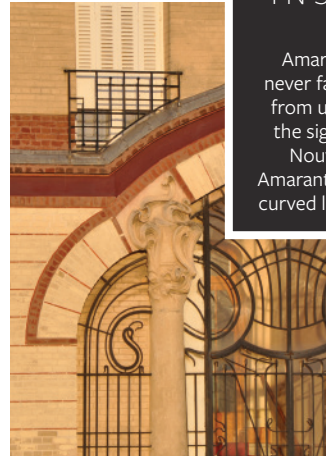
- A B056974-AP
- B B072431-AP
- C B072342-AP
- D B072341-AP





AMARANTA INSPIRATION

Amaranta - the flower that never fades. Taking inspiration from unbridled floral growth, the signature look of the Art Nouveau movement, the Amaranta collection emphasizes curved lines and elegant shapes.



Amaranta Collection

A B072432-ANN

B B072433-ANN

C B057254-ANN

D B072435-ANN



ANN - Antique Nickel



14 - Polished Nickel



ARG - Antique Rose Gold



VBN - Vintage Bronze Nickel





FACETTE INSPIRATION

Hexagonal architecture, with honeycomb shapes are prevalent in jewelry, art and furniture. With this simple & contemporary, design, the six faceted shapes add unique appeal.

Facette Collection

- A B054726-14
- B B053134-14
- C B072425-14
- D B072442-14

- CH - Chrome
- 14 - Polished Nickel
- SS - Stainless Steel
- 04 - Satin Brass
- BCP - Brushed Copper
- DAC - Dark Antique Copper
- VBN - Vintage Bronze Nickel





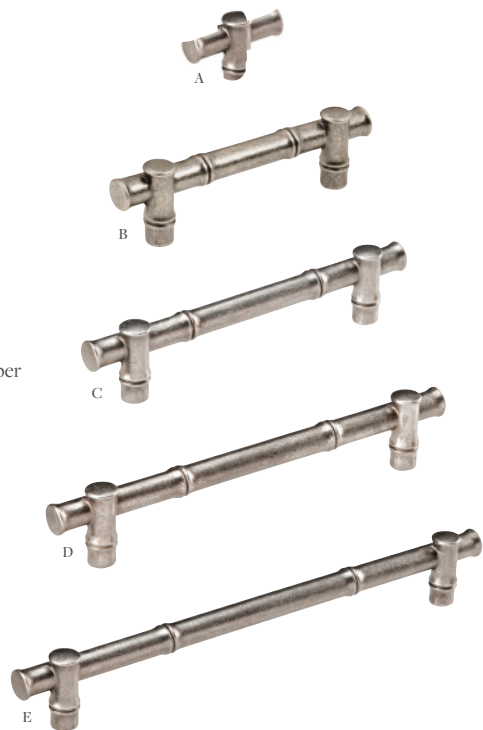
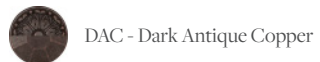
JUNZI INSPIRATION

Rooted in the popular Chinoiserie style of romanticized Chinese motifs, the Junzi collection is a transitional take on a traditional style. Stylized, yet natural.



Junzi Collection

- A B056655-BNV
- B B056656-BNV
- C B056657-BNV
- D B056658-BNV
- E B056659-BNV





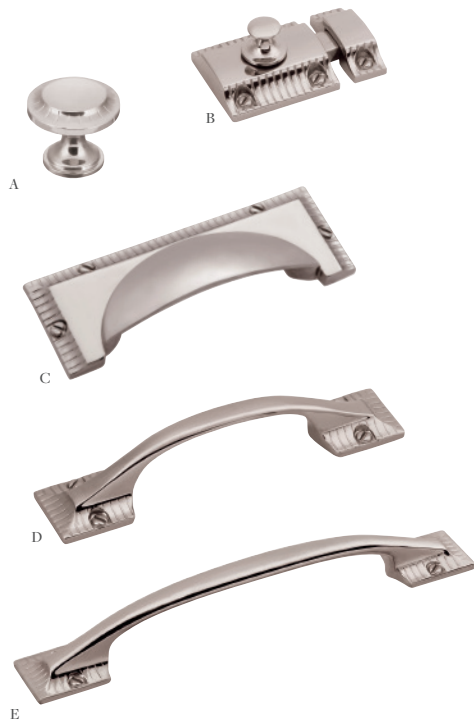
VINTAGE 1900 INSPIRATION

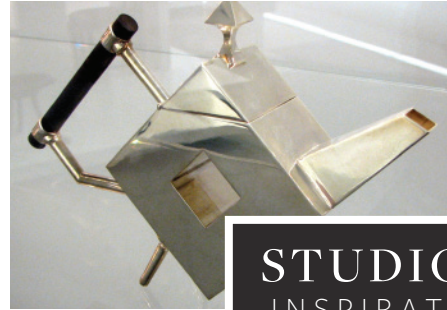
Influenced by the late 19th Century revival of handicrafts known as the Arts & Crafts movement, our Vintage 1900 Collection pays homage to this period, accentuated by faux screws and latch.



Vintage 1900 Collection

- A B056553-14
- B B056714-14
- C B056554-14
- D B056555-14
- E B056649-14





STUDIO II INSPIRATION

Contemporary pieces are characterized by clean, sleek lines that are emphasized through basic shapes and forms. This striking style is on par with modern cosmopolitan trends and Euro-Modern artistry.



Studio II Collection

- A Bo55555-SN
- B Bo55577-SN
- C Bo55550-SN
- D Bo55551-SN
- E Bo55552-SN
- F Bo55554-SN
- G Bo55568-SN



CH - Chrome



14 - Polished Nickel



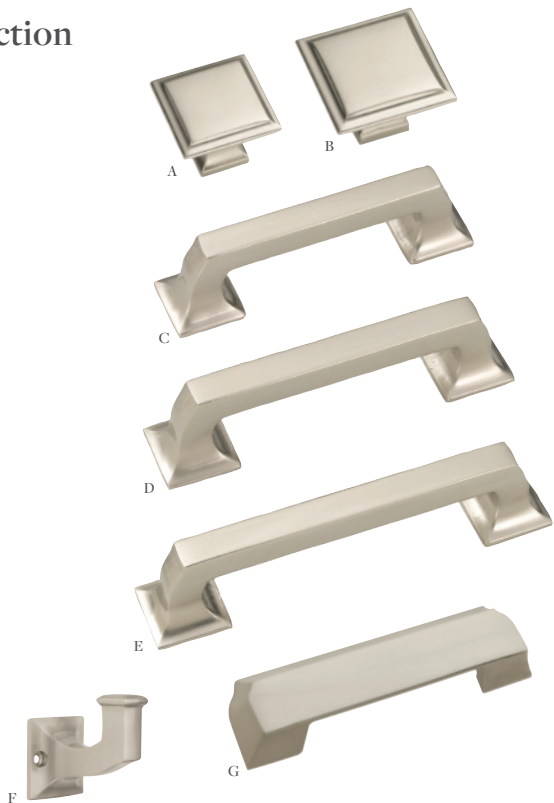
SN - Satin Nickel



04 - Satin Brass



OBH - Oil-Rubbed
Bronze Highlighted





CONTEMPORARY BAR PULLS INSPIRATION

Minimalist design in finishes which add the perfect accent to your cabinets. Pulling together a sense of elegance through uniformity that is sensible to any environment.

Contemporary Bar Pulls Collection

- A B074878-SS
- B B074879-SS
- C B074880-SS
- D B074881-SS
- E B074882-SS
- F B074883-SS
- G B074884-SS
- H B074877-SS
- I B074876-SS
- J B074875-SS
- K B074874-SS
- L B074873-SS
- M B055191-SS

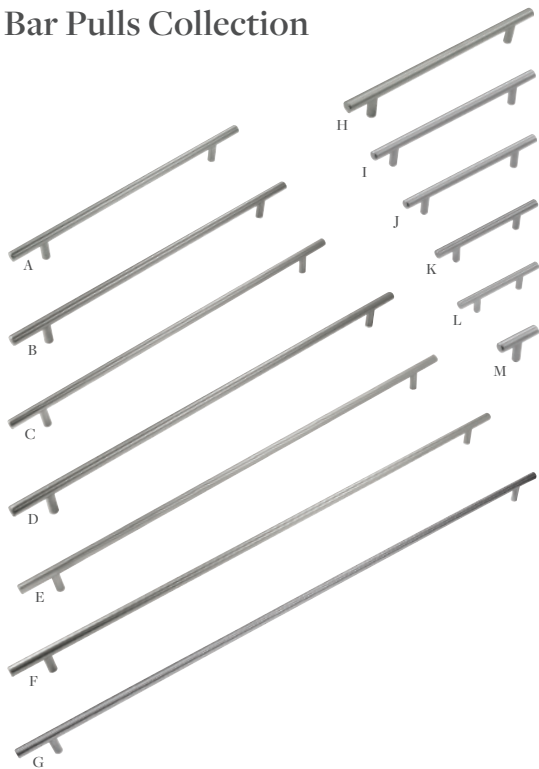


SS - Stainless Steel



RLB - Royal Brass

*RLB part numbers may vary, visit belwithkeeler.com for more info.





VERONA INSPIRATION

Duomo di Verona, the Roman Catholic Cathedral in northern Italy, was the inspiration for our Verona collection. With ridges of elegance in european style, designed with curvy shapes and footings full of mediterranean character.



Verona Collection

- A B053163-SN
- B B055546-SN
- C B055547-SN
- D B055548-SN
- E B055549-SN



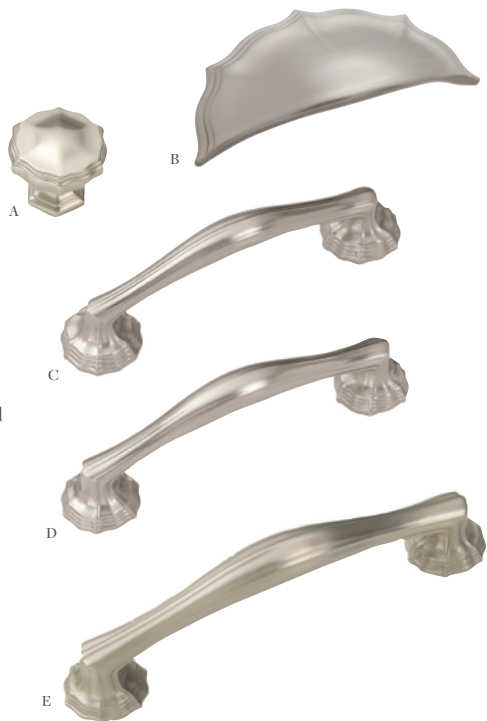
SN - Satin Nickel

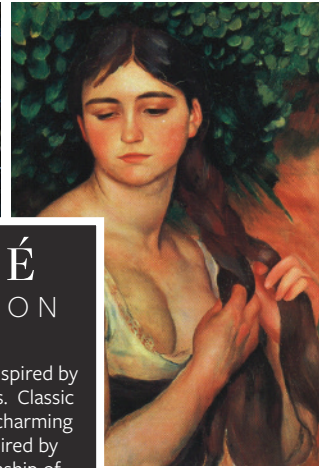


OBH - Oil-Rubbed
Bronze Highlighted



APN - Antique Pearl Nickel





TRESSÉ

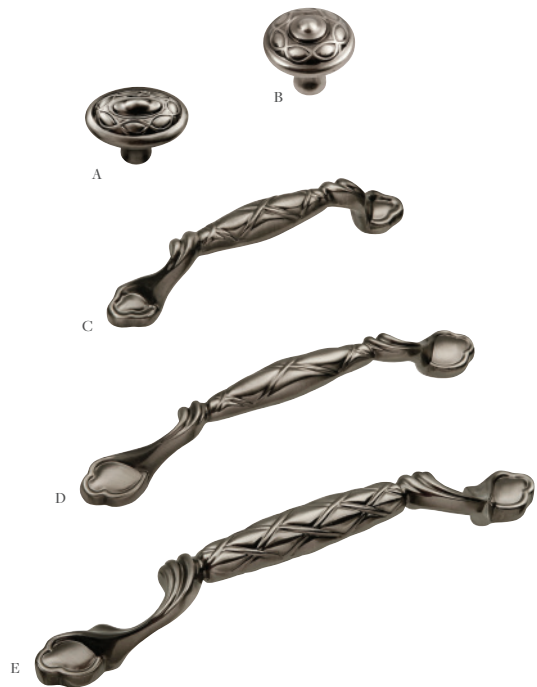
INSPIRATION

French country design inspired by quilted & braided shapes. Classic country stylings have a charming handmade quality inspired by the practical craftsmanship of the past, adding elegant lines and sophisticated movement.



Tressé Collection

- A B073248-ANN
- B B073252-ANN
- C B073249-ANN
- D B073250-ANN
- E B073251-ANN



View all collections in their entirety at
www.belwithkeeler.com



Refining Elegance Since 1893™



800.235.9484 | belwithkeeler.com | 76576