

KONICA MINOLTA



bizhub design:
put more power at the
center of your workflow

bizhub 362
bizhub 282
bizhub 222

CONNECT_

COMMUNICATE_

CONTROL_

bizhub 362



bizhub 362

bizhub 362/282/222:

your revolutionary central business resource

Business runs on information. Every task demands greater input. Faster output. More flexible ways to save, share and store. To keep on top of the curve (and ahead of your competition), you need bizhub.

The bizhub 362/282/222 is built for uncompromising productivity in monochrome print/copy/scan performance. With built-in print control. Fast, simple throughput. Flexible document storage and distribution. Scalable options for on-demand finishing. And all the security and software you need in today's networked workflow.

This bizhub series is also designed to look great in the center of your office, where everyone can access its document resources. And it's built for workhorse power — the kind you can count on even at times of peak document traffic.

bizhub Only from Konica Minolta

Designed to be where the action is. Why hide away your document resource? Easier center-office access will help all your staff to be more productive — and with sleek dark color design, the bizhub 362/282/222 deserves its place at the hub of your workflow.

Simple keypad operation. Even first-time or part-time users will find that the bizhub 362/282/222 is simple, logical and efficient — with user-friendly controls, simple menus and on-screen keypad to make copying, printing, scanning, even optional fax functions quick and easy to master.

Universal access for all. A tiltable control panel design makes bizhub access easy for wheelchair-bound employees, in compliance with Section 508. Versatile configuration and smooth sliding paper drawers also enable easy loading.

The beauty of green technologies. With power saving mode, high toner yield

and green manufacturing technologies, all three bizhub 362/282/222 models are designed to safeguard the environment — a result of Konica Minolta's practice of assessing environmental impact throughout the life cycle of every product.

Industry-leading support. The bizhub 362/282/222 is designed for workhorse productivity — and with Konica Minolta's nationwide service network and online support capabilities to back you up, you'll have print/copy/scan/fax performance you can really count on.

bizhub 362/282/222: your networkable document delivery system

To keep pace with today's fast-paced flow of information, you need more than a printer/copier. You need a central document resource that helps individuals, workgroups, and offices large and small work faster by receiving, managing and distributing information with greater ease and flexibility.

With built-in print/copy/scan control, each bizhub 362/282/222 model gives you digital document power right from the start — to handle information in digital form, and make prints and copies only when you need them.

With bizhub, you'll also have a right-size solution that's perfect for your needs — with the speeds, feeds and finishing capabilities that are most cost-efficient for your application.



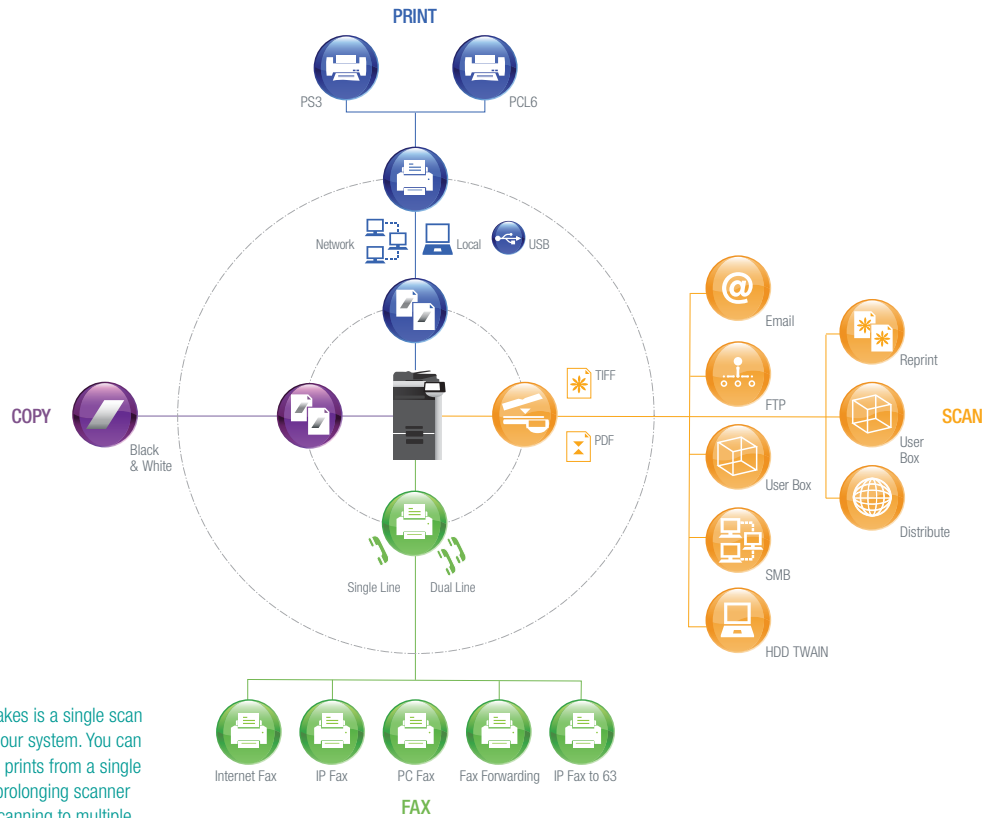
The perfect fit for your workflow. What's right for your business is right for your bizhub — and whether you're a mid-size business or a small office, a busy workgroup or a branch location, you'll have output speed and monthly duty cycle that suits your specific demands. The bizhub 362 provides high-speed 36 page-per-minute monochrome output with a high-volume 150,000 page monthly duty cycle; the bizhub 282 gives you 28 pages per minute plus 120,000 pages per month, and the affordable bizhub 222 provides 22 page-per-minute output with 60,000 pages per month.

▶ **All-in-one functionality.**

The bizhub 362/282/222 gives you the extra power of true "multifunctional products" — today's most important digital innovation for workflow productivity. With bizhub, information can move more quickly, in more directions, in whatever form is best for any application.

▶ **The built-in Emperon® print system.**

With the bizhub 362/282/222, print/scan functionality is built-in — not add-on. The advanced Emperon Print System gives you point-and-click PC control of printing, finishing, scanning and electronic distribution of documents — and all three models are optimized for both Windows and Mac environments with PCL6/PS3 emulation.



Memory scanning. All it takes is a single scan to bring information into your system. You can make multiple copies and prints from a single scan, saving energy and prolonging scanner life — and fast, flexible scanning to multiple destinations lets you move documents to destinations without extra steps.

Direct to your destination. You can Scan to Email, attaching documents as PDF or TIFF files. Scan to FTP, for quick document access at any PC on your network. And Scan to SMB, sending files to shared folders on desktop PCs.

Simultaneous distribution. With bizhub Send function, you can also perform multiple tasks with minimum keystrokes — for example, scanning, Emailing and faxing while simultaneously saving the file to SMB or FTP.

High-volume fax option. To complete your all-in-one functionality, a Super G3 fax option gives you separate on-screen menus to control fax functions — IP address faxing, PC faxing, auto forwarding, batch transmission, delayed transmission and quick access to hundreds of auto-dialing locations, with a dual-line option to double your fax input capability.



bizhub 222

bizhub 282

bizhub 362

bizhub 362/282/222:

your in-house printing and distribution center

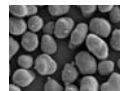
Time-sensitive projects demand the power to print in-house — with the speed, quality and flexibility that lets you match the precise needs of every report, presentation, business form, training manual, human resource document or corporate communications program you undertake.

With scalable options, the bizhub 362/282/222 can help you get more jobs done faster and better — reducing the need for high-cost outside print services and also allowing you to eliminate redundant desktop devices.

You'll also have high-volume monochrome printing that really saves money — and with tight budgets and quick deadlines, in-house B&W printing will remain essential for years to come.



Pulverized Toner



Simitri® Polymerized Toner



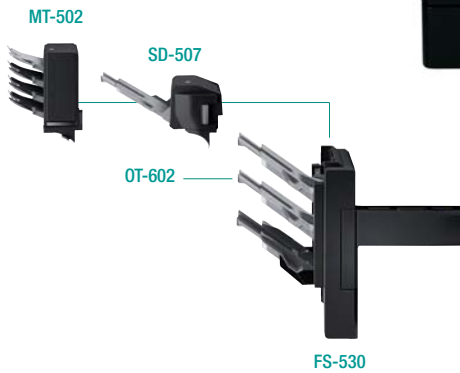
Simitri

Simitri® Polymerized Toner. Great-looking prints and copies begin with Konica Minolta's exclusive Simitri toner technology — finer, more uniform particles that sharpen edge details, improve monochrome halftone definition and make even small-size text more legible.



Modular auto finishing options.

Printing documents in-house and on-demand can save you time and money, make revisions more cost-efficient, even eliminate the need to store excess printed sheets. And the bizhub 362/282/222 gives you modular finishing options for every document need: sorting and grouping, multi-position stapling, 2/3-hole punching, even 60-page booklet-making.



More paper when you need it. Want long unattended print/copy runs? With the bizhub 362/282/222, you can load up to 3,650 sheets using two standard 500-sheet paper drawers, a letter-size large-capacity cabinet and an intelligent 150-sheet manual bypass tray. The manual bypass handles up to 110 lb. index stock — and lets you scan or duplex originals up to 11" x 17" in size.



Document Handling Options

- ▶ **DF-620 Reversing Automatic Document Feeder** provides 80-sheet capacity, feeds documents at up to 70 originals per minute.
- ▶ **OC-510 Original Cover** for use in place of auto document feeder.
- ▶ **FS-530 Base Finisher** gives you multi-position stapling of up to 50 sheets.
- ▶ **JS-502 Job Separator Tray** for use when no finisher is attached.

Finishing Options

- ▶ **SD-507 Saddle Stitcher** lets you saddle-stitch and center crease-fold finished booklets.
- ▶ **MT-502 Mailbin Kit** gives you printer-addressable bins to separate print output.
- ▶ **PU-501 Punch Kit** adds 2/3-hole punch capability to your system.
- ▶ **OT-602 Additional Output Tray** provides more sorting options.

Paper Supply/Cabinet Stand Options

- ▶ **PC-108 Paper Feed Cabinet** holds up to 500 sheets with additional storage space below.
- ▶ **PC-206 Paper Feed Cabinet** provides two 500-sheet paper drawers.
- ▶ **PC-407 Large Capacity Cabinet** holds 2,500 sheets of letter size paper, increasing maximum paper capacity of your bizhub system to 3,650 sheets.
- ▶ **DK-506 Copy Desk** adds storage space in stand-alone configuration.

Additional Options

- ▶ **HD-504 40 GB Hard Disk Drive** provides additional memory, copy, print and scan functions.
- ▶ **FK-503 Fax Kit** with Super G3 transmission speed and advanced features for high-volume traffic.
- ▶ **ML-502 Multi-Line Fax Kit** lets you add a second fax line to increase input/output capabilities.
- ▶ **SC-504 Security Kit** adds another layer of security to an already highly secure device by encrypting all data stored on the hard drive.
- ▶ **EK-502 Parallel Interface Kit** provides a parallel interface connection for legacy local printing systems.

For more details in regards to product options and configuration, please see the bizhub 362/282/222 configuration sheet.

bizhub 362/282/222: your scalable solution in security and software

Today's networked workflow places greater security and software demands upon your equipment — so Konica Minolta has given the bizhub 362/282/222 a broad array of security protections and software utilities to safeguard sensitive data, control access and manage devices.

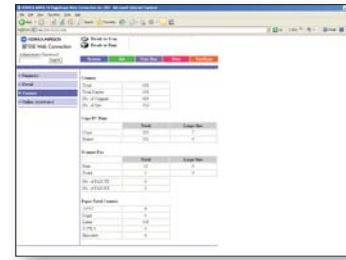
The PageScope software suite is also designed for seamless networking and control integration — helping IT professionals handle a growing workload from a single point with greater speed and convenience.

Revolutionary design. Superb quality. Networkable connectivity. That's the bizhub 362/282/222 — only from Konica Minolta.

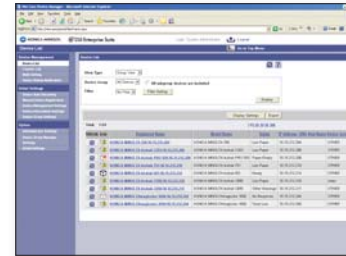
bizhub Secure Print. Lets you set password security locks in place on sensitive documents — job estimates, employee evaluations, salary reports, business forecasts and sales figures.



- ▶ **IP Filtering.** Registers the IP addresses of PCs that are allowed access to your documents.
- ▶ **HDD Lock.** Applies password-protection locking to the hard disk drive of your bizhub, preventing it from being read even when removed.
- ▶ **User Authentication.** Custom-selectable for printing, scanning, faxing and User Box functions — with users identified based on the Active Directory Server, NTLM V1 Server, NDS Server or built-in bizhub authentication functions.
- ▶ **Job Erase.** Job-by-job data erasing automatically overwrites your HDD up to three times, in compliance with standards for the U.S. Department of Defense (DoD 5220.22-M).
- ▶ **HDD sanitizing.** Erases all data on the HDD, overwriting data in compliance with U.S. military and international security standards — including seven-times overwrite protection (U.S. Air Force method: AFSSI5020).



PageScope® Web Connection



PageScope® Net Care Device Manager



Powerful PageScope® software. The bizhub 362/282/222 incorporates a full suite of PageScope software solutions for web-based monitoring and network control, integrated IP addressing and security, enterprise-system integration, personal document management and more.

▶ **Check settings from your desktop.**

PageScope Web Connection lets you easily check device status, paper supply, toner level and copy count — even change settings, perform network configuration and more.

▶ **Control multiple devices.**

PageScope Net Care Device Manager helps you control all your connected MIB-compliant devices without leaving your desk. Even better, you can download total meter counts to an Excel spreadsheet.

▶ **Manage address and security data.**

PageScope Data Administrator™ lets you import one-touch Email addresses and security data, maintaining uniform settings throughout your network and managing your devices locally without making adjustments at the control panel of each device.



**PAGESCOPE
SOFTWARE**

bizhub 362/288/222: general specifications



bizhub 222



bizhub 282



bizhub 362

TYPE:	Digital Printer/Copier/Scanner/Fax		
IMAGING SYSTEM:	Simitri® Polymerized Toner		
SCANNING SYSTEM:	CCD Line Sensor		
PRINT/COPY SPEED:	22 ppm (letter) 8-1/2" x 11" portrait 19 ppm (letter) 8-1/2" x 11" landscape 16 ppm (legal) 8-1/2" x 14" 14 ppm (ledger) 11" x 17"	28 ppm (letter) 8-1/2" x 11" portrait 23 ppm (letter) 8-1/2" x 11" landscape 19 ppm (legal) 8-1/2" x 14" 16 ppm (ledger) 11" x 17"	36 ppm (letter) 8-1/2" x 11" portrait 29 ppm (letter) 8-1/2" x 11" landscape 23 ppm (legal) 8-1/2" x 14" 20 ppm (ledger) 11" x 17"
MONTHLY DUTY CYCLE:	120,000 pages		
PRINT/COPY RESOLUTION:	True 600 x 600 dpi		
HALFTONE REPRODUCTION:	256 gradations		
MEMORY:	192 MB (32 MB for files, 170 pages) (standard), 40 GB (maximum) (optional)		
WARM-UP TIME:	14 seconds (from Sub Power On), 24 seconds (from Main Power On)		
FIRST COPY:	5.3 seconds or less	5.3 seconds or less	4.8 seconds or less
COPY QUANTITY:	1 – 999 copies (countdown, interrupt capability)		
MAGNIFICATION:	Zoom range: 25 – 400%, 0.1% increments, Preset reduction: 93%, 79%, 73%, 65%, 50%, Preset enlargement: 121%, 129%, 155%, 200%		
EXPOSURE MODES:	Auto, Text, Photo, Text/Photo, Manual		
ORIGINAL SIZE:	Up to 11" x 17" maximum		
PAPER SIZE:	5-1/2" X 8-1/2" to 11" x 17"		
PAPER WEIGHT:	15 lb. to 24 lb. bond, Manual bypass: 24-1/4 lb. to 55-3/4 lb. bond; specialty paper (thick paper, OHP transparencies, postcards, envelopes, label sheets)		
STANDARD PAPER SUPPLY:	500-sheet Universal Paper Drawers (2), 150-sheet Intelligent Bypass		
OPTIONAL PAPER SUPPLY:	500-sheet Universal Paper Cabinet (1 paper drawer plus storage drawer), 1,000-sheet Universal Paper Cabinet (two 500-sheet drawers), 2,500-sheet Large Capacity Cabinet		
MAXIMUM PAPER CAPACITY:	3,650 sheets (total, with options)		
DOCUMENT FEEDER:	DF-620 Reversing Auto Document Feeder (optional), Capacity: 80 sheets, Speed: up to 70 scans per minute, Original size: up to 11" x 17", 1-sided, 2-sided originals, Mixed Original Detection		
POWER REQUIREMENTS:	120 V, 60 Hz, 11.5 A		
POWER CONSUMPTION:	1380 W (max.)		
DIMENSIONS (W x D x H):	26-3/4" x 28" x 28-1/4"		
WEIGHT:	163 lbs.		
OPTIONS:	DF-620 Reversing Automatic Document Feeder DK-506 Copy Desk EK-502 Local Interface Kit (IEEE Parallel) EM-303 32 MB Expanded Memory EM-304 64 MB Expanded Memory EM-305 128 MB Expanded Memory FK-503 Fax Kit FS-530 Base Finisher (50 Sheets Stapling) HD-504 40 GB Hard Disk Drive JS-502 Job Separator Tray ML-502 Fax Dual Line (requires FK-503) MT-502 Mailbin Kit OC-510 Original Cover OT-602 Output Tray PC-108 Universal Paper Feed Cabinet (500 sheets, statement to ledger size, plus storage drawer) PC-206 Universal Paper Feed Cabinet (500 sheets x 2, statement to ledger size) PC-407 Large Capacity Cabinet (2,500 sheets, letter portrait) PU-501 Punch Unit Kit SC-504 HDD Encryption Kit SD-507 Saddle Stitcher (15 Sheet, 60 Page Booklet) SP-501 Stamp Unit (requires FK-503) Spare TX Marker Stamp 2 (requires FK-503)		



bizhub 222



bizhub 282



bizhub 362

PAGESCOPE APPLICATIONS:

	Network & Device Management:
	PageScope HDD Backup Utility
	PageScope Web Connection
	PageScope Net Care Device Manager
	PageScope Network Setup
	PageScope EMS Plug-Ins
	PageScope NDPS Gateway
	PageScope Data Administrator
	PageScope Driver Packaging Utility
	bizhub vCare
	User Tools:
	PageScope Box Operator
	PageScope Print Status Notifier
	PageScope Web Print Assistant

AVAILABLE PRINT/COPY FUNCTIONS:

	Account Track (up to 1,000 accounts), APS/AMS, Auto Duplex, Stackless, Auto/Manual/Photo Exposure, Auto Tray Switching, Black-White Reverse, Book Copy, Book Erase, Booklet Function, Box Function (stores copy jobs, print jobs, fax data, print stored data, route scanned data), Combined Copy Setting (2-in-1, 4-in-1), Copy Job Reserve (queue) (5 jobs), Copy Programs (Mode Memory) (10 jobs), Cover Mode, Criss/Cross Sorting, Distribution Number and Stamping, Energy Save Mode, Erase (Edge/Frame), File Margin, Hole-Punching (2/3 hole), Horizontal/Vertical Zoom Ratios (XY magnification), Image Overlay, Image Repeat, Image Rotation, Interrupt Mode, Mixed Original Detection, OHP Interleave, Page Insertion, Proof Copy, Separate Scanning, Sleep Mode Recovery, Stapling (single, multi-position, center), Text, Photo, Text/Photo, Dot Matrix Modes, Zoom
--	---



Emperon Print System (standard):

TYPE:	Embedded
PROCESSOR:	400 MHz
MEMORY:	192 MB (standard)
NETWORK INTERFACE:	RJ45 (Ethernet 10-BaseT/100-BaseTX) + USB 1.1/2.0 Port (standard), Parallel (IEEE 1284 compatibility) (optional)
NETWORK PROTOCOLS:	TCP/IP, IPX/SPX, SMB, LPD, IPP1.1, Apple Talk (Ether Talk), LPR, Netware (4.x, 5, 6), NDPS, SMTP, POP3, LDAP, SSL, SNMP, HTTP 3.0
SCANNING FUNCTIONS:	Scan-to-Email, Scan-to-FTP, Scan-to-HDD (with optional HDD), Scan-to-SMB (Scan-to-Desktop), Network HDD TWAIN
PRINT DRIVERS:	PCL6 emulation: Windows NT 4.0 (SP6a), Windows 2000 (SP4 or later), Windows XP (SP2 or later), Windows Server 2003, Windows Server 2008, Windows Vista 32-bit, 64-bit PostScript 3 emulation: Windows NT 4.0 (SP6a), Windows 2000, Windows XP (SP2 or later), Windows Server 2003, Windows Server 2008, Windows Vista 32-bit, 64-bit Mac OS 9.2 (PPD file), Mac OS X 10.2, 10.3, 10.4 or 10.5

FK-503 Fax Option Specifications

COMMUNICATION LINE:	Public Switched Telephone Network (PSTN)
COMPATIBILITY:	G3, Super G3
DATA COMPRESSION:	MH, MR, MMR, JBIG
MODEM SPEED:	33.6 kbps (max; auto fallback)
TRANSMISSION SPEED:	Less than 3 seconds per page
SCANNING SPEED:	Up to 70 sheets per minute (with DF-620 Reversing Auto Document Feeder option)
FAX RESOLUTION:	200 x 100 dpi, 200 x 200 dpi, 400 x 400 dpi, Text Photo (200 x 200 dpi), Grayscale (200 x 200 dpi), Super Grayscale (400 x 400 dpi)
MEMORY:	32 MB
FAX TRANSMISSION/RECEPTION SIZE:	Up to 11" x 17"
DIALING:	540 one-touch dialing locations
BROADCAST:	300 destinations
OTHER FACSIMILE FUNCTIONS:	IP Address Faxing, IP Relay Fax, PC Fax Driver

bizhub



Simitri



© 2009 KONICA MINOLTA BUSINESS SOLUTIONS U.S.A., INC. All rights reserved. Reproduction in whole or in part without written permission is prohibited. Konica Minolta and The essentials of imaging are trademarks of KONICA MINOLTA HOLDINGS, INC. bizhub, Emperon and PageScope are registered trademarks of KONICA MINOLTA BUSINESS TECHNOLOGIES, INC. Simitri is a registered trademark of KONICA MINOLTA BUSINESS SOLUTIONS. All other brands and product names are registered trademarks or trademarks of their respective owners.

Design and specifications are subject to change without notice.

Some functions may require options, which may or may not be available at time of launch.



KONICA MINOLTA

KONICA MINOLTA
BUSINESS SOLUTIONS U.S.A., INC.
100 Williams Drive
Ramsey, NJ 07446

www.kmbs.konicaminolta.us
www.kmbs.konicaminolta.us/solutions

