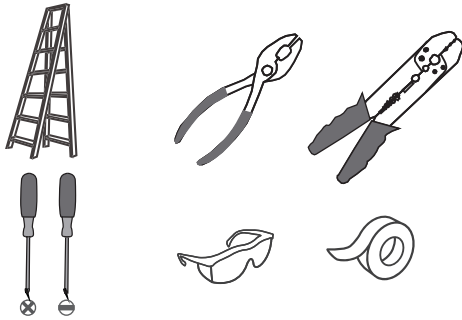
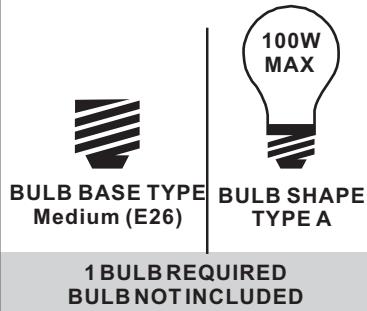


Tools Required



Light Source



Fixture Height Adjustable 17.5" to 53.5"

⚠ Warnings and Cautions

Turn off the electricity at the circuit breaker before installation. Consult a licensed electrician if in doubt about installation.

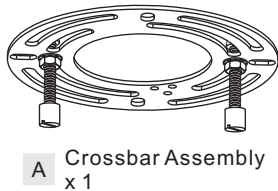
Turn off power to the fixture and allow the bulbs to cool before replacing.

Package Contents

Preparation: Identify and inspect all parts before beginning the installation.

Missing or damaged parts? Contact your original place of purchase.

PARTS BAG



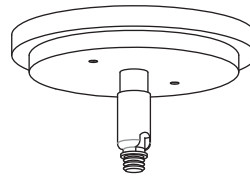
A Crossbar Assembly
x 1



B Outlet Box Screw
x 2



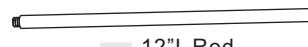
C Wire Connector
x 3



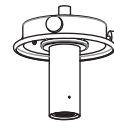
D Ceiling Canopy
x 1



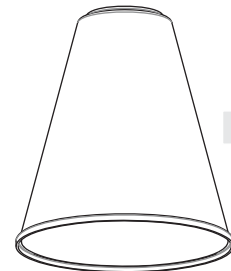
E 6" L Rod
x 2



F 12" L Rod
x 2



G Socket Assembly
x 1



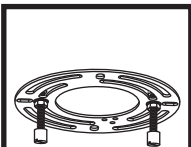
H Shade
x 1



I Ring
x 1

Table of Contents

Crossbar Assembly



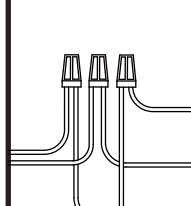
STEP 1

Downrod



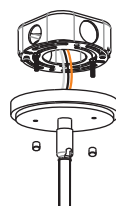
STEP 2

Wiring



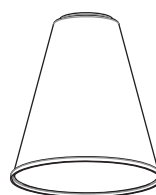
STEP 3

Ceiling Canopy



STEP 4

Glass Shade



STEP 5

Ring



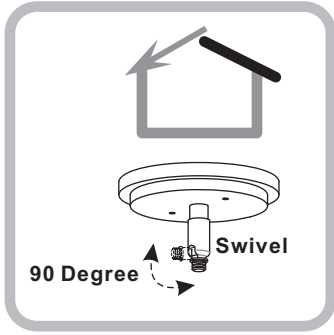
STEP 6

Bulb

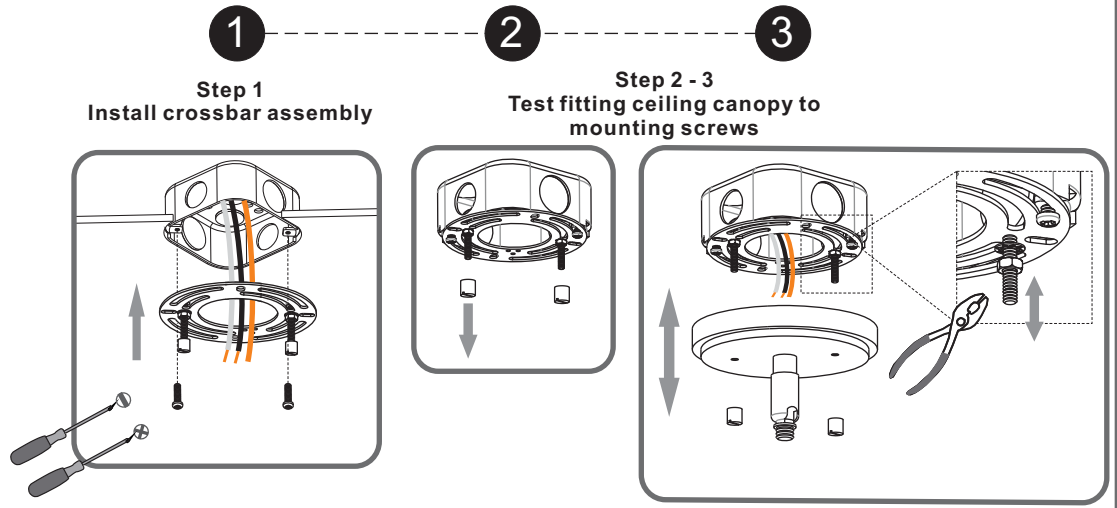


STEP 7

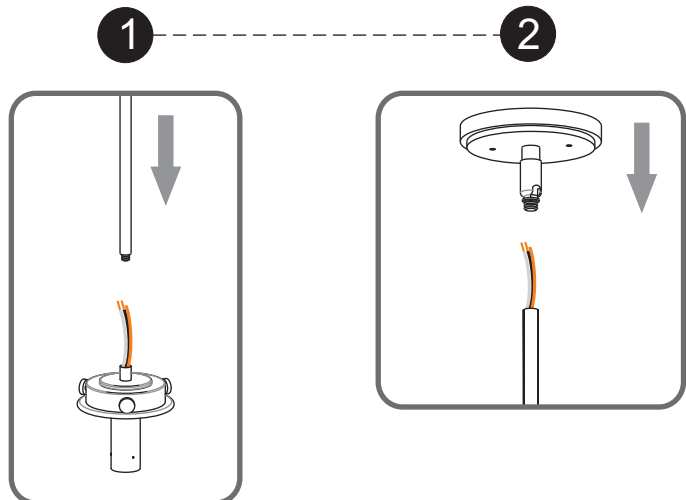
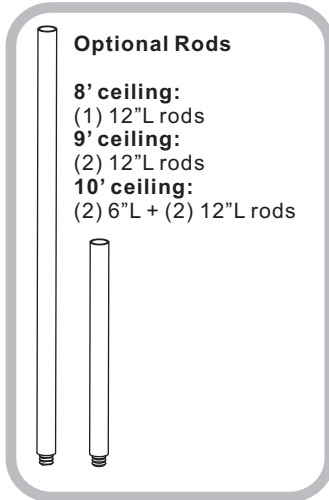
STEP 1



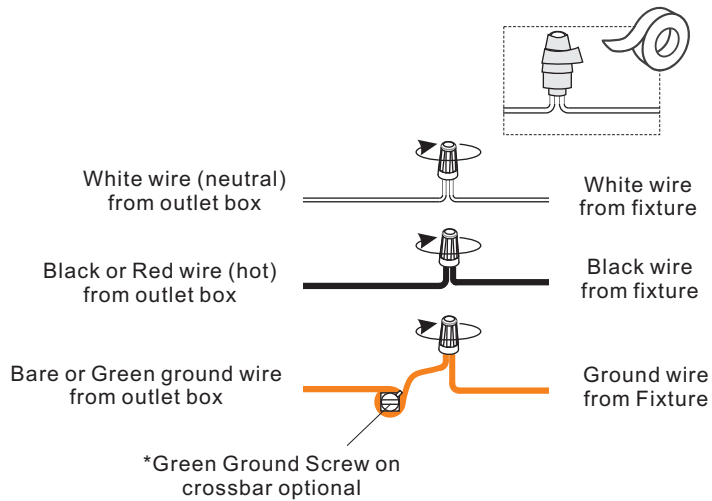
For angled ceilings,
Swivel opening towards wall.



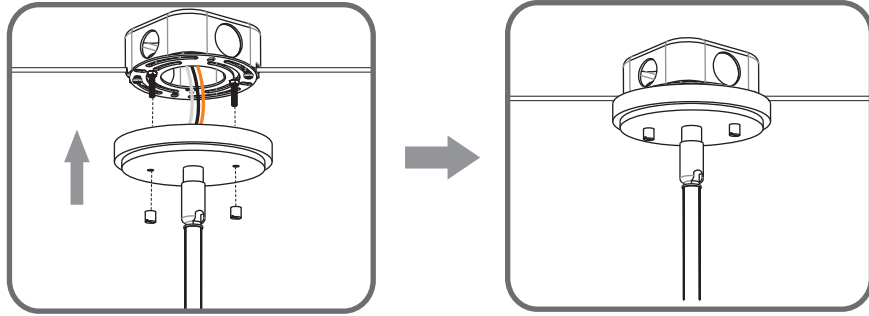
STEP 2



STEP 3



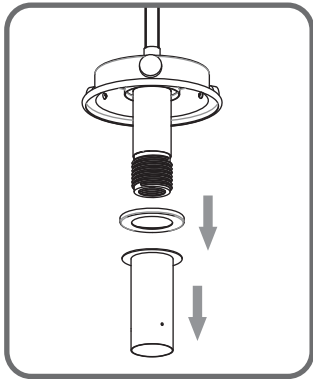
STEP 4



STEP 5

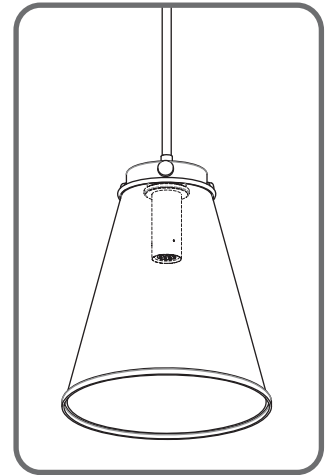
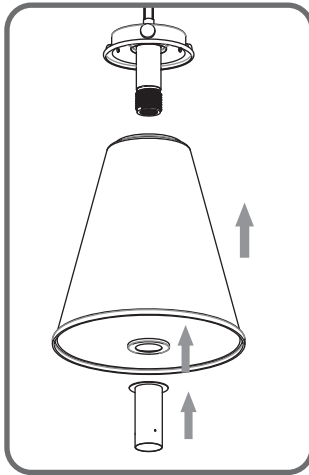
1

Remove socket collar and steel collar



2

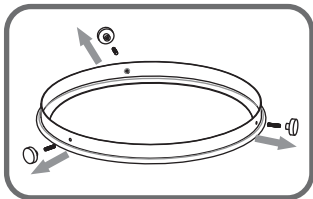
Install glass shade



STEP 6

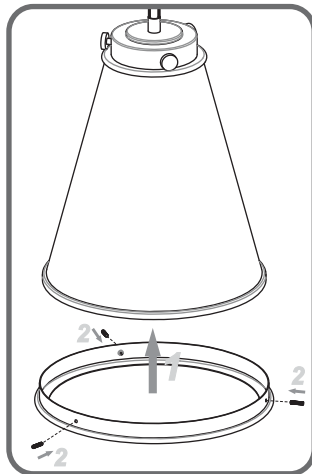
1

Remove lock balls, bolts from ring



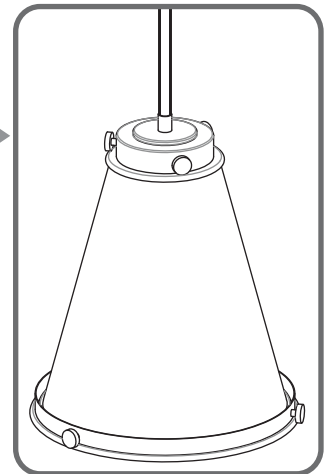
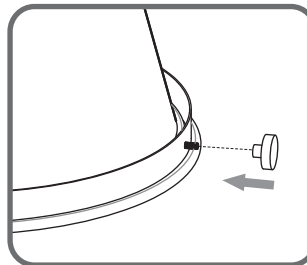
2

Install glass shade



3

Install lock ball



STEP 7

