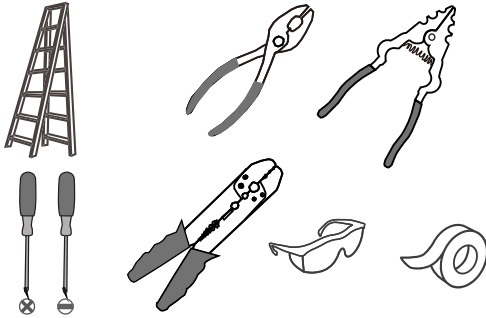
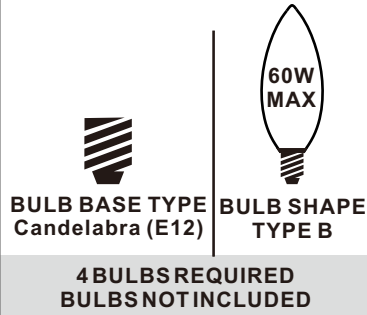


Tools Required



Light Source



Fixture Height Adjustable 12" to 67"

⚠ Warnings and Cautions

Turn off the electricity at the circuit breaker before installation. Consult a licensed electrician if in doubt about installation.

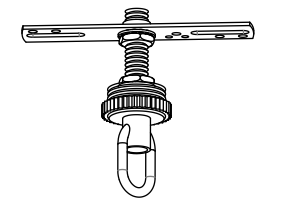
Turn off power to the fixture and allow the bulbs to cool before replacing.

Package Contents

Preparation: Identify and inspect all parts before beginning the installation.

Missing or damaged parts? Contact your original place of purchase.

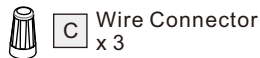
PARTS BAG



A Crossbar Assembly A
x 1



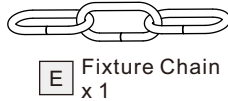
B Outlet Box Screw
x 2



C Wire Connector
x 3



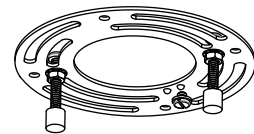
D Quick Link
x 2



E Fixture Chain
x 1



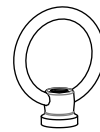
F Ceiling Canopy
x 1



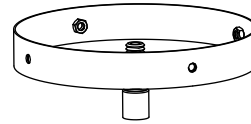
G Crossbar Assembly B
x 1



H Screw
x 2



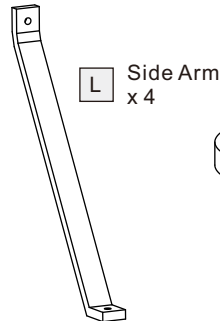
I Fixture Loop
x 1



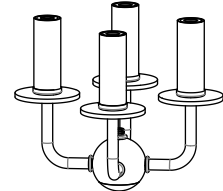
J Fixture Canopy
x 1



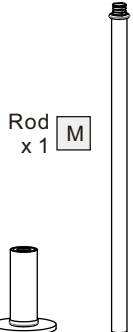
K Lock Screw
x 8



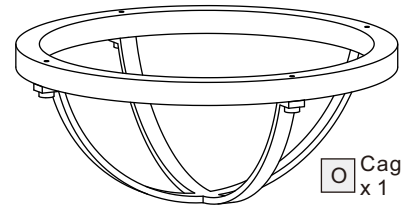
L Side Arm
x 4



N Socket Assembly
x 1



M Rod
x 1



O Cage
x 1

Table of Contents

Assembly Instructions for Chandelier Light (Step 1A - Step 8A)

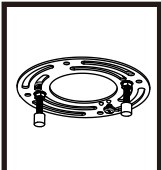
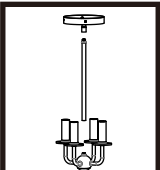
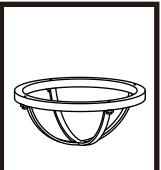
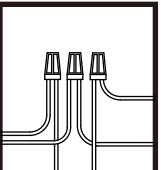
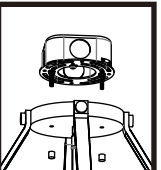
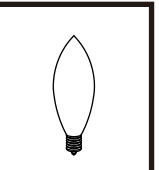
BRL2816EK

Mounting balls	Fixture Loop & Socket Assembly	Cage	Crossbar Assembly A
STEP 1A	STEP 2A	STEP 3A	STEP 4A
STEP 5A	STEP 6A	STEP 7A	STEP 8A
Fixture Chain	Wiring	Ceiling Canopy	Bulb

Table of Contents

Assembly Instructions for Semi-flush Light (Step 1B - Step 6B)

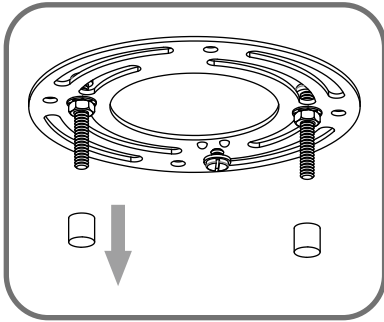
BRL1716EK

Crossbar Assembly B	Socket Assembly	Cage	Wiring	Fixture Canopy	Bulb
					
STEP 1B	STEP 2B	STEP 3B	STEP 4B	STEP 5B	STEP 6B

STEP 1A

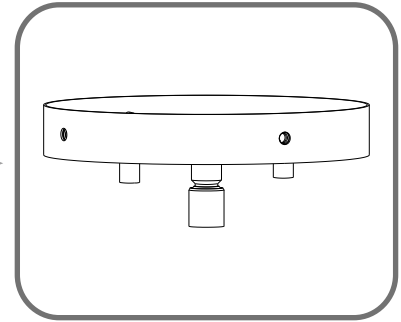
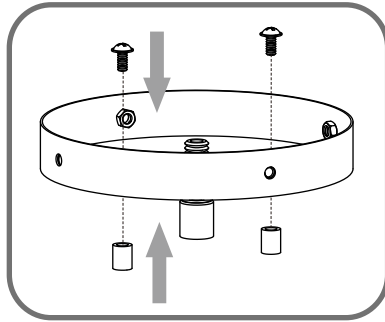
1

Remove mounting balls from crossbar assembly B



2

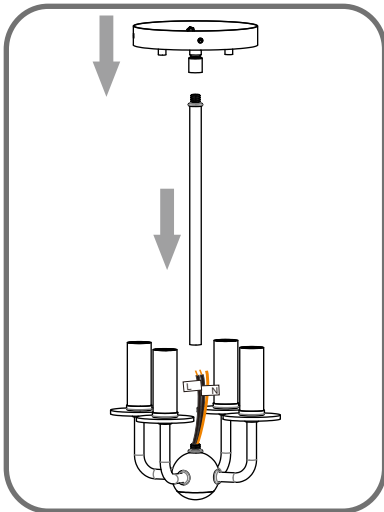
Install mounting balls to fixture canopy



STEP 2A

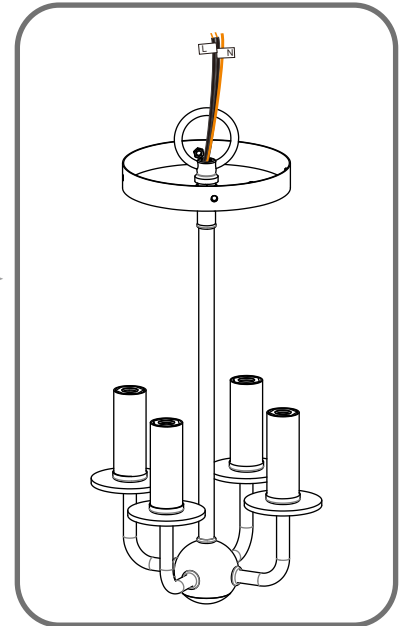
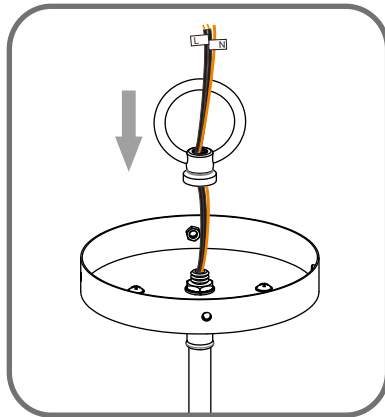
1

Install rod and fixture canopy

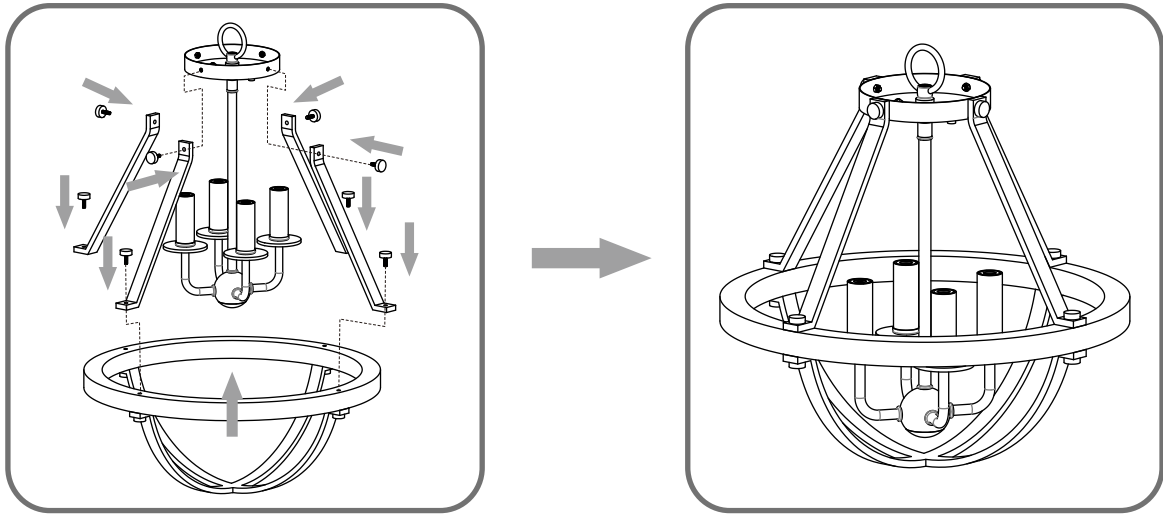


2

Install fixture loop



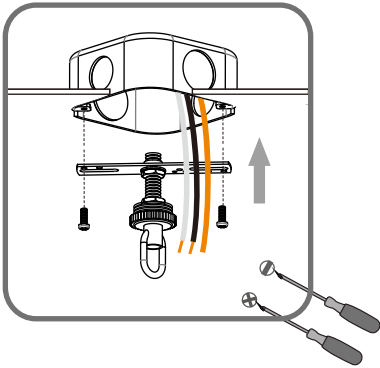
STEP 3A



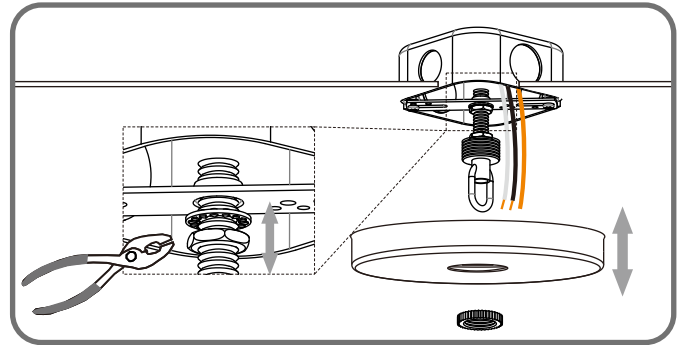
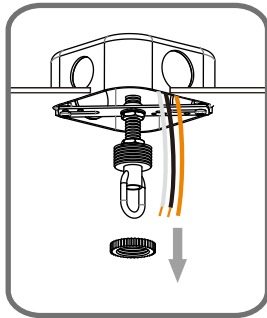
STEP 4A

- 1 ----- 2 ----- 3

Step 1
Install crossbar assembly



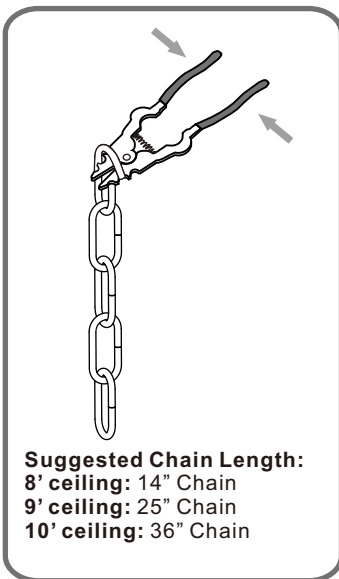
Step 2 - 3
Test fitting ceiling canopy to nipple



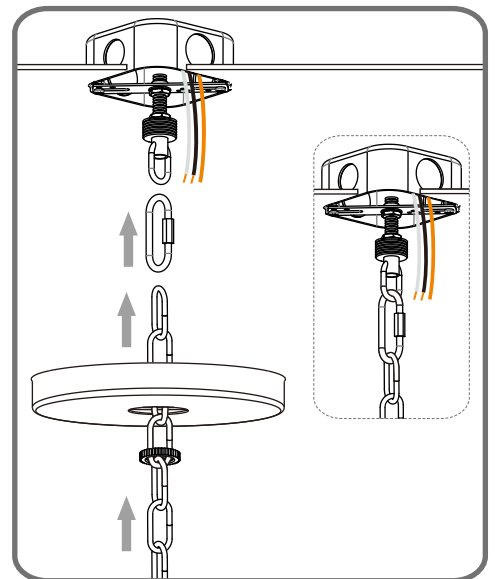
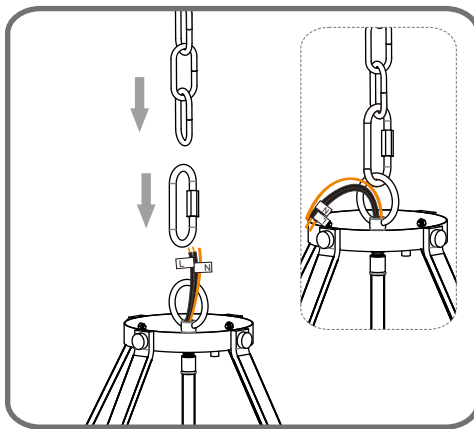
STEP 5A

- 1 ----- 2 ----- 3

Step 1
Adjust fixture chain length



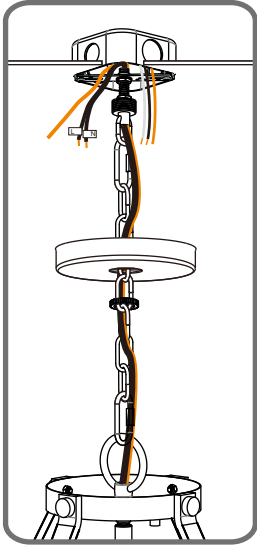
Step 2 - 3
Install Fixture Chain



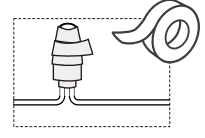
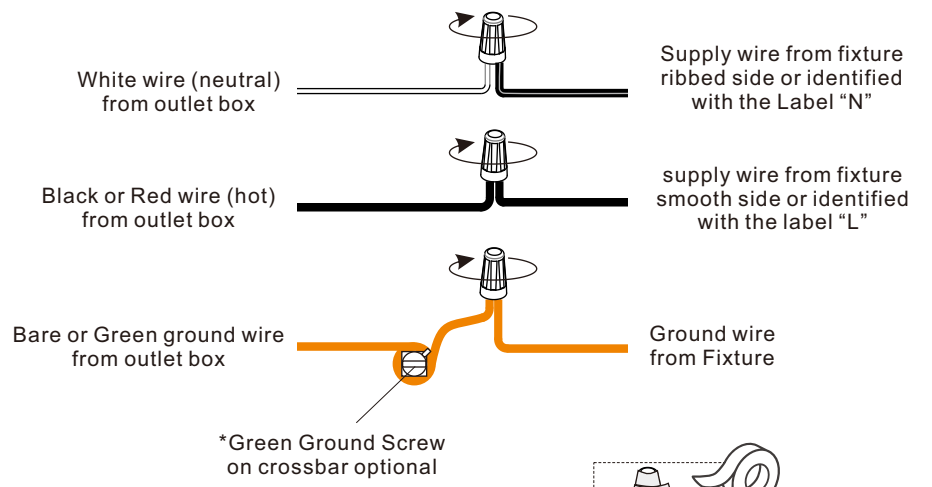
STEP 6A

1

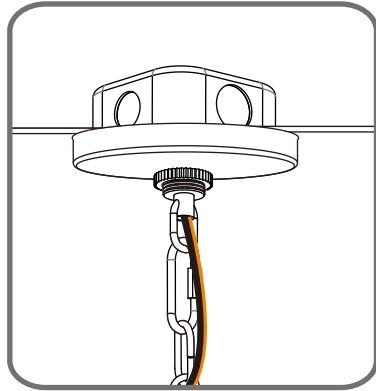
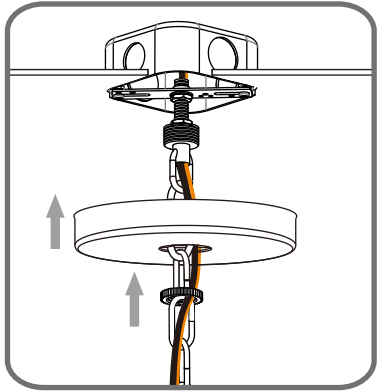
Step 1
Feed the fixture wires
through the loop



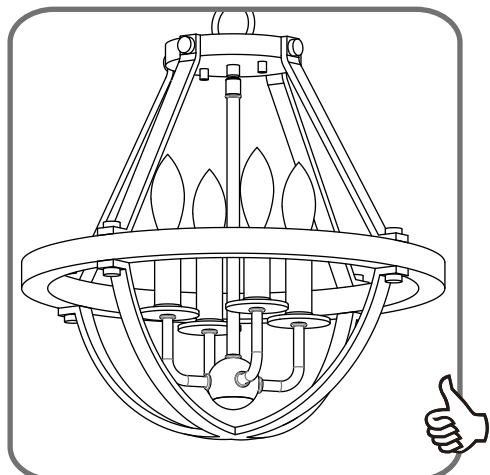
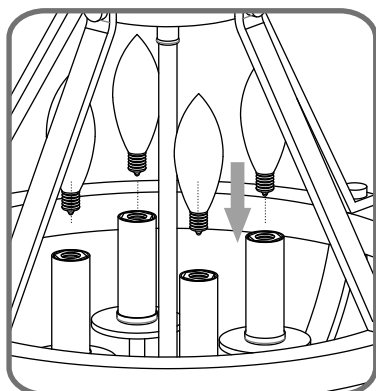
2



STEP 7A



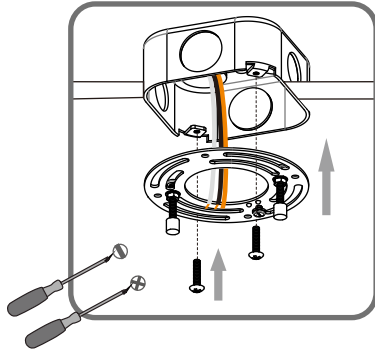
STEP 8A



STEP 1B

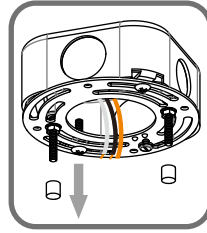
1

Step 1
Install crossbar assembly

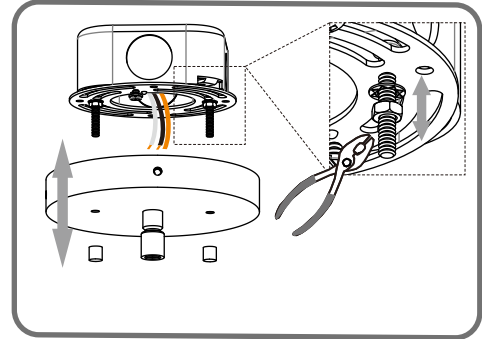


2

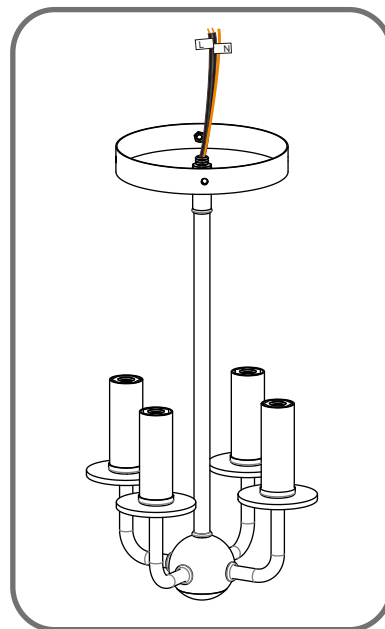
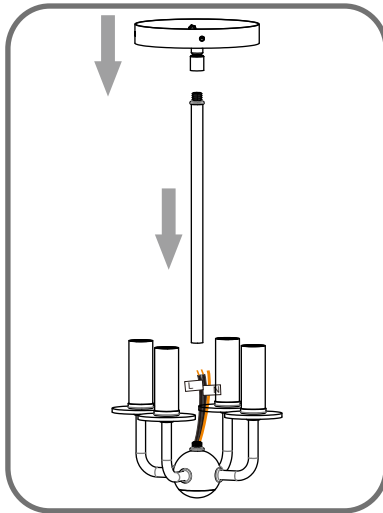
Step 2 - 3
Test fitting ceiling canopy to mounting screws



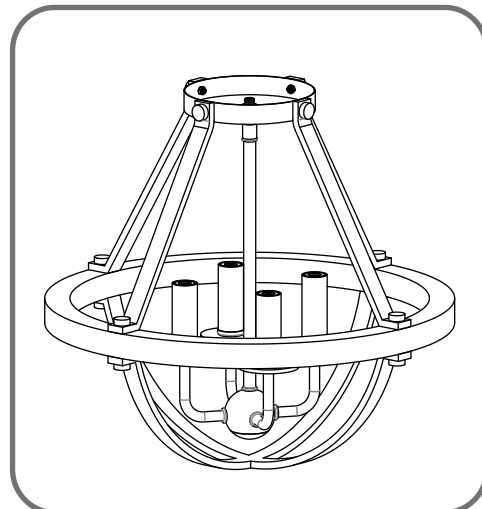
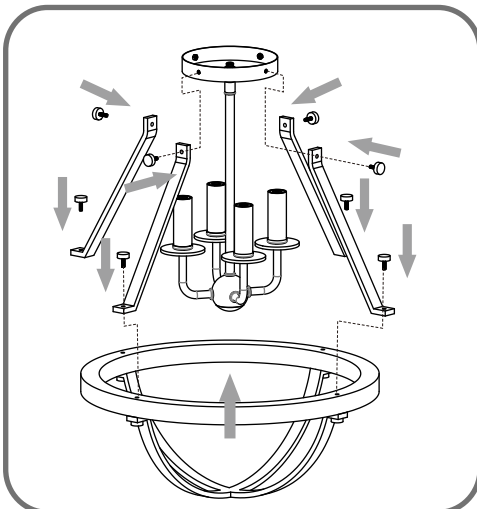
3



STEP 2B



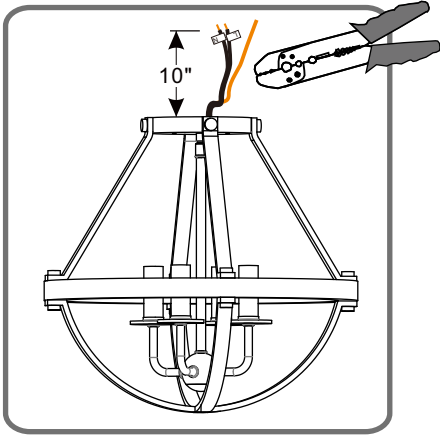
STEP 3B



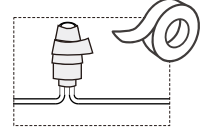
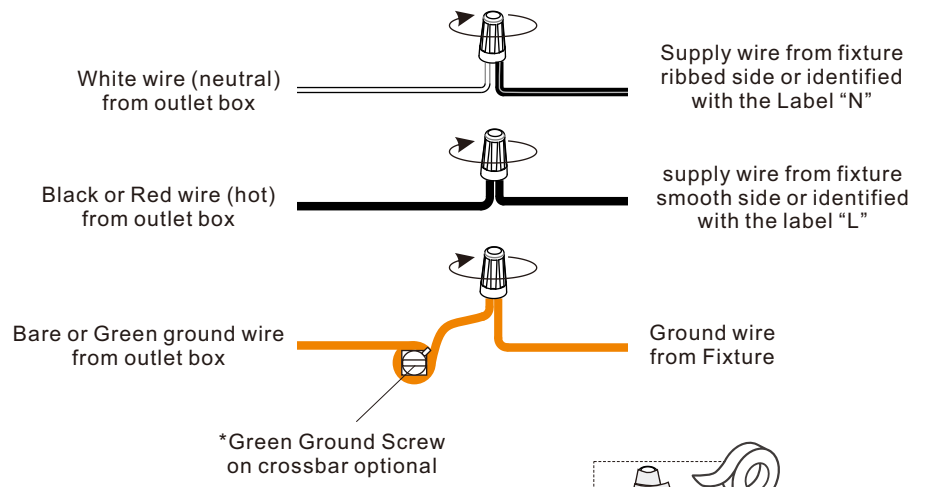
STEP 4B

1

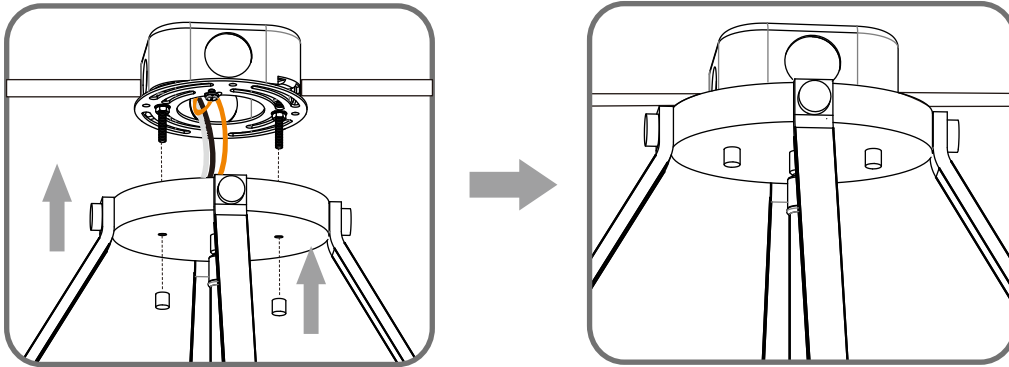
Step 1
Cut supply wires



2



STEP 5B



STEP 6B

