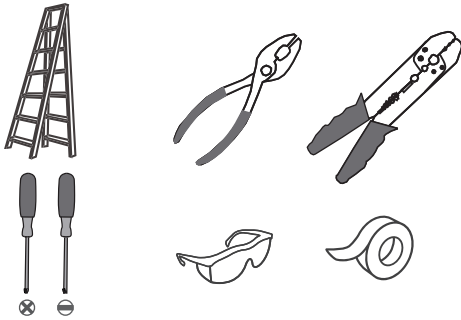
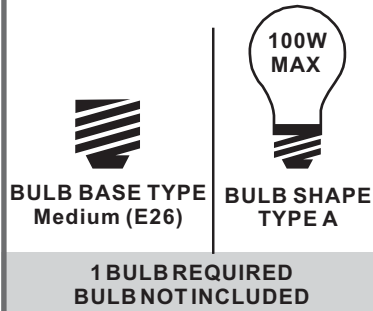


### Tools Required



### Light Source



### Fixture Height Adjustable 19.75" to 55.75"

#### ⚠ Warnings and Cautions

Turn off the electricity at the circuit breaker before installation. Consult a licensed electrician if in doubt about installation.

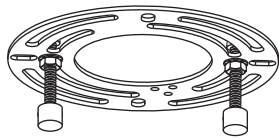
Turn off power to the fixture and allow the bulbs to cool before replacing.

### Package Contents

**Preparation:** Identify and inspect all parts before beginning the installation.

Missing or damaged parts? Contact your original place of purchase.

#### PARTS BAG



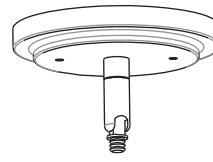
**A** Crossbar Assembly  
x 1



**B** Outlet Box Screw  
x 2



**C** Wire Connector  
x 3



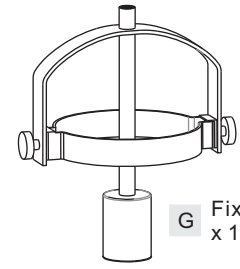
**D** Ceiling Canopy  
x 1



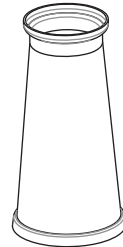
**E** 6" L Rod  
x 2



**F** 12" L Rod  
x 2

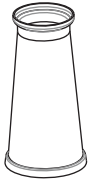


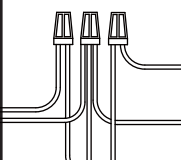




**G** Fixture Body  
x 1



**H** Shade  
x 1

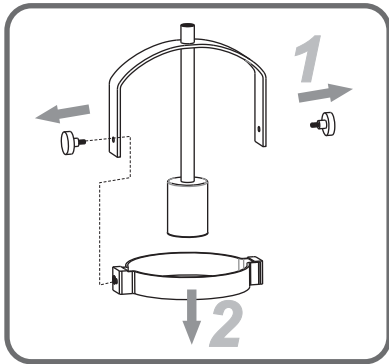
### Table of Contents

Shade	Crossbar Assembly	Downrod	Wiring	Ceiling Canopy	Bulb
					
STEP 1	STEP 2	STEP 3	STEP 4	STEP 5	STEP 6

**STEP 1**

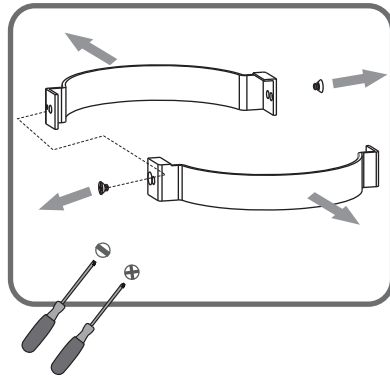
**1**

**Remove holder**



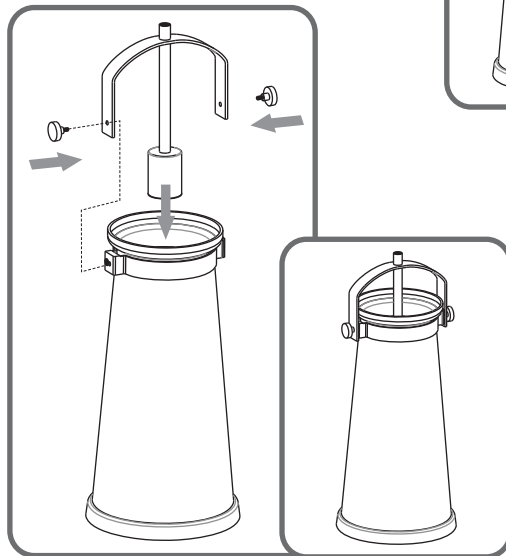
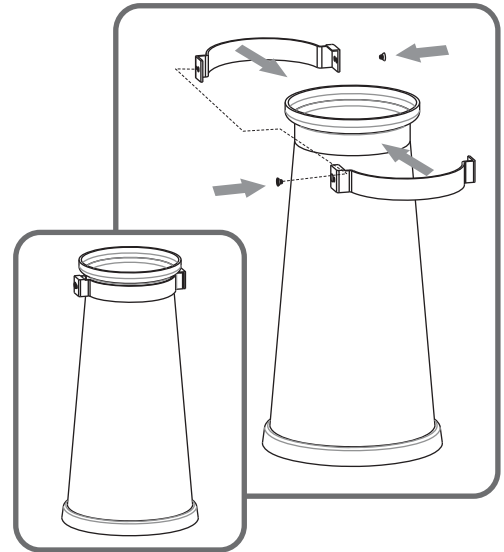
**2**

**Separate holders**



**3**

**Install holders to shade**



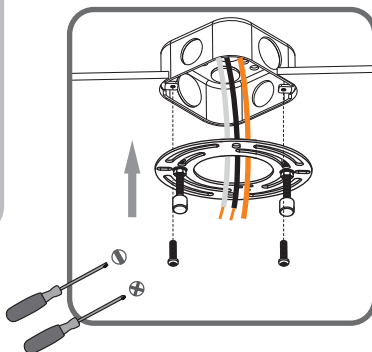
**Install arm to holders**

**4**

**STEP 2**

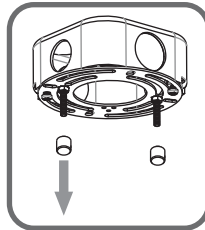
**1**

**Step 1  
Install crossbar assembly**

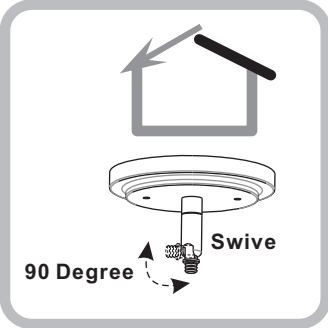
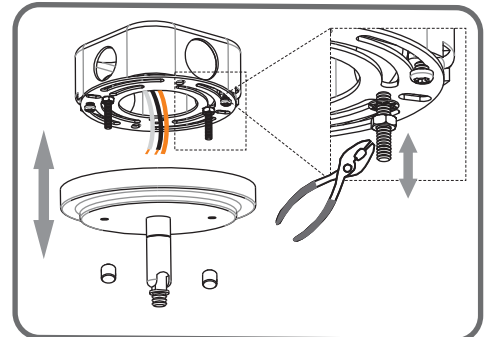


**2**

**Step 2 - 3  
Test fitting ceiling canopy to  
mounting screws**



**3**



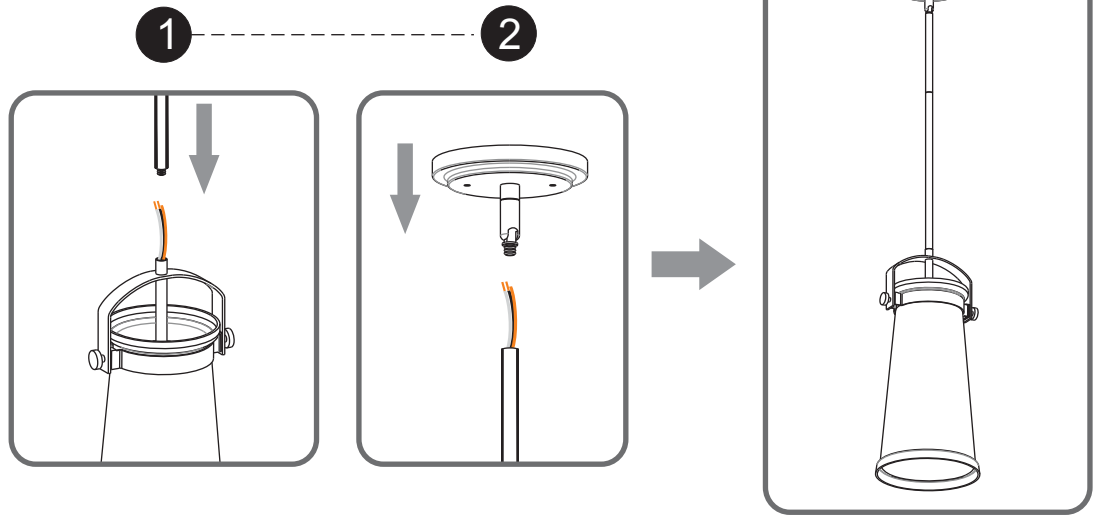
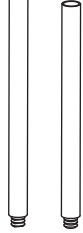
For angled ceilings,  
Swivel opening towards wall.

### STEP 3

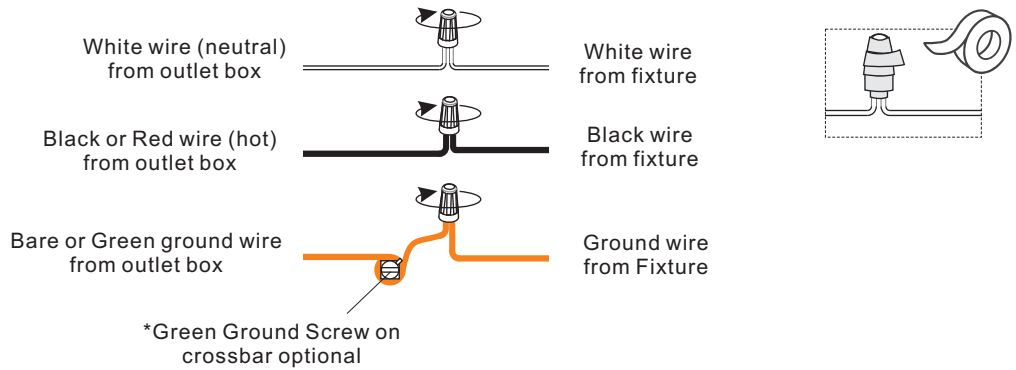
**Optional Rods**

**8' ceiling:**  
(2) 12"L rods

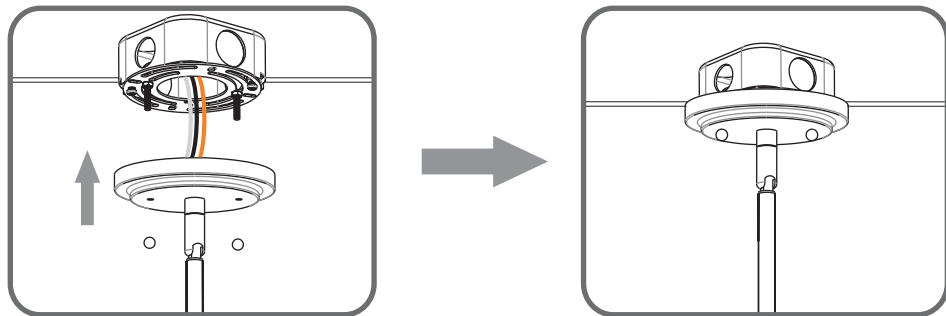
**9' ceiling:**  
(2) 6"L + (2) 12"L rods



### STEP 4



### STEP 5



### STEP 6

