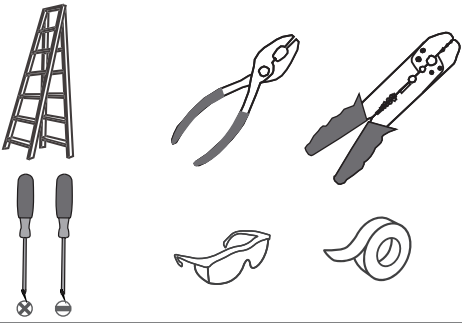
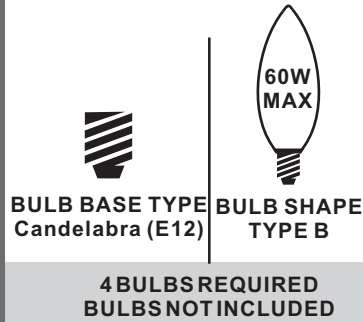


Tools Required



Light Source



Warnings and Cautions

Turn off the electricity at the circuit breaker before installation. Consult a licensed electrician if in doubt about installation.

Turn off power to the fixture and allow the bulbs to cool before replacing.

Package Contents

Preparation: Identify and inspect all parts before beginning the installation.

Missing or damaged parts? Contact your original place of purchase.

PARTS BAG

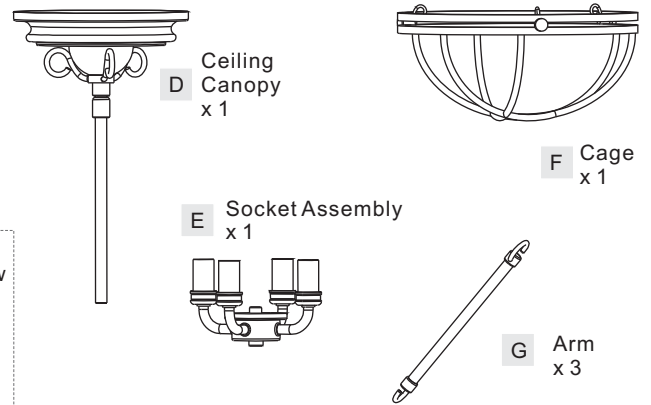
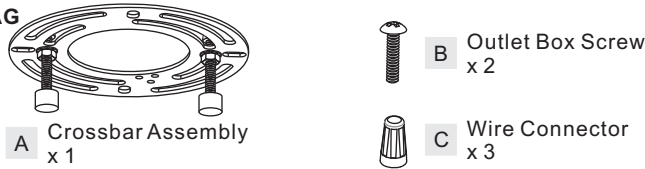
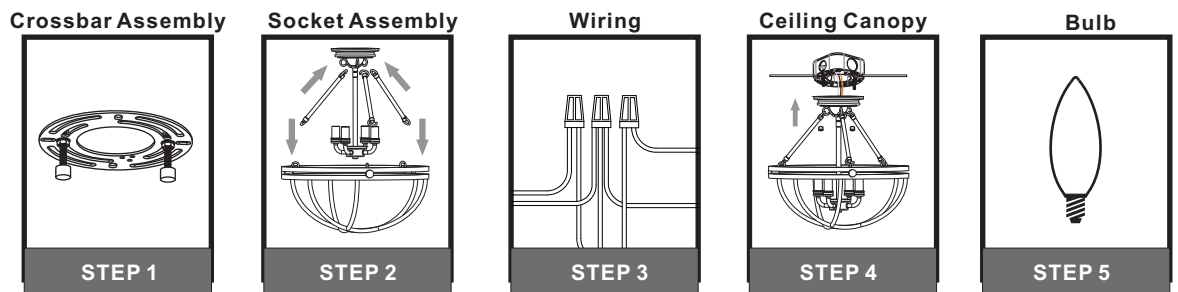
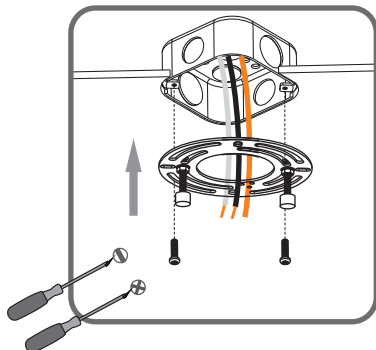


Table of Contents

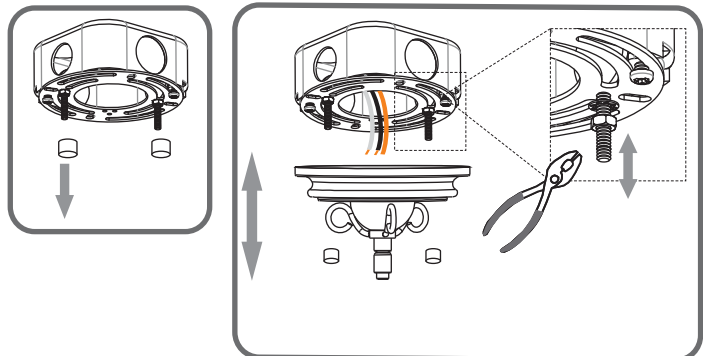


STEP 1

1
Step 1
Install crossbar assembly

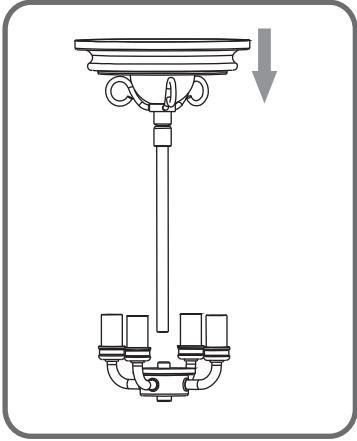


2
3
Step 2 - 3
Test fitting ceiling canopy to mounting screws

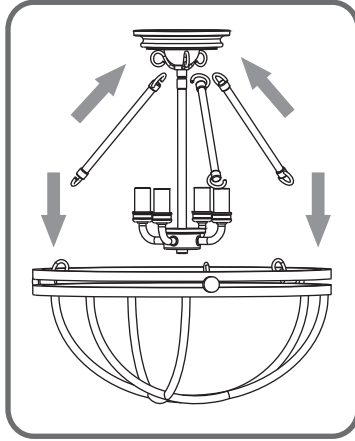


STEP 2

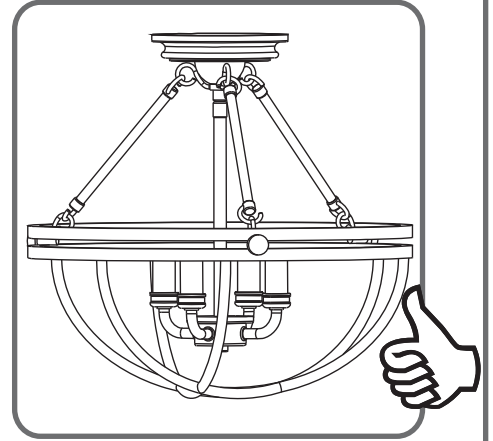
1



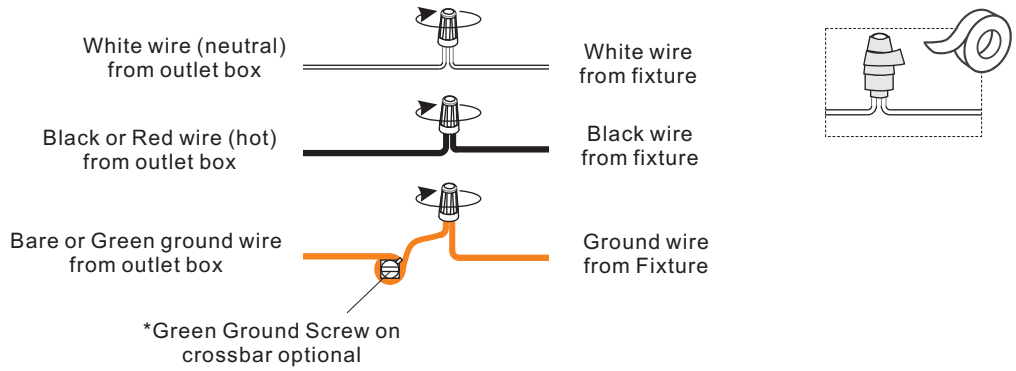
2



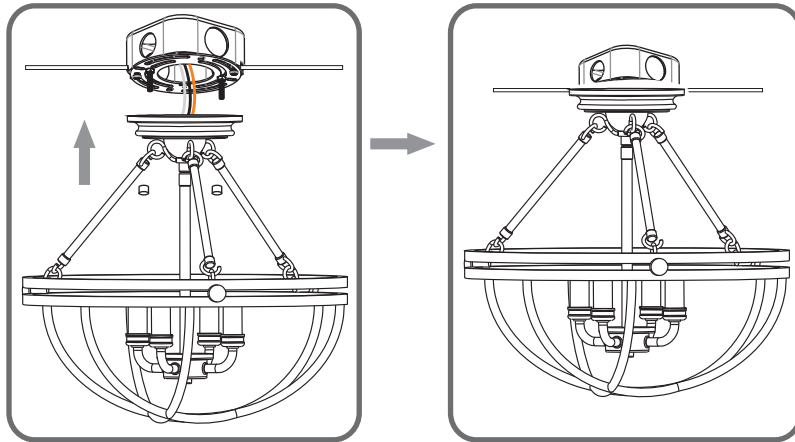
3



STEP 3



STEP 4



STEP 5

