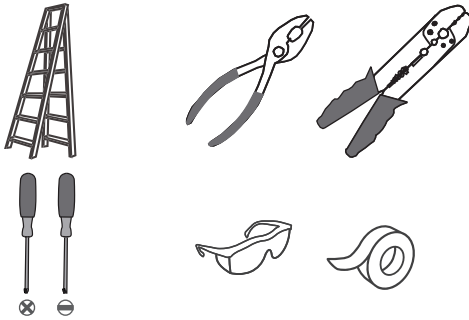
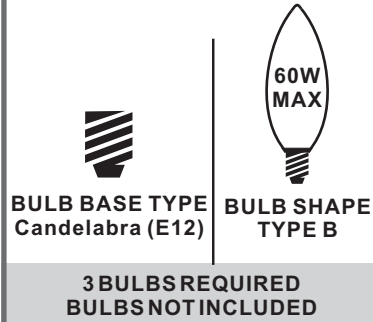


Tools Required



Light Source



Fixture Height Adjustable 26.75" to 74.75"

⚠ Warnings and Cautions

Turn off the electricity at the circuit breaker before installation. Consult a licensed electrician if in doubt about installation.

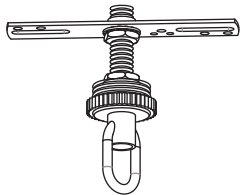
Turn off power to the fixture and allow the bulbs to cool before replacing.

Package Contents

Preparation: Identify and inspect all parts before beginning the installation.

Missing or damaged parts? Contact your original place of purchase.

PARTS BAG



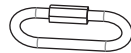
A Crossbar Assembly
x 1



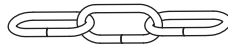
B Outlet Box Screw
x 2



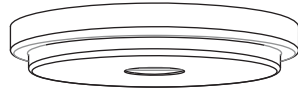
C Wire Connector
x 3



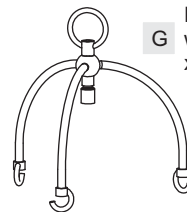
D Quick Link
x 2



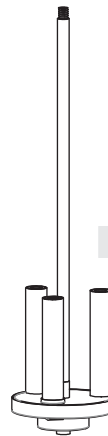
E Fixture Chain
x 1



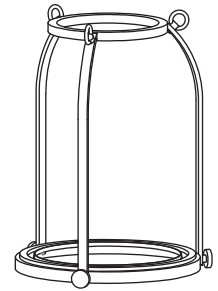
F Ceiling Canopy
x 1



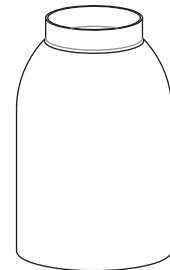
G Fixture Loop
with Side Arms
x 1



H Socket Assembly
x 1

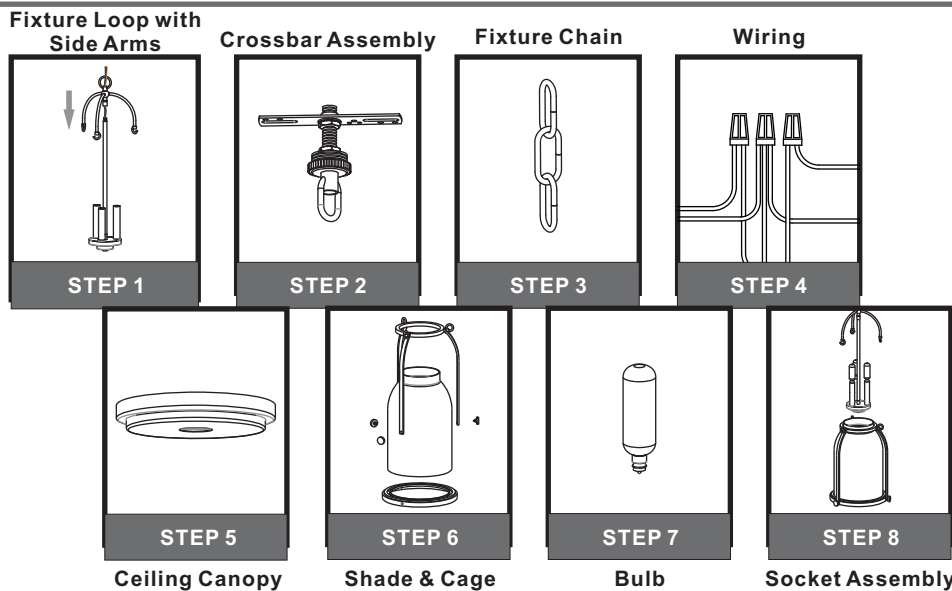


I Cage
x 1

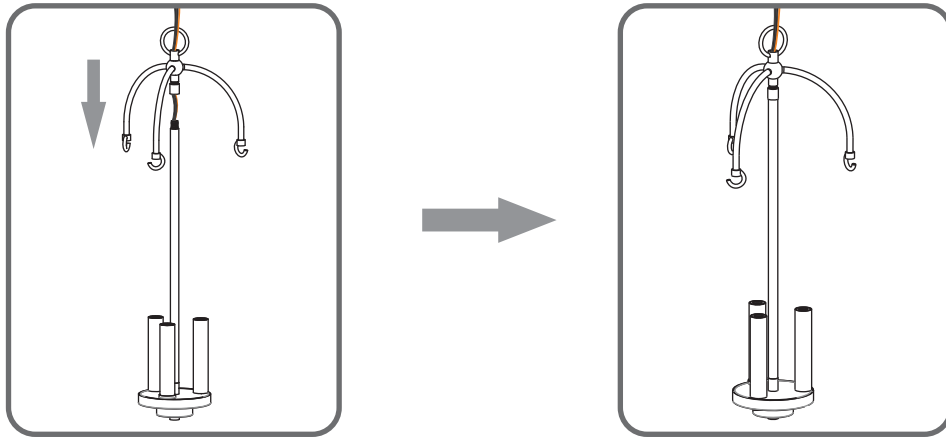


J Shade
x 1

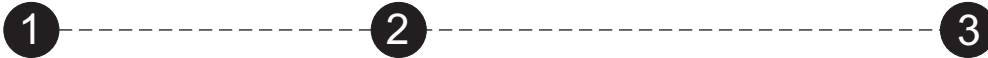
Table of Contents



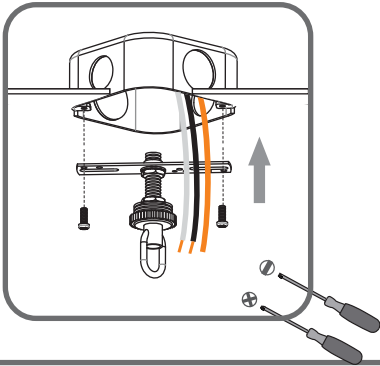
STEP 1



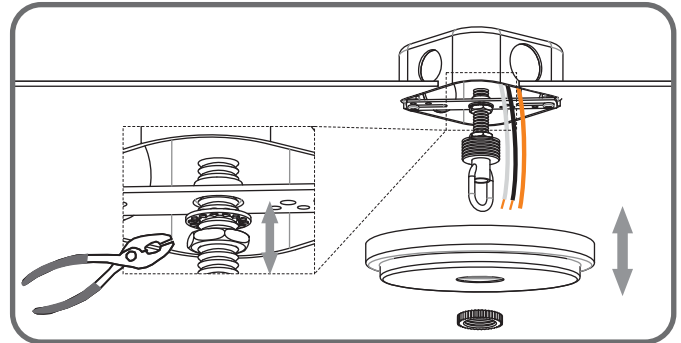
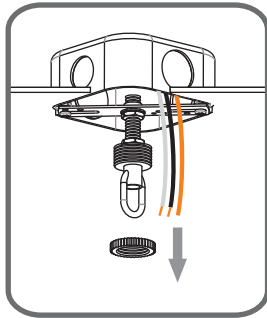
STEP 2



Step 1
Install crossbar assembly



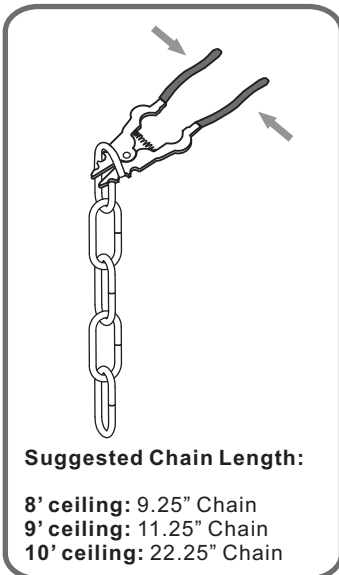
Step 2 - 3
Test fitting ceiling canopy to nipple



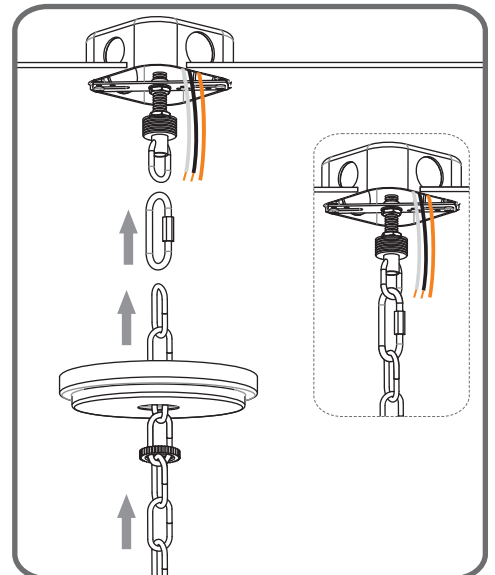
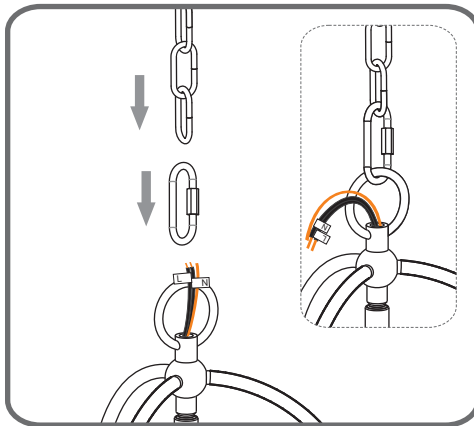
STEP 3



Step 1
Adjust fixture chain length



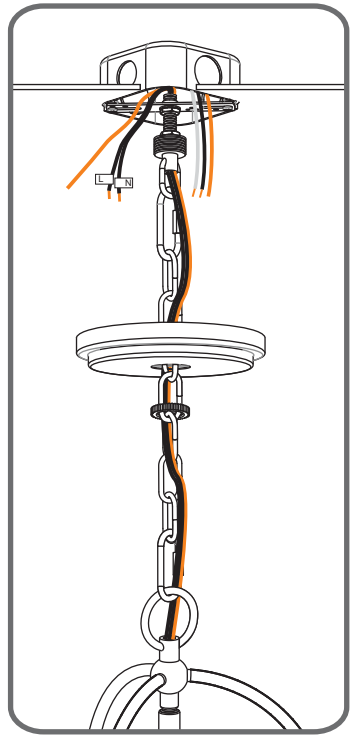
Step 2 - 3
Install Fixture Chain



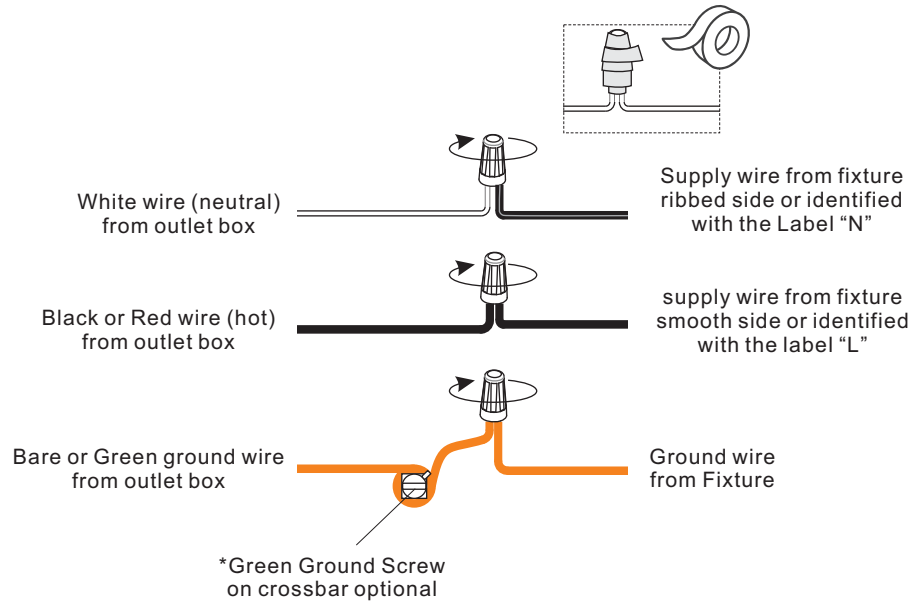
STEP 4

1

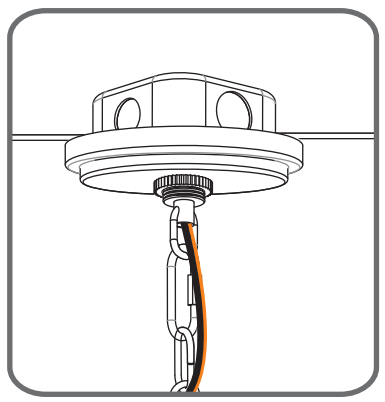
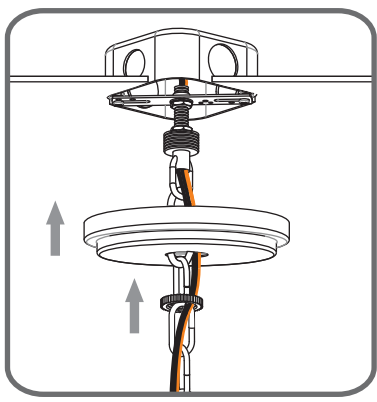
Step 1
Feed the fixture wires
through the loop



2



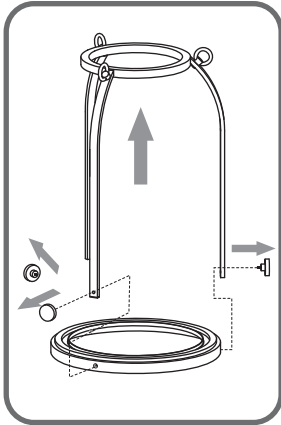
STEP 5



STEP 6

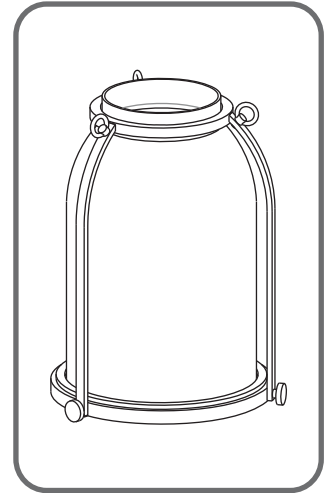
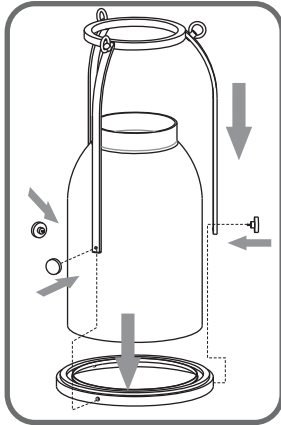
1

Separate cage

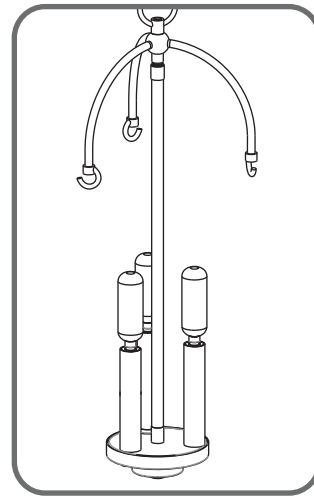
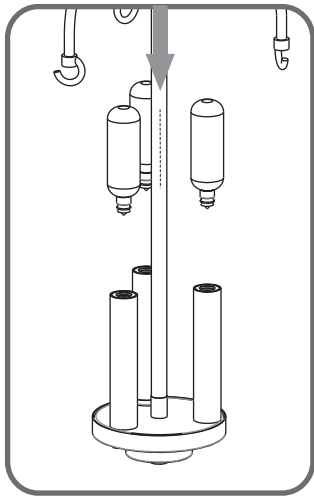


2

Install shade



STEP 7



STEP 8

