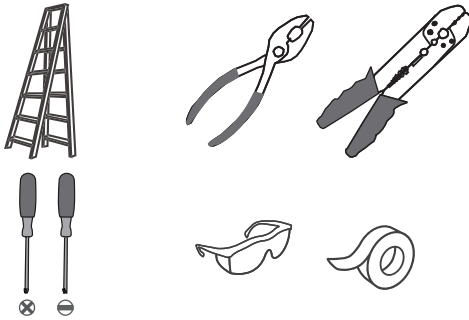


### Tools Required



### Light Source

25W  
**LED**

### ⚠ Warnings and Cautions

Turn off the electricity at the circuit breaker before installation. Consult a licensed electrician if in doubt about installation.

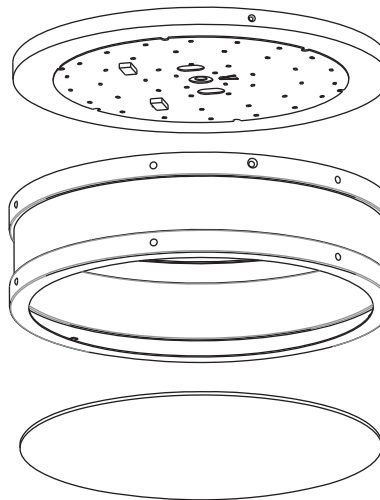
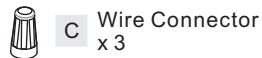
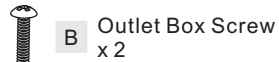
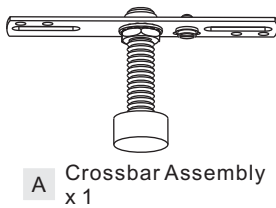
Turn off power to the fixture and allow the bulbs to cool before replacing.

### Package Contents

**Preparation:** Identify and inspect all parts before beginning the installation.

Missing or damaged parts? Contact your original place of purchase.

#### PARTS BAG



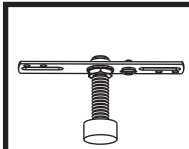
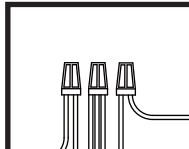
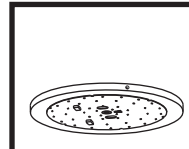
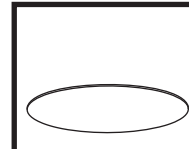
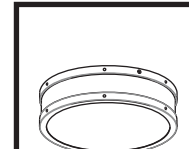
**D** Ceiling Canopy  
x 1



**F** Cage  
x 1

**G** Diffuser  
x 1

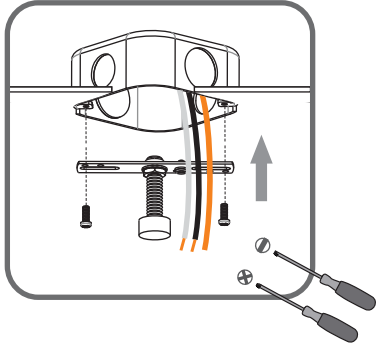
### Table of Contents

Crossbar Assembly	Wiring	Ceiling Canopy	Diffuser	Cage
				
<b>STEP 1</b>	<b>STEP 2</b>	<b>STEP 3</b>	<b>STEP 4</b>	<b>STEP 5</b>

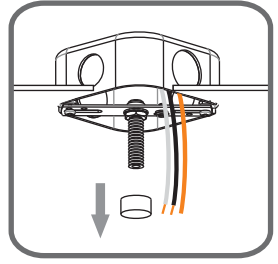
**STEP 1**

1

**Step 1**  
Install crossbar assembly

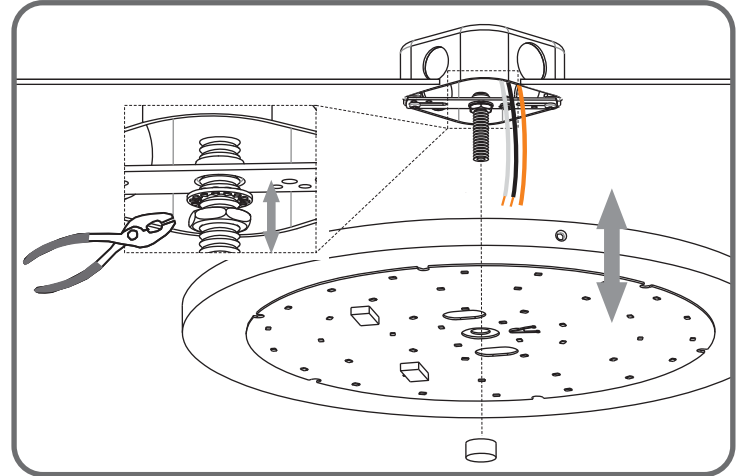


2

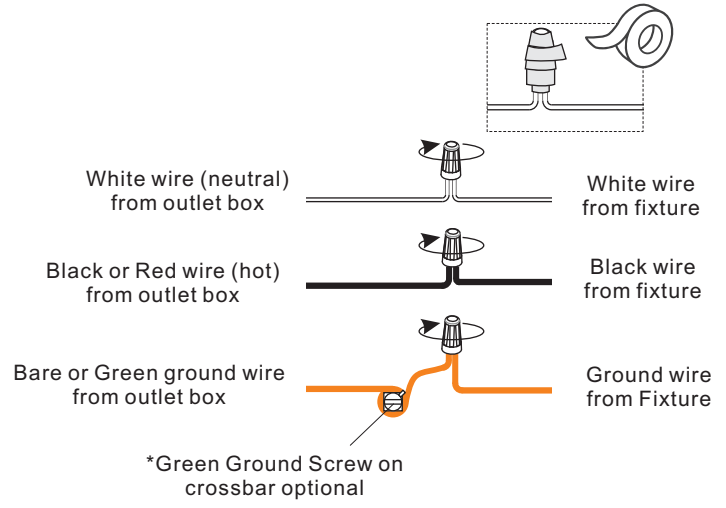


3

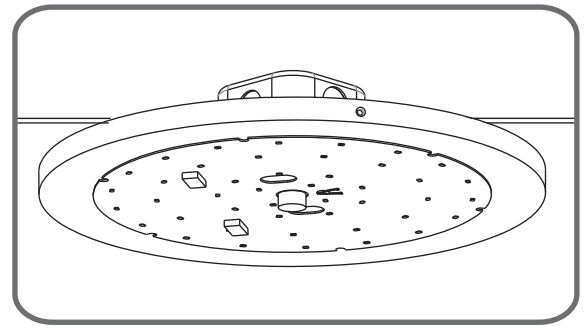
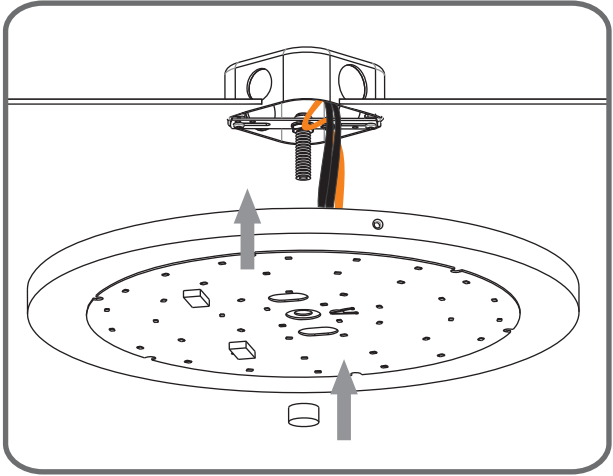
**Step 2 - 3**  
Test fitting ceiling canopy to nipple



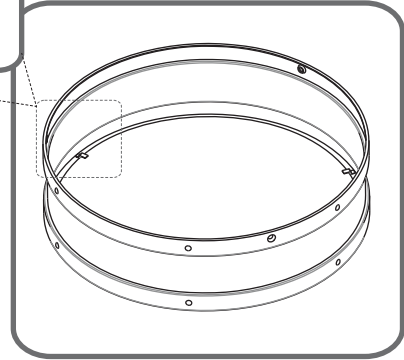
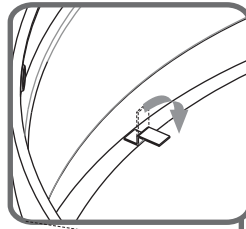
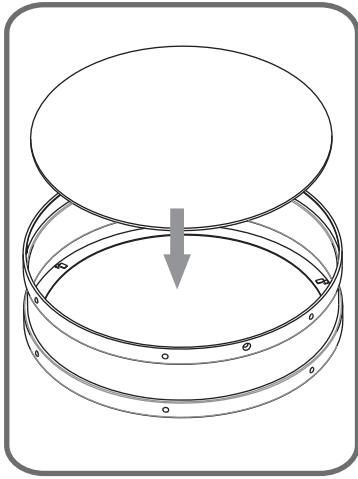
**STEP 2**



**STEP 3**



**STEP 4**



**STEP 5**

