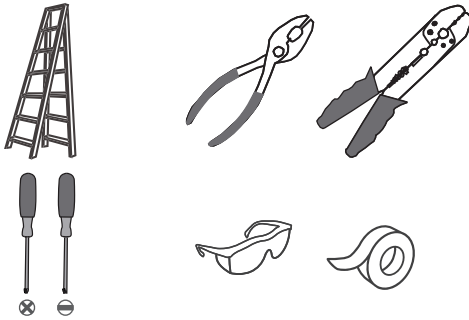


### Tools Required



### Light Source

40W  
MAX



**BULB SHAPE  
TYPE G9 XENON**

**6 BULBS REQUIRED  
NOT INCLUDED**

### ⚠ Warnings and Cautions

Turn off the electricity at the circuit breaker before installation. Consult a licensed electrician if in doubt about installation.

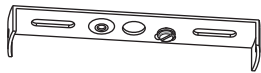
Turn off power to the fixture and allow the bulbs to cool before replacing.

### Package Contents

**Preparation:** Identify and inspect all parts before beginning the installation.

Missing or damaged parts? Contact your original place of purchase.

#### PARTS BAG



**A** Mounting Bracket  
x 1



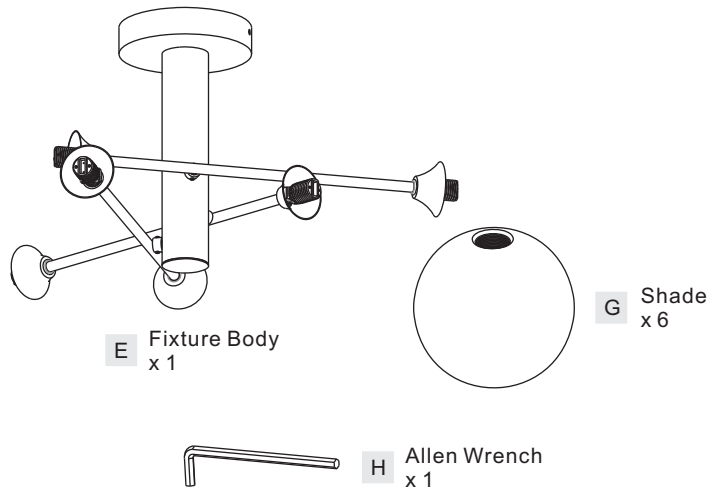
**B** Lock Screw  
x 2



**C** Outlet Box Screw  
x 2



**D** Wire Connector  
x 3



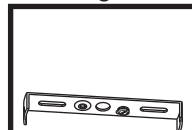
**E** Fixture Body  
x 1

**G** Shade  
x 6

**H** Allen Wrench  
x 1

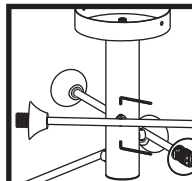
### Table of Contents

#### Mounting Bracket



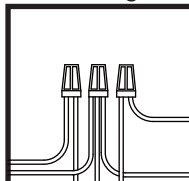
STEP 1

#### Level Arm



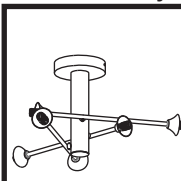
STEP 2

#### Wiring



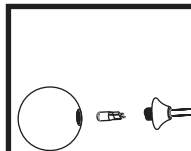
STEP 3

#### Fixture Body



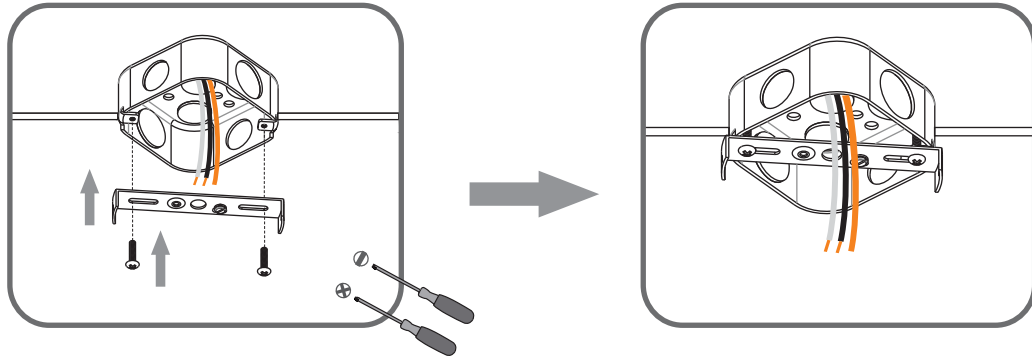
STEP 4

#### Bulb & Shade

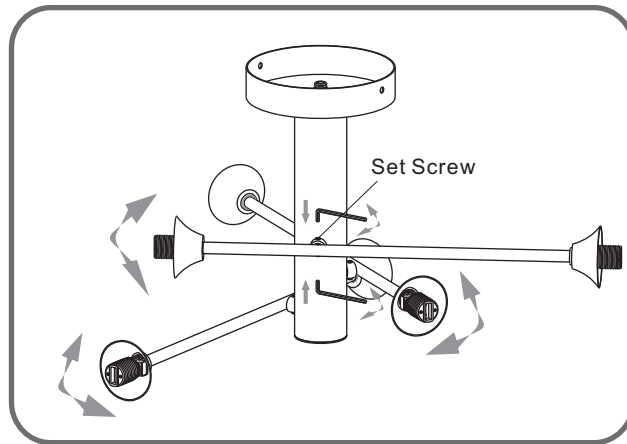


STEP 5

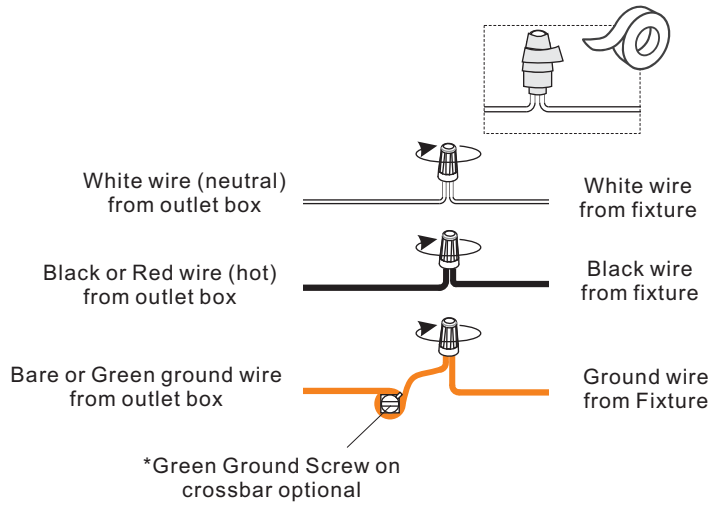
### STEP 1



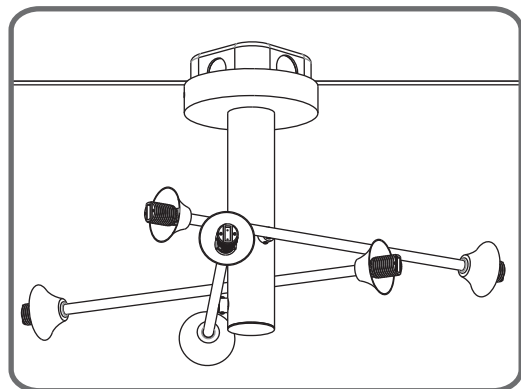
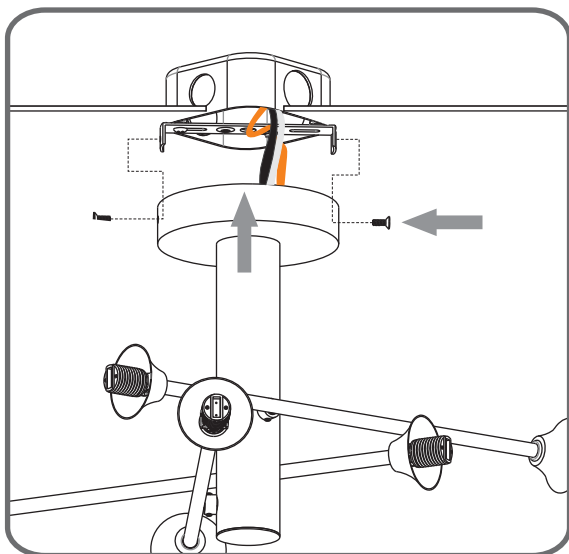
### STEP 2 (Optional)



### STEP 3



**STEP 4**



**STEP 5**

