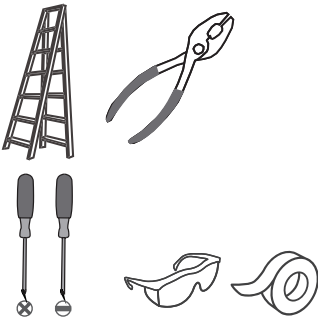
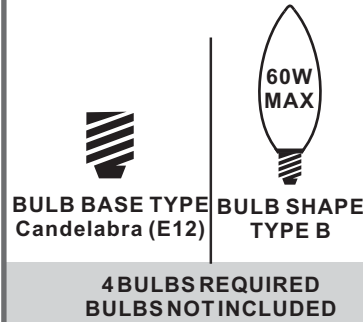


### Tools Required



### Light Source



### ⚠ Warnings and Cautions

Turn off the electricity at the circuit breaker before installation. Consult a licensed electrician if in doubt about installation.

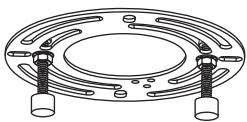
Turn off power to the fixture and allow the bulbs to cool before replacing.

### Package Contents

**Preparation:** Identify and inspect all parts before beginning the installation.

Missing or damaged parts? Contact your original place of purchase.

#### PARTS BAG



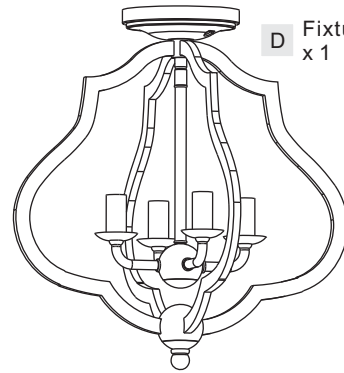
**A** Crossbar Assembly x 1



**B** Outlet Box Screw x 2



**C** Wire Connector x 3



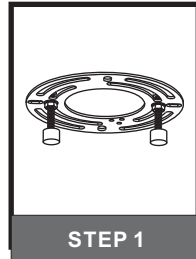
**D** Fixture Body x 1



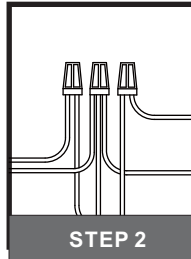
**E** Optional Candle Cover x 4

### Table of Contents

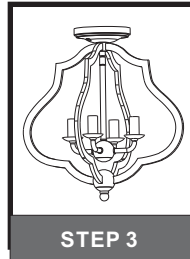
#### Crossbar Assembly



#### Wiring



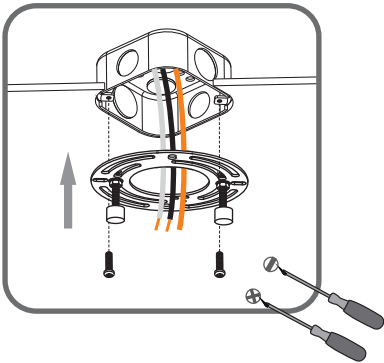
#### Fixture Body



## STEP 1

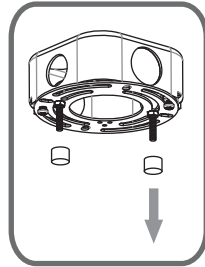
1

Step 1  
Install crossbar assembly

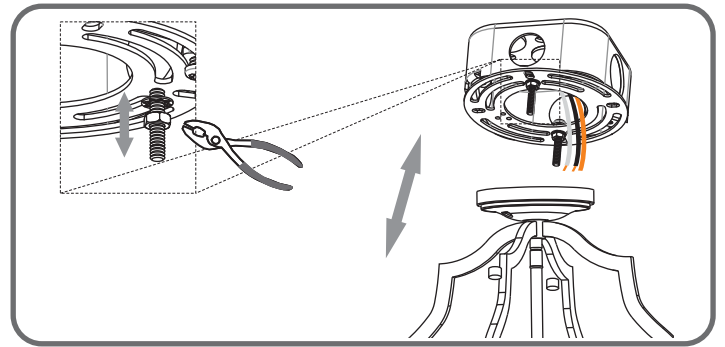


2

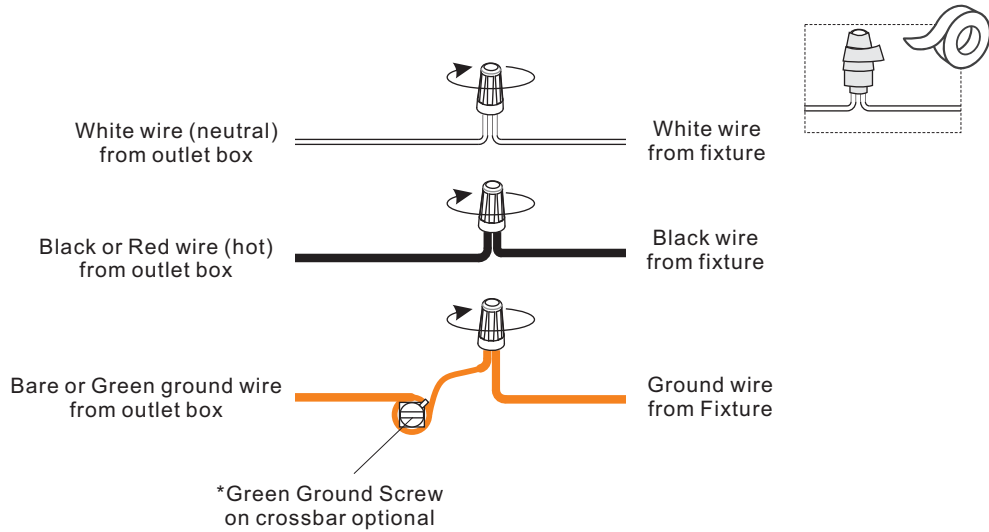
Step 2 - 3  
Test fitting backplate to mounting screws



3



## STEP 2



## STEP 3

