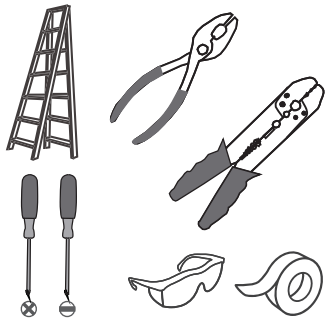
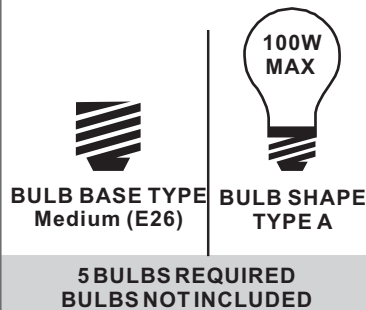


### Tools Required



### Light Source



### ⚠ Warnings and Cautions

Turn off the electricity at the circuit breaker before installation. Consult a licensed electrician if in doubt about installation.

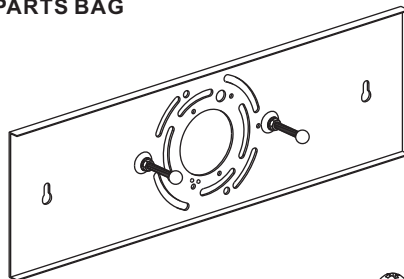
Turn off power to the fixture and allow the bulbs to cool before replacing.

### Package Contents

**Preparation:** Identify and inspect all parts before beginning the installation.

Missing or damaged parts? Contact your original place of purchase.

#### PARTS BAG



**A** Inner Backplate Assembly x 1



**B** Wall Anchor x 2



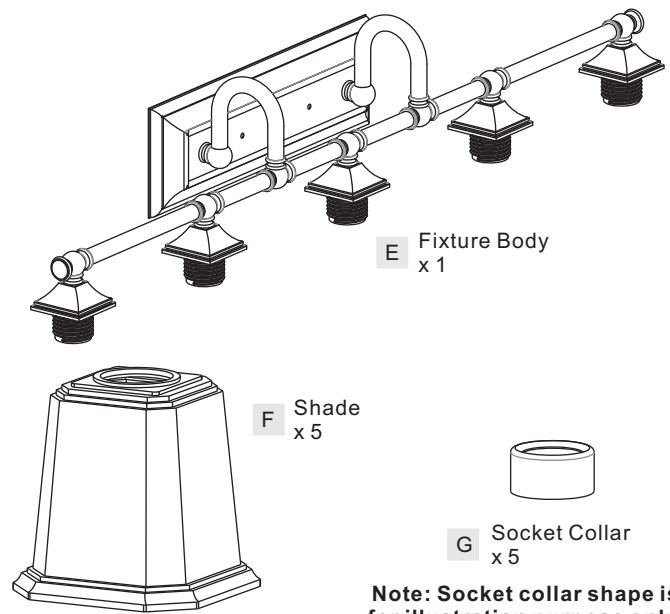
**D** Outlet Box Screw x 2



**C** Screw x 2



**E** Wire Connector x 3



**E** Fixture Body x 1

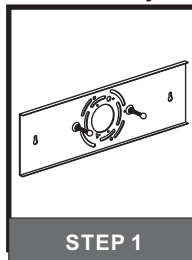
**F** Shade x 5

**G** Socket Collar x 5

**Note:** Socket collar shape is for illustration purpose only. Your socket collar shape may vary from illustration.

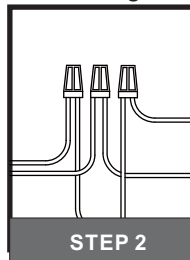
### Table of Contents

#### Inner Backplate Assembly



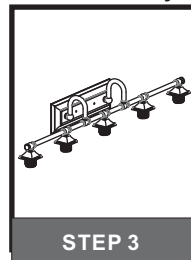
STEP 1

#### Wiring



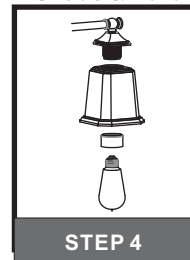
STEP 2

#### Fixture Body



STEP 3

#### Shade & Bulb

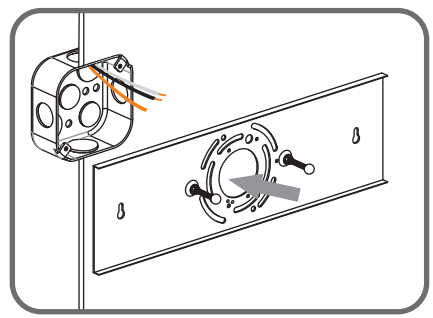


STEP 4

**STEP 1**

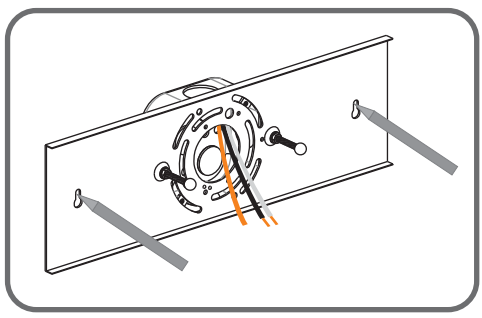
1

**Fit inner backplate assembly to outlet box**



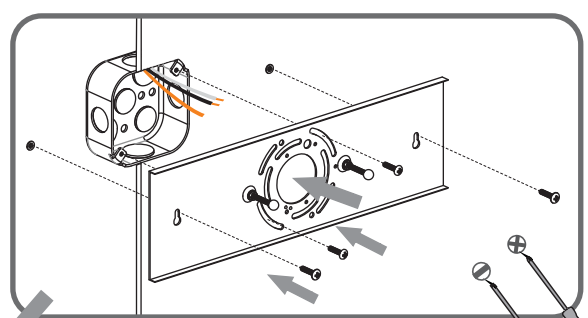
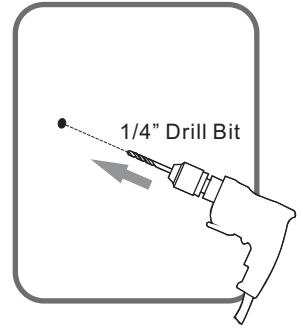
2

**Mark anchor holes location on the wall**



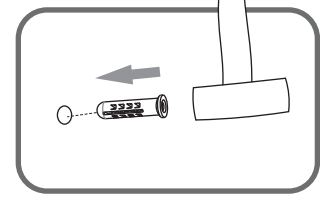
3

**Drill holes for anchors from marks**



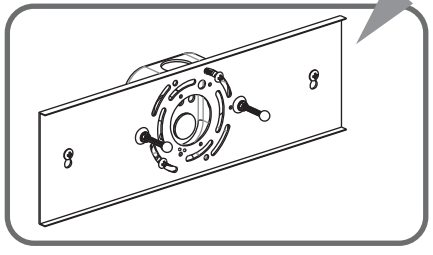
**Install inner backplate assembly**

5

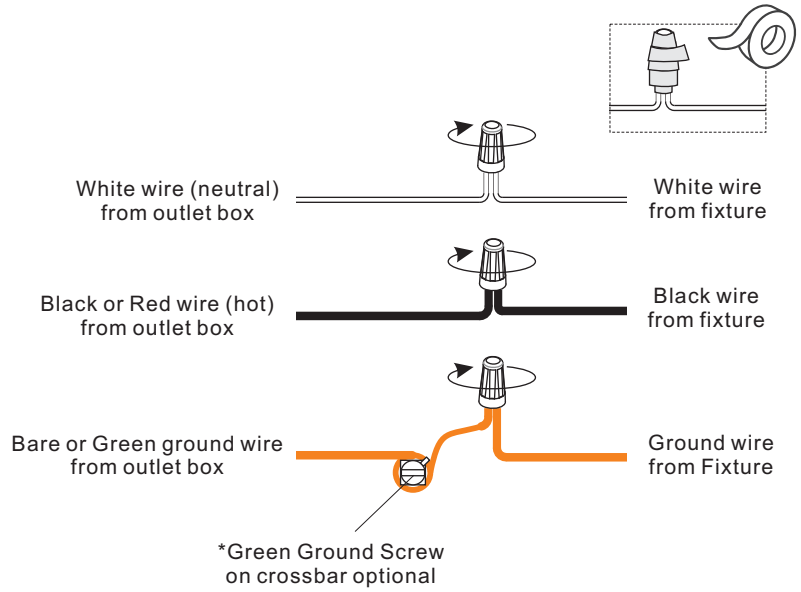


**Install wall anchors**

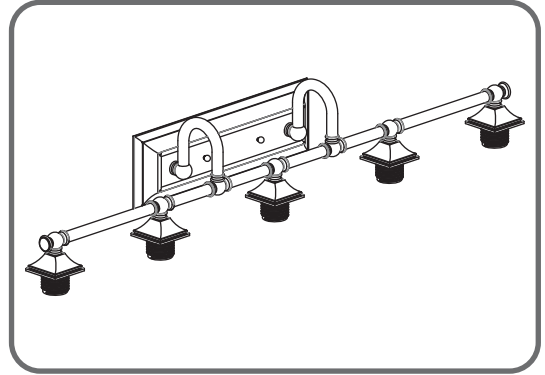
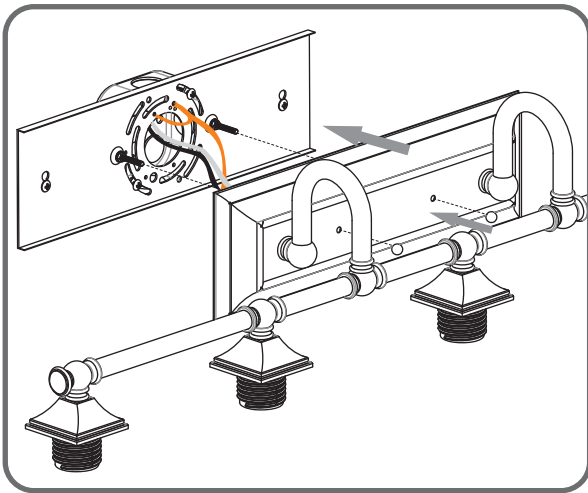
4



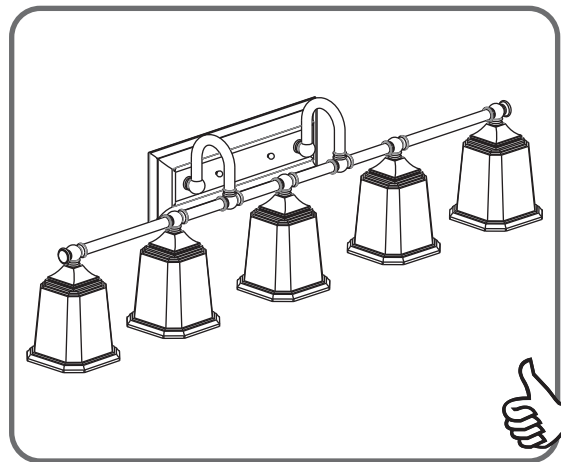
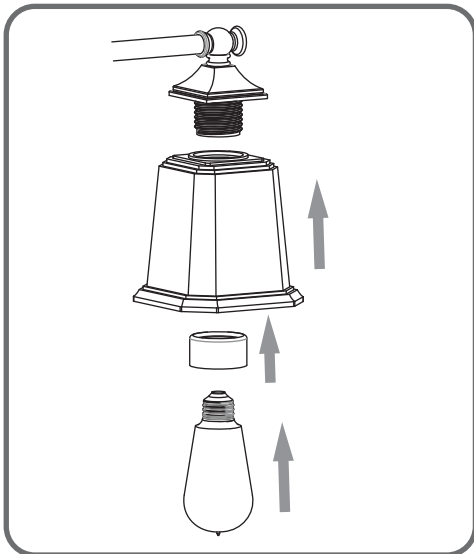
**STEP 2**



**STEP 3**



**STEP 4**



**Note: Socket collar shape is for illustration purpose only. Your socket collar shape may vary from illustration.**