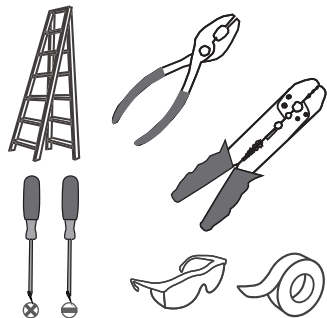
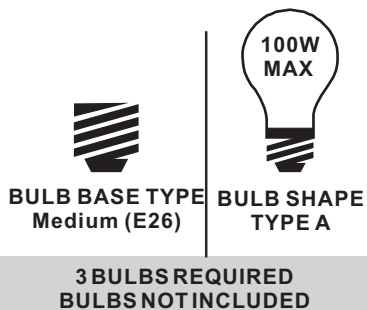


### Tools Required



### Light Source



### Warnings and Cautions

Turn off the electricity at the circuit breaker before installation. Consult a licensed electrician if in doubt about installation.

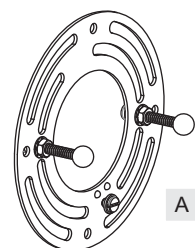
Turn off power to the fixture and allow the bulbs to cool before replacing.

### Package Contents

**Preparation:** Identify and inspect all parts before beginning the installation.

Missing or damaged parts? Contact your original place of purchase.

#### PARTS BAG



A Crossbar Assembly x 1



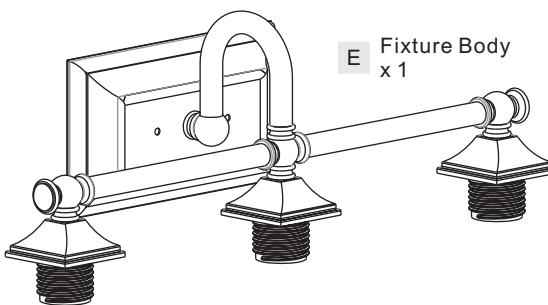
B Alternate Mounting Screw x 2



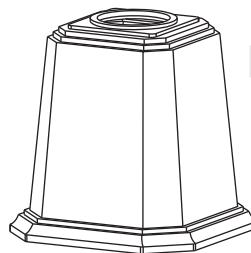
C Outlet Box Screw x 2



D Wire Connector x 3



E Fixture Body x 1




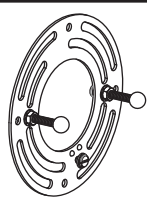
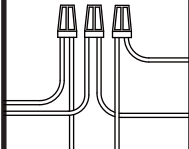
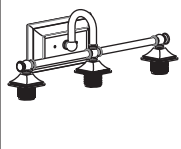

F Shade x 3



G Socket Collar x 3

Note: Socket collar shape is for illustration purpose only. Your socket collar shape may vary from illustration.

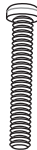
### Table of Contents

Alternate Mounting Screw	Crossbar Assembly	Wiring	Fixture Body	Shade & Bulb
				
STEP 1	STEP 2	STEP 3	STEP 4	STEP 5

# STEP 1

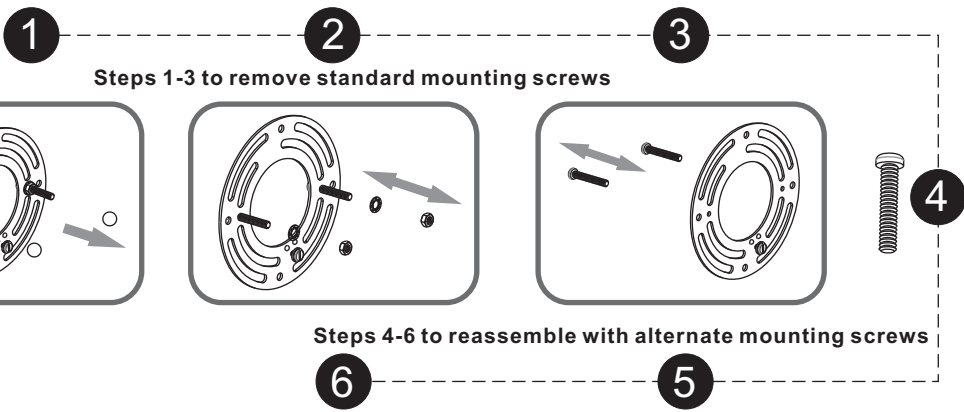
OPTION 1

**Standard Mounting Screw**



Included (Pre-assembled)

skip to next page



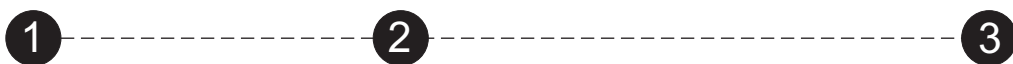
OPTION 2

**Alternate Mounting Screw**

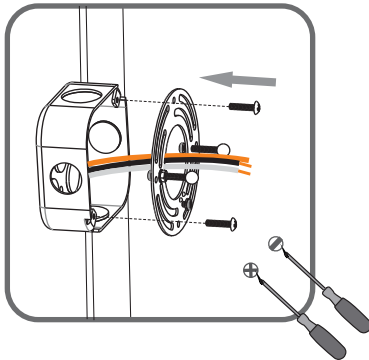


Included

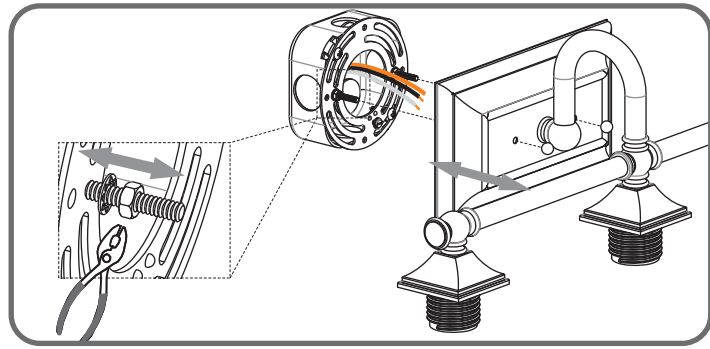
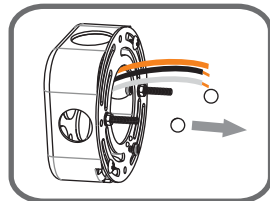
# STEP 2



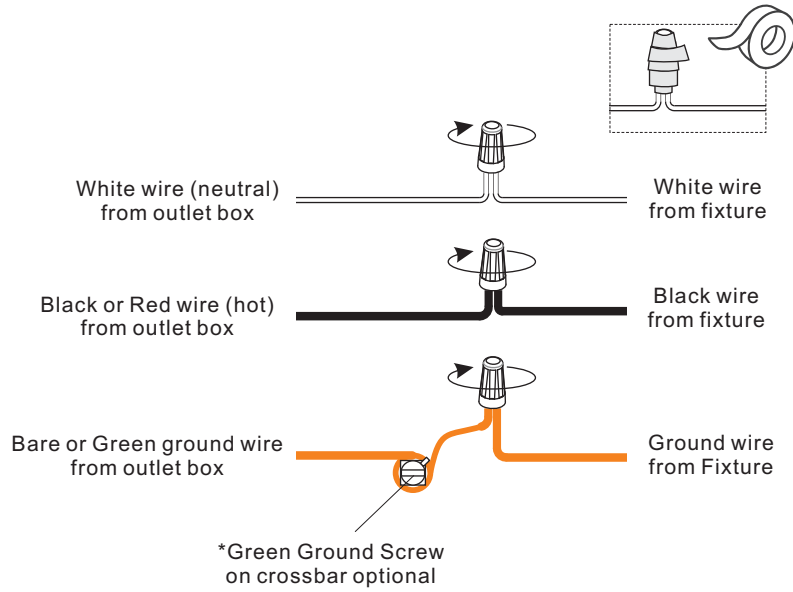
Step 1  
Install crossbar assembly



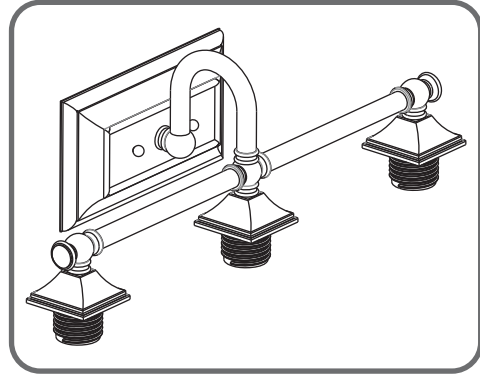
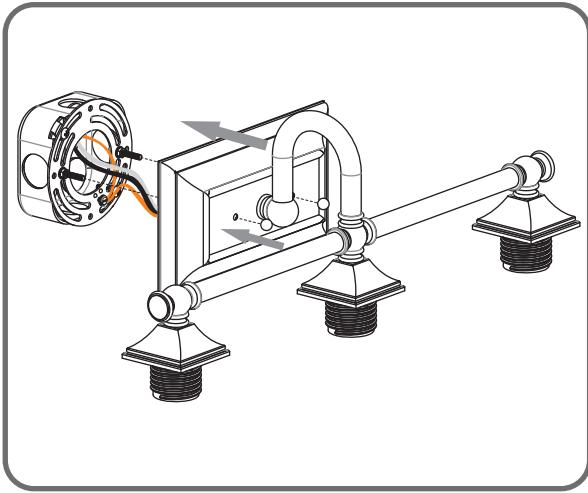
Step 2 - 3  
Test fitting backplate to mounting screws



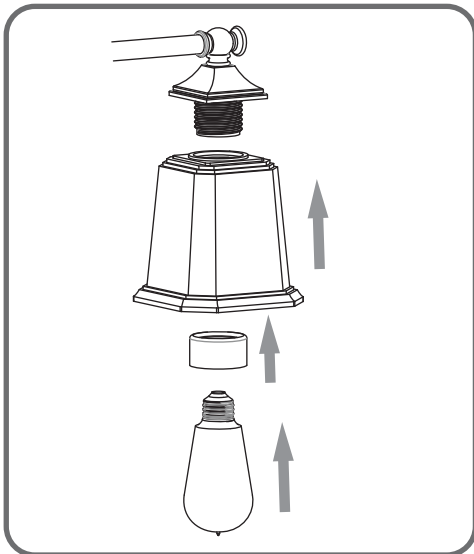
# STEP 3



## STEP 4



## STEP 5



**Note:** Socket collar shape is for illustration purpose only. Your socket collar shape may vary from illustration.

