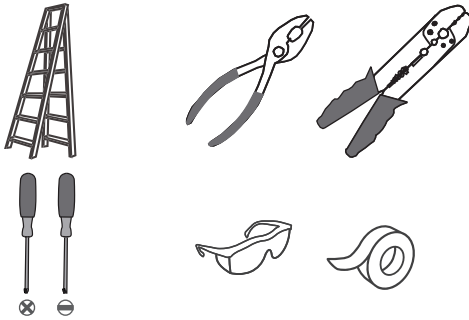
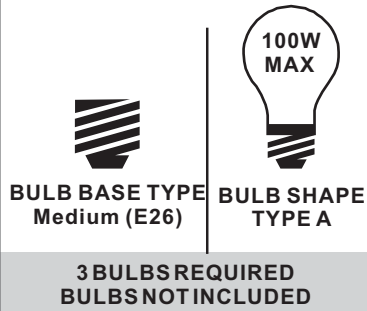


### Tools Required



### Light Source



### Warnings and Cautions

Turn off the electricity at the circuit breaker before installation. Consult a licensed electrician if in doubt about installation.

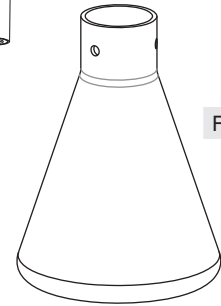
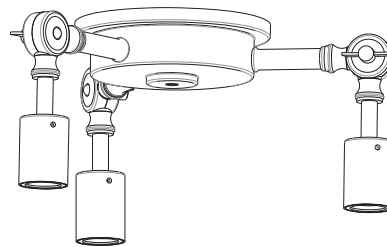
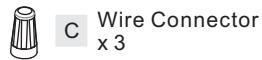
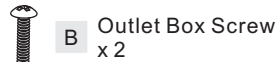
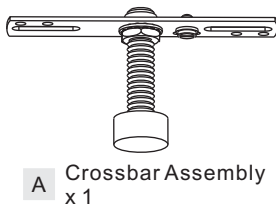
Turn off power to the fixture and allow the bulbs to cool before replacing.

### Package Contents

**Preparation:** Identify and inspect all parts before beginning the installation.

Missing or damaged parts? Contact your original place of purchase.

#### PARTS BAG



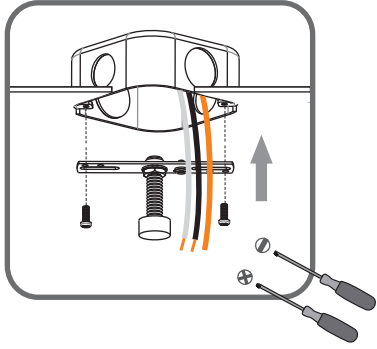
### Table of Contents

Crossbar Assembly	Wiring	Fixture Body	Shade	Bulb	Adjust Shade
STEP 1	STEP 2	STEP 3	STEP 4	STEP 5	STEP 6

**STEP 1**

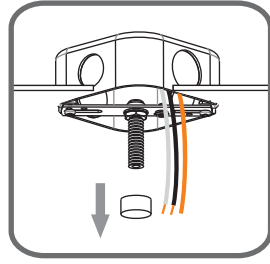
1

**Step 1**  
Install crossbar assembly

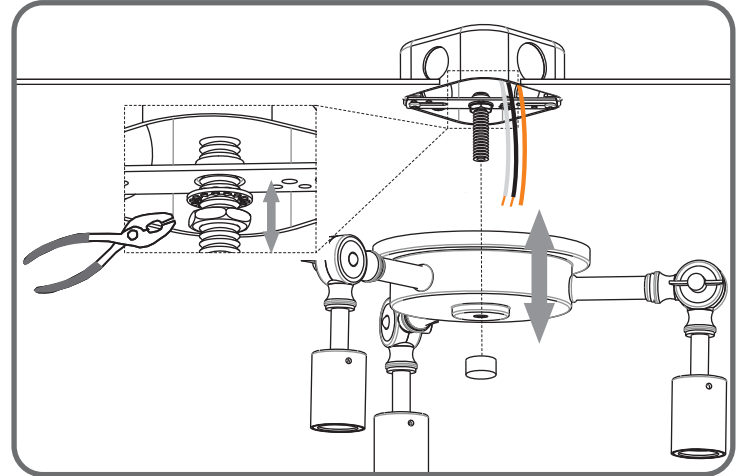


2

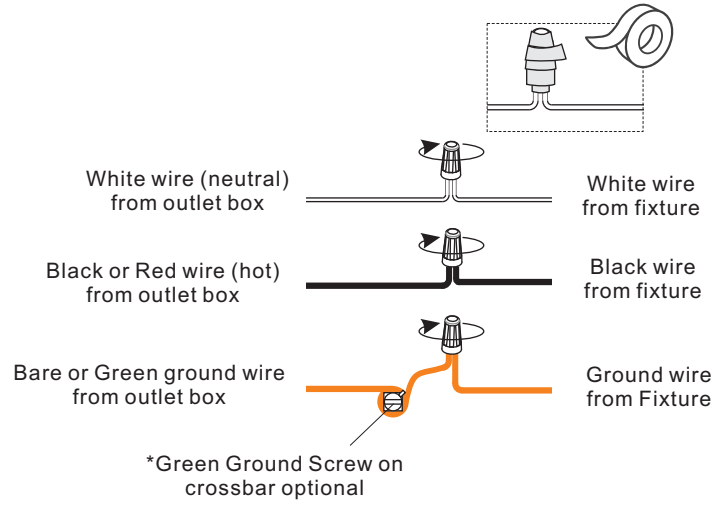
**Step 2 - 3**  
Test fitting ceiling canopy to nipple



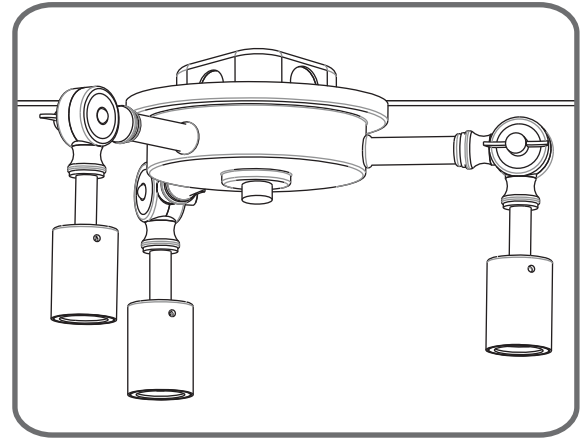
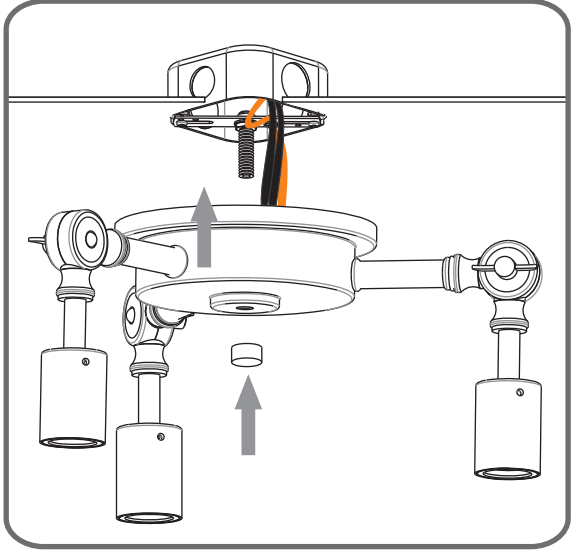
3



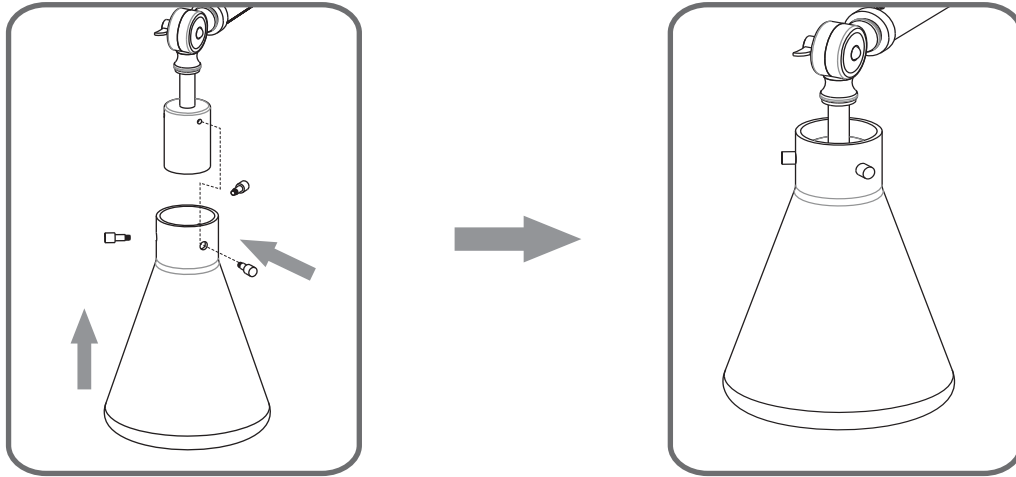
**STEP 2**



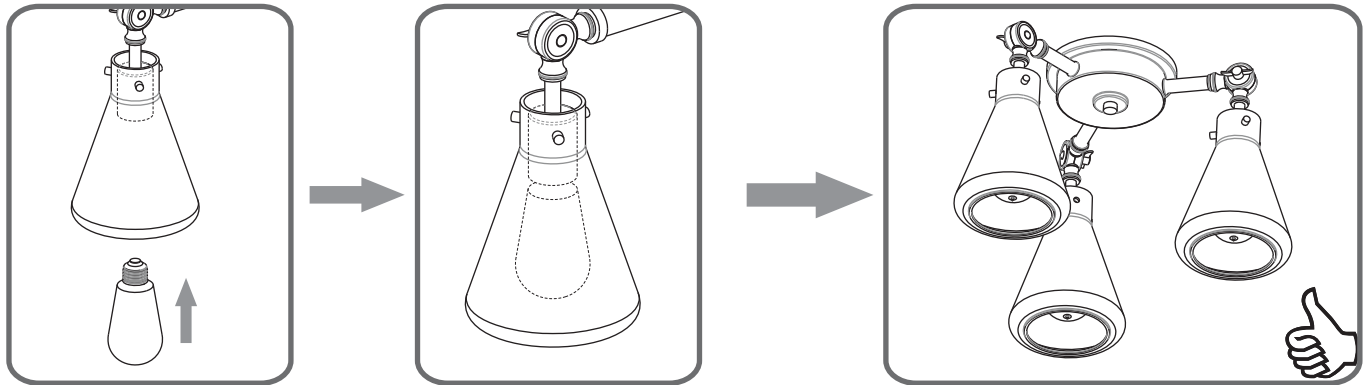
**STEP 3**



## STEP 4



## STEP 5



## STEP 6 - Optional

Note: The swivel has limited travel to keep the bulb a safe distance from the ceiling.

