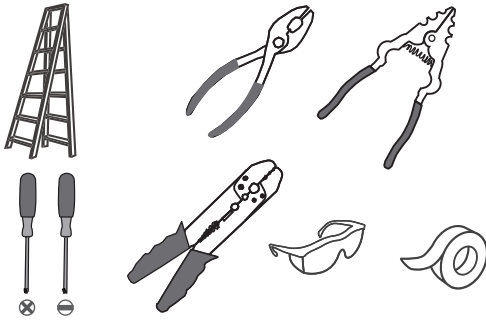
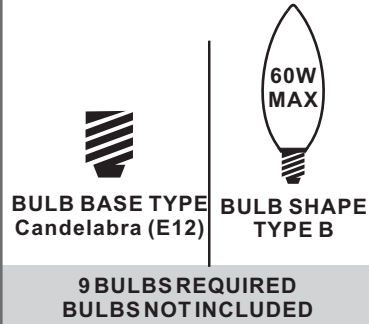


Tools Required



Light Source



Fixture Height Adjustable 36.25" to 132.25"

⚠ Warnings and Cautions

Turn off the electricity at the circuit breaker before installation. Consult a licensed electrician if in doubt about installation.

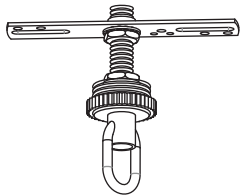
Turn off power to the fixture and allow the bulbs to cool before replacing.

Package Contents

Preparation: Identify and inspect all parts before beginning the installation.

Missing or damaged parts? Contact your original place of purchase.

PARTS BAG



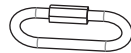
A Crossbar Assembly x 1



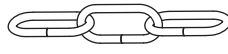
B Outlet Box Screw x 2



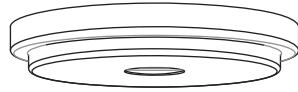
C Wire Connector x 3



D Quick Link x 2



E Fixture Chain x 1



F Ceiling Canopy x 1



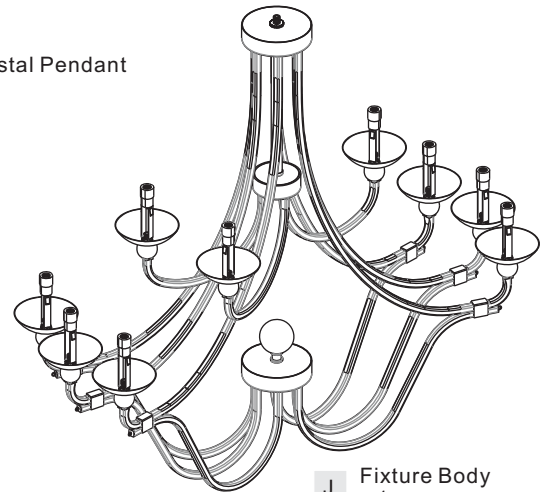
G Fixture Loop x 1



I Candle Cover x 9



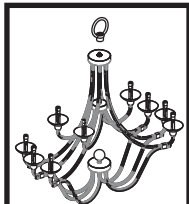
H Crystal Pendant x 6



J Fixture Body x 1

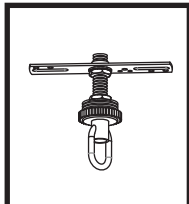
Table of Contents

Unfold arms & Fixture Loop



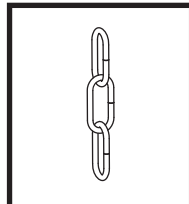
STEP 1

Crossbar Assembly



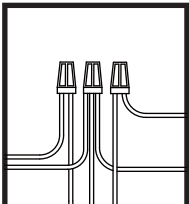
STEP 2

Fixture Chain



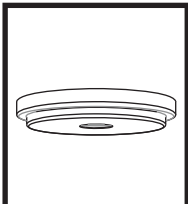
STEP 3

Wiring



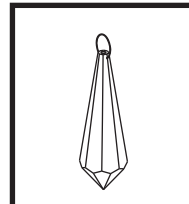
STEP 4

Ceiling Canopy



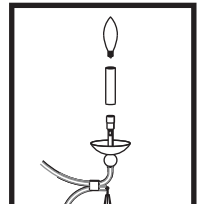
STEP 5

Crystal Pendant



STEP 6

Candle Cover & Bulb

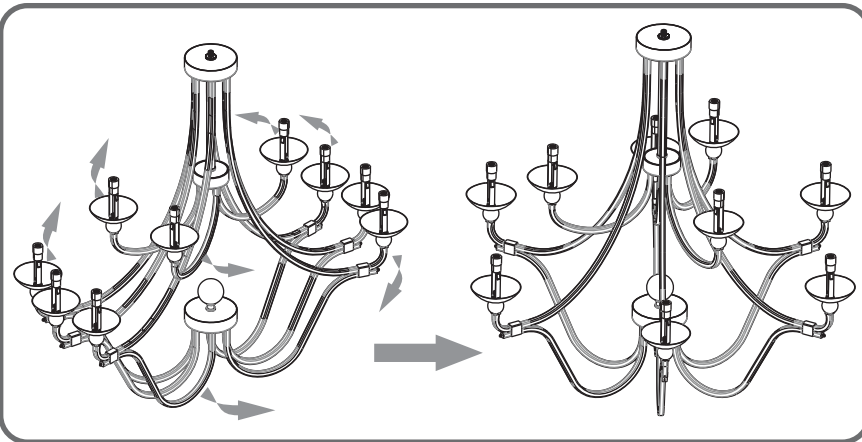


STEP 7

STEP 1

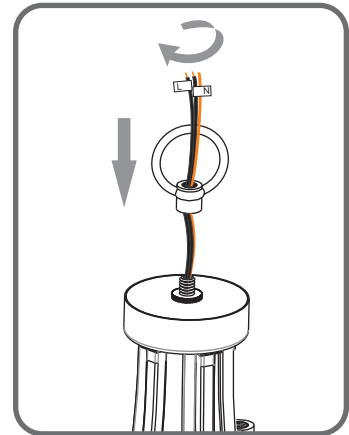
1

Unfold Support Arms



2

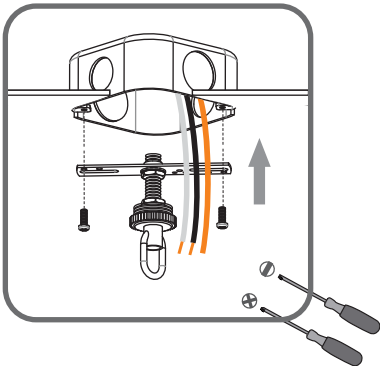
Install Fixture Loop



STEP 2

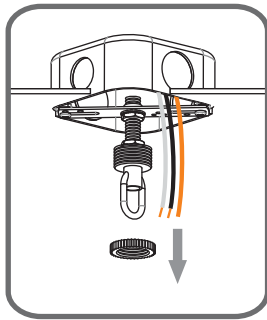
1

Step 1
Install crossbar assembly

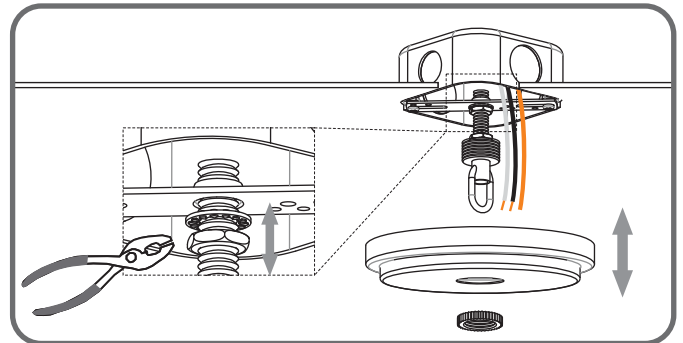


2

Step 2 - 3
Test fitting ceiling canopy to nipple



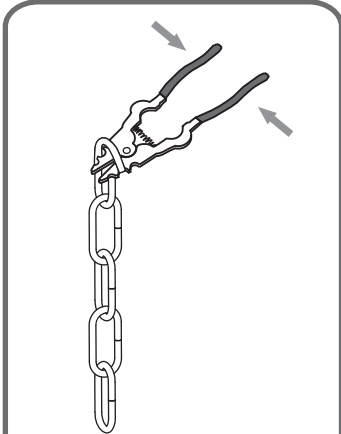
3



STEP 3

1

Step 1
Adjust fixture chain length

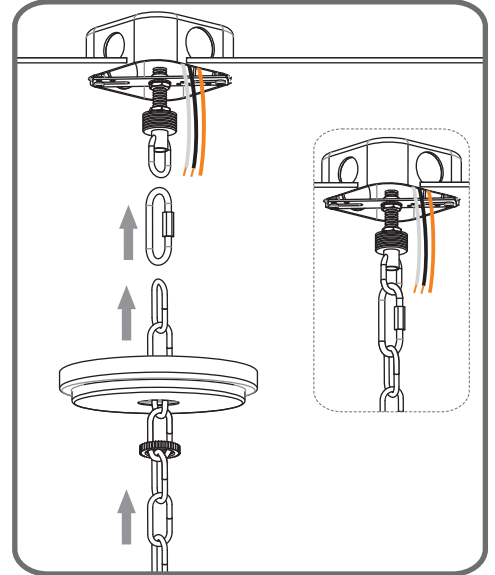
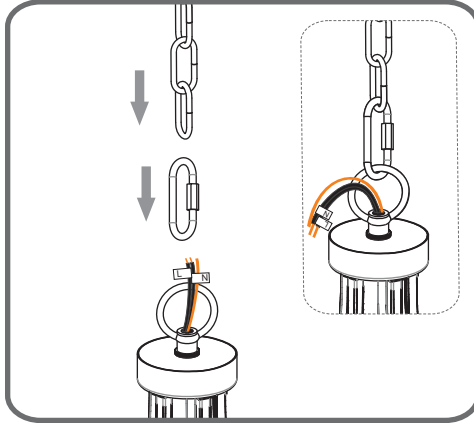


Suggested Chain Length:

- 8' ceiling: 6.75" Chain
- 9' ceiling: 17.75" Chain
- 10' ceiling: 28.75" Chain

2

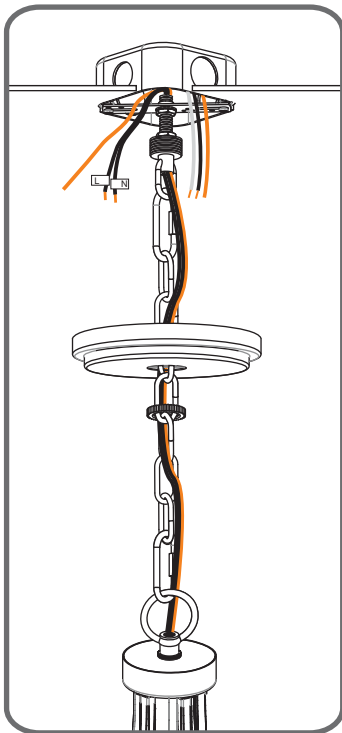
Step 2 - 3
Install Fixture Chain



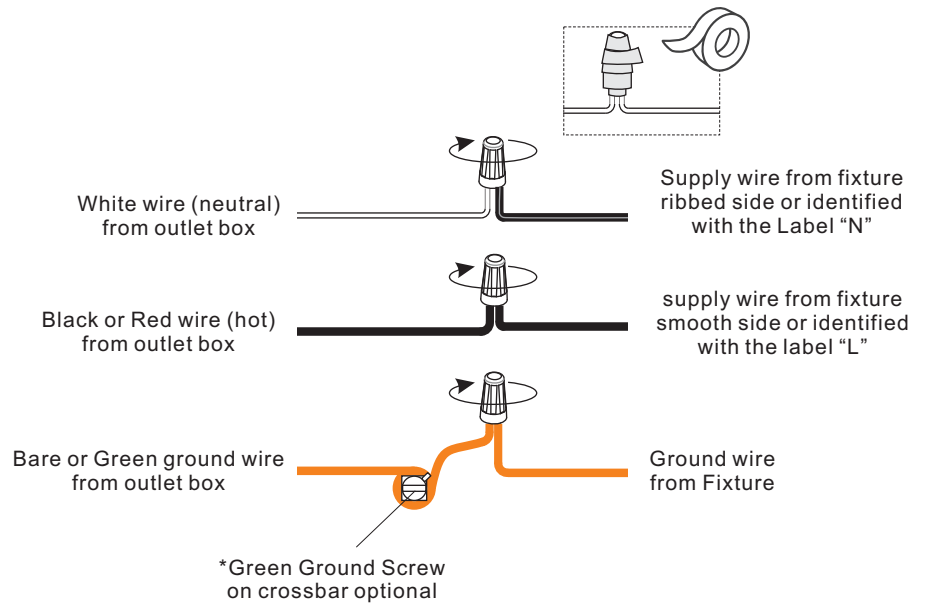
STEP 4

1

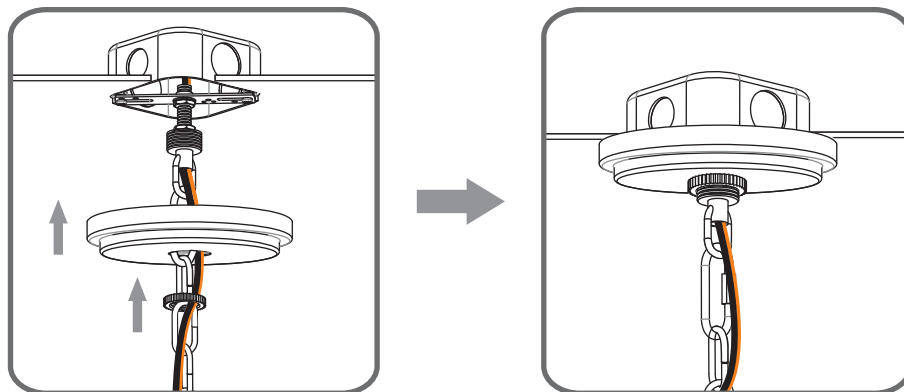
Step 1
Feed the fixture wires through the loop



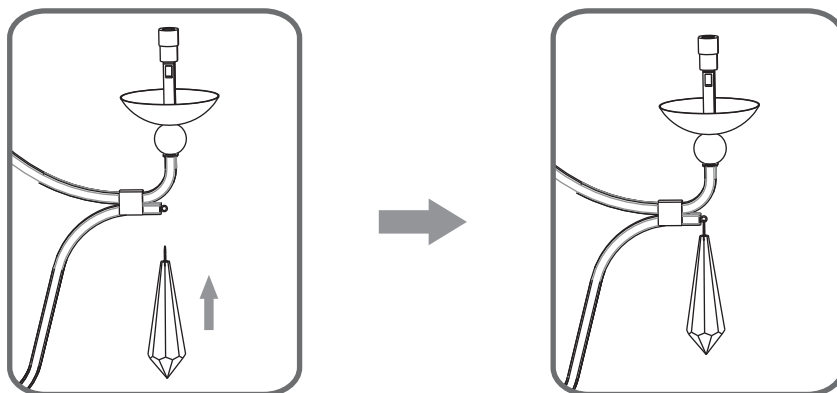
2



STEP 5



STEP 6



STEP 7

