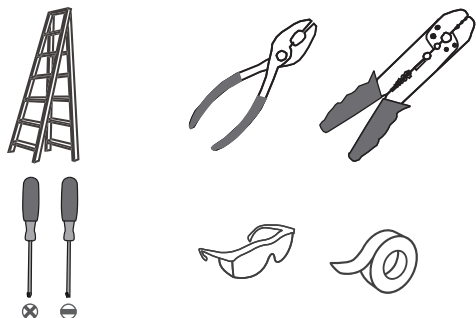
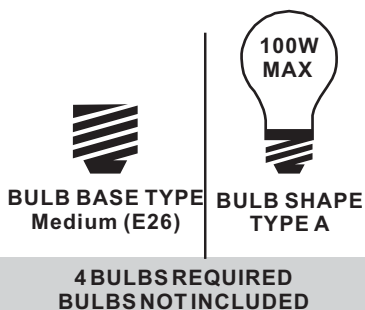


### Tools Required



### Light Source



### Fixture Height Adjustable 14.75" to 50.5"

#### ⚠ Warnings and Cautions

Turn off the electricity at the circuit breaker before installation. Consult a licensed electrician if in doubt about installation.

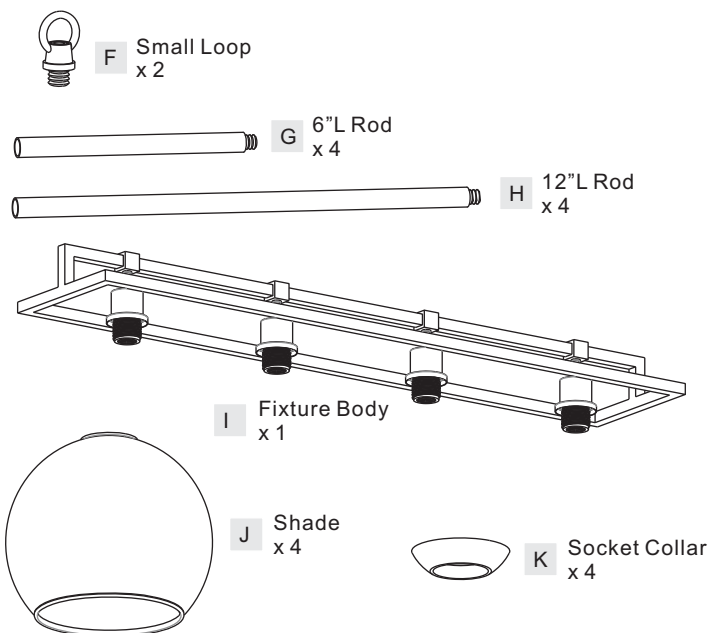
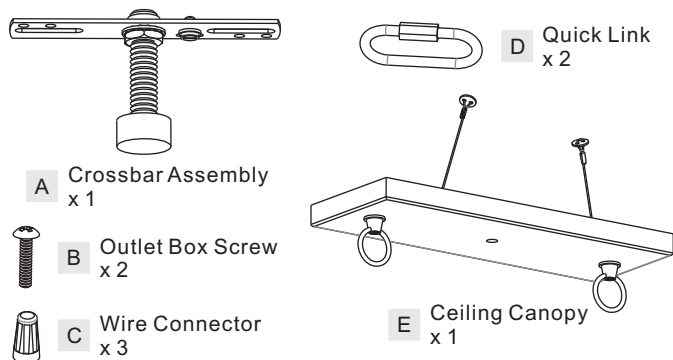
Turn off power to the fixture and allow the bulbs to cool before replacing.

### Package Contents

**Preparation:** Identify and inspect all parts before beginning the installation.

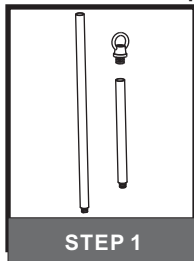
Missing or damaged parts? Contact your original place of purchase.

#### PARTS BAG

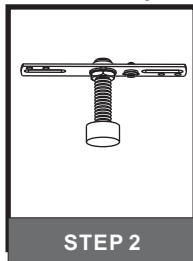


### Table of Contents

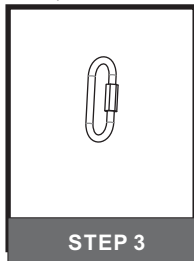
#### Rods & Small Loop



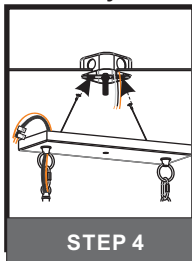
#### Crossbar Assembly



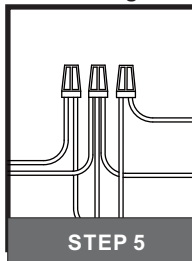
#### Quick Link



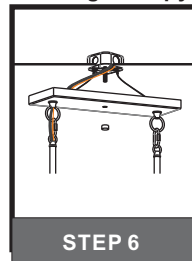
#### Lanyard



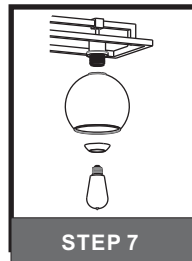
#### Wiring



#### Ceiling Canopy



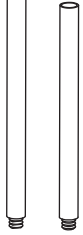
#### Shade & Bulb



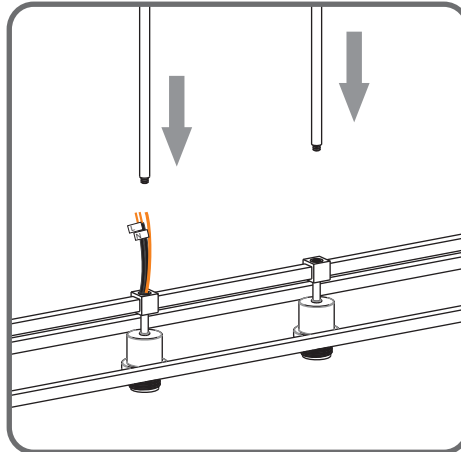
## STEP 1

### Optional Rods

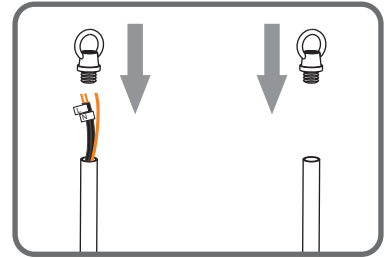
**8' ceiling:**  
(2) 6"L + (2) 12"L rods  
**9' ceiling:**  
(2) 6"L + (4) 12"L rods  
**10' ceiling:**  
(4) 6"L + (4) 12"L rods



1



2

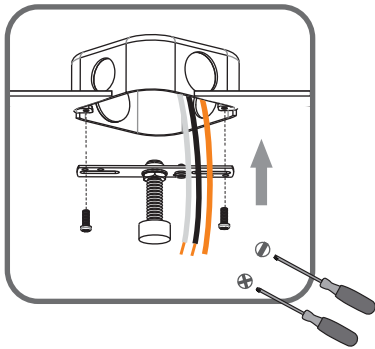


## STEP 2

1

### Step 1

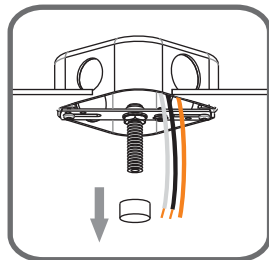
Install crossbar assembly



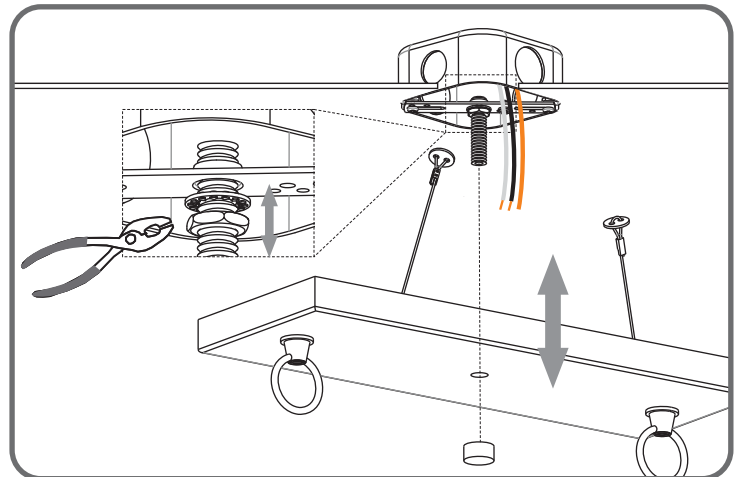
2

### Step 2 - 3

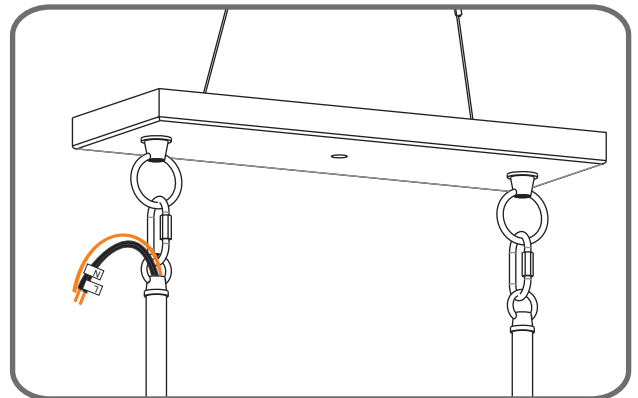
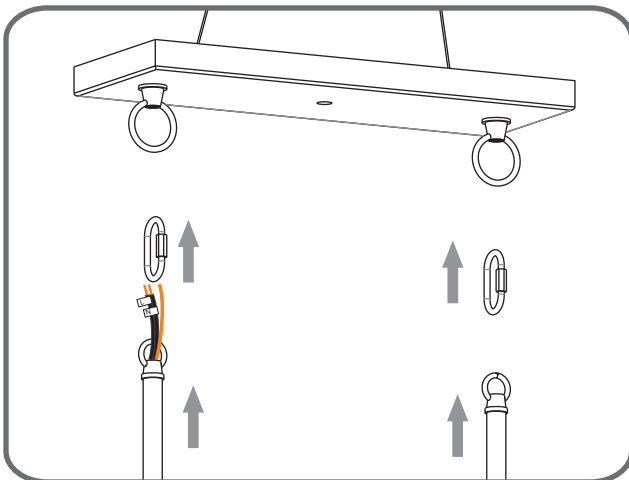
Test fitting ceiling canopy to nipple



3



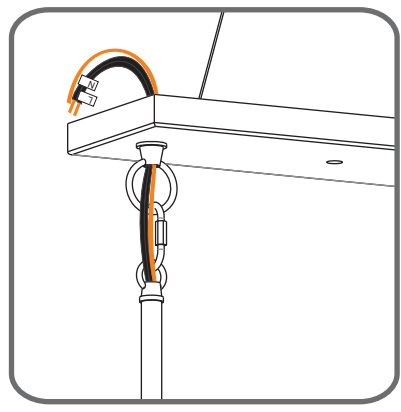
## STEP 3



# STEP 4

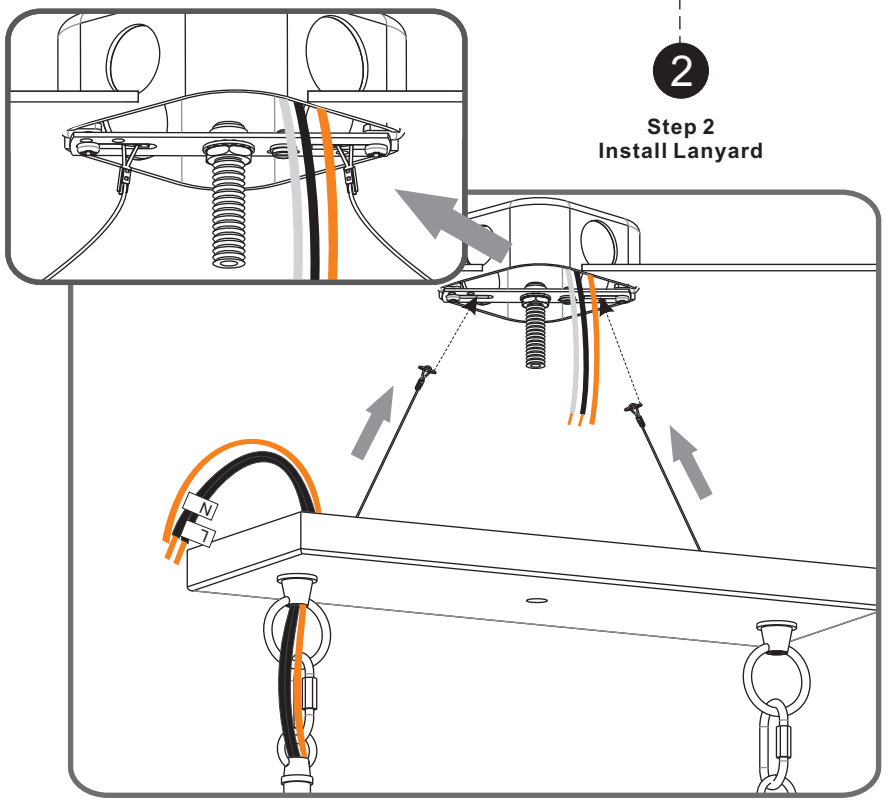
1

Step 1  
Feed the fixture wires  
through the ceiling canopy

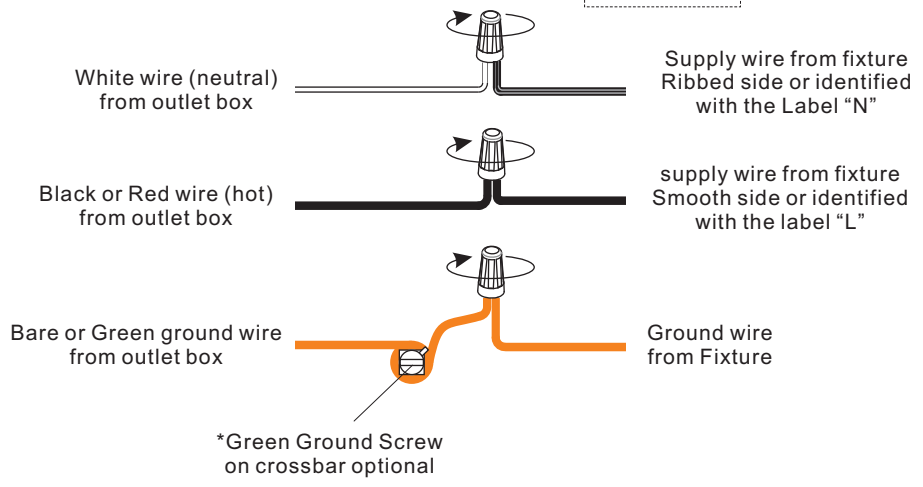
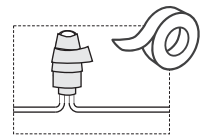


2

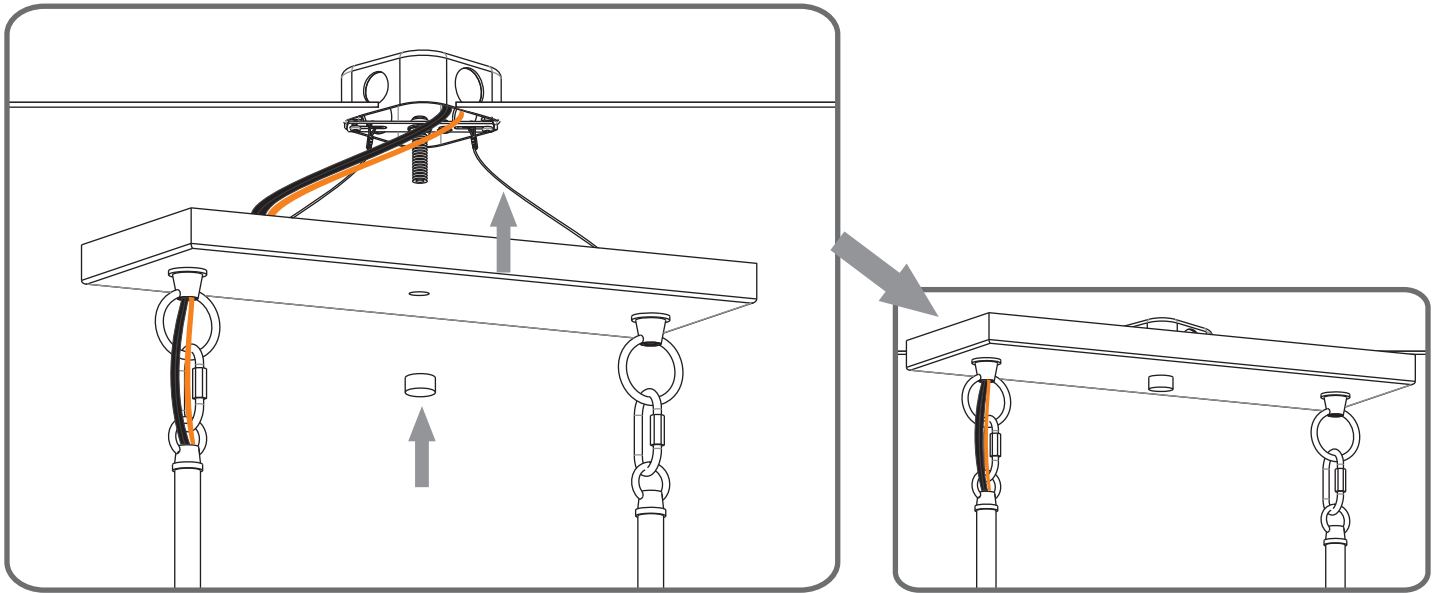
Step 2  
Install Lanyard



# STEP 5



**STEP 6**



**STEP 7**

