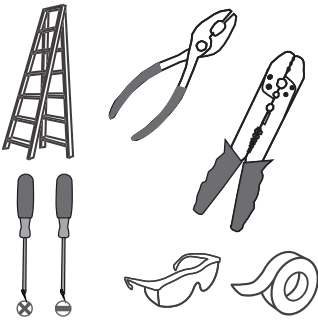
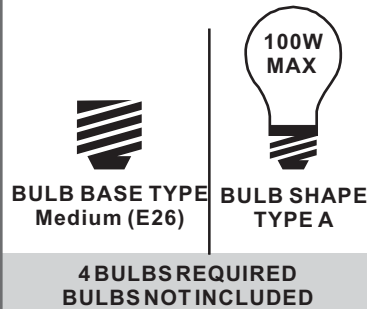


### Tools Required



### Light Source



### Warnings and Cautions

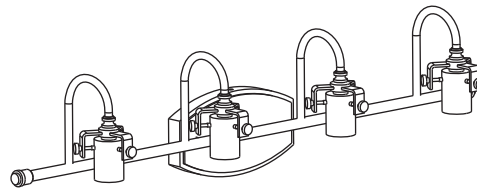
Turn off the electricity at the circuit breaker before installation. Consult a licensed electrician if in doubt about installation.

Turn off power to the fixture and allow the bulbs to cool before replacing.

### Package Contents

**Preparation:** Identify and inspect all parts before beginning the installation.

Missing or damaged parts? Contact your original place of purchase.



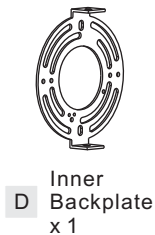
E Fixture Body  
x 1

#### PARTS BAG

A Mounting Screw  
x 2

B Outlet Box Screw  
x 2

C Wire Connector  
x 3



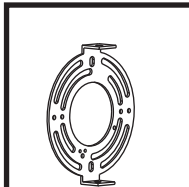
D Inner Backplate  
x 1



F Shade  
x 4

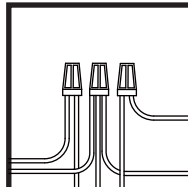
### Table of Contents

#### Inner Backplate



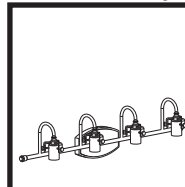
STEP 1

#### Wiring



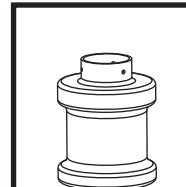
STEP 2

#### Fixture Body



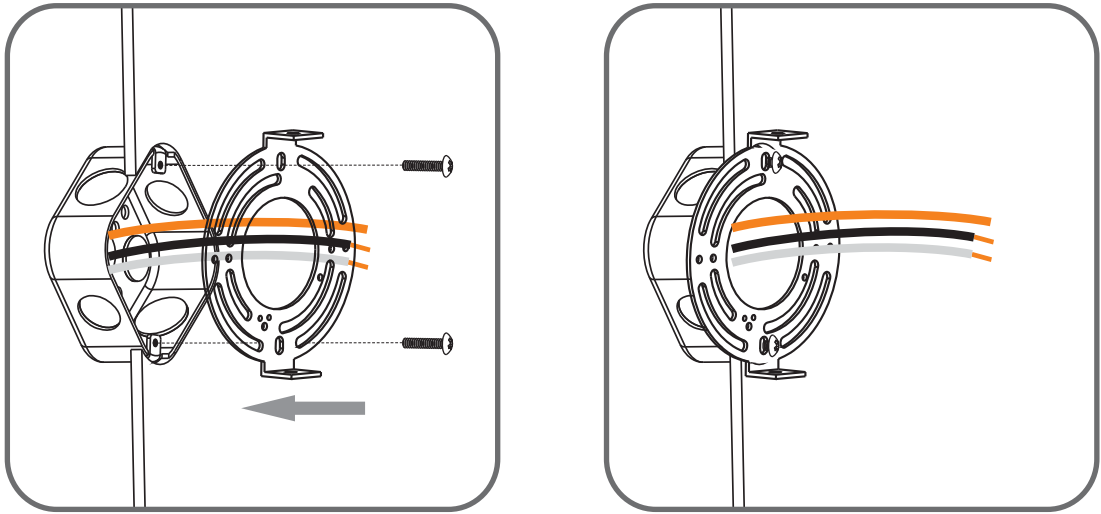
STEP 3

#### Shade & Bulb

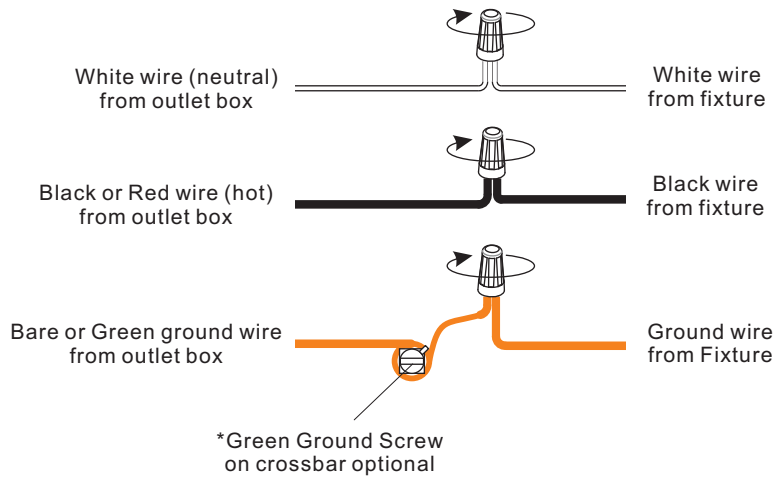


STEP 4

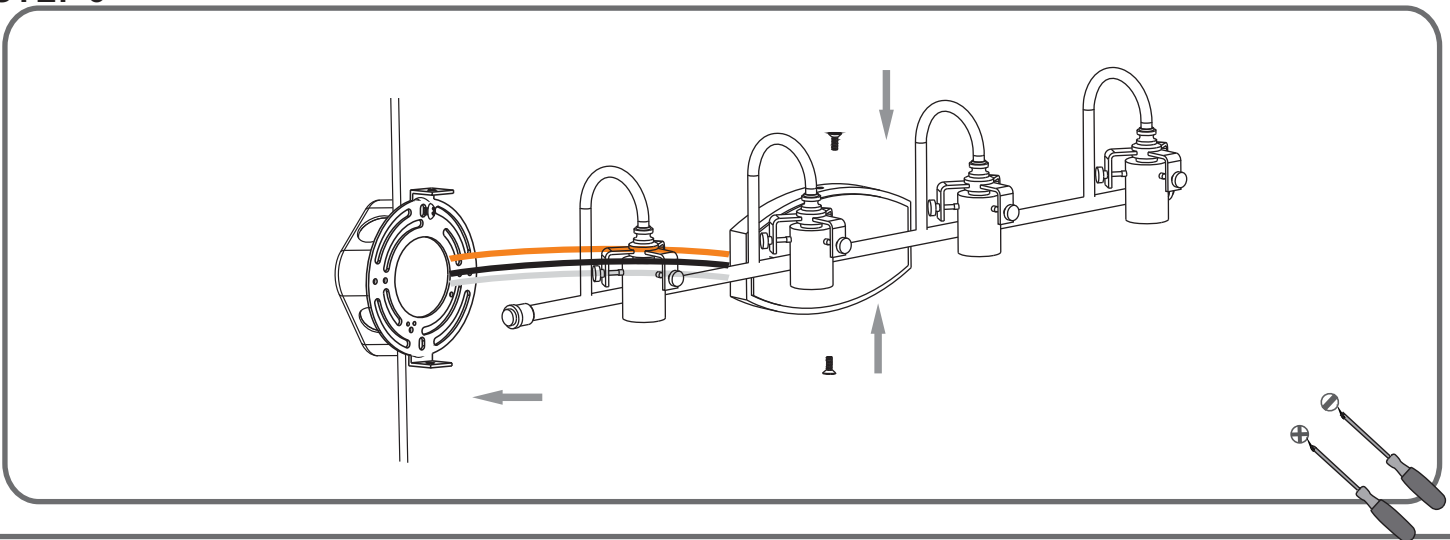
### STEP 1



### STEP 2

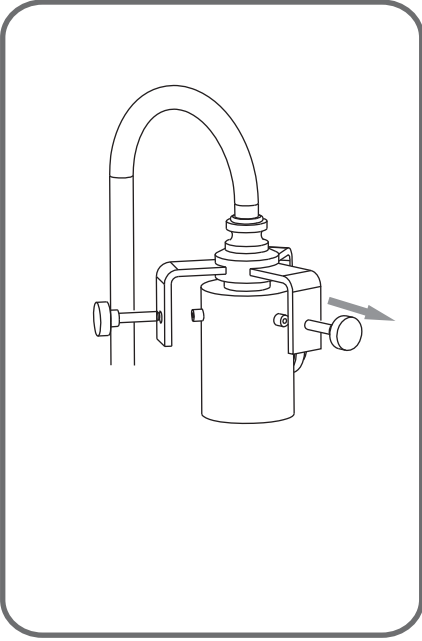


### STEP 3



STEP 4

1



2

