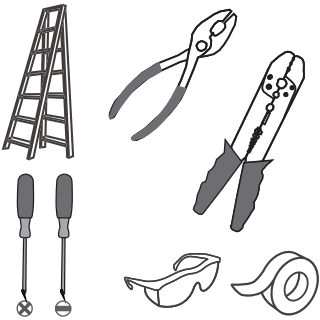
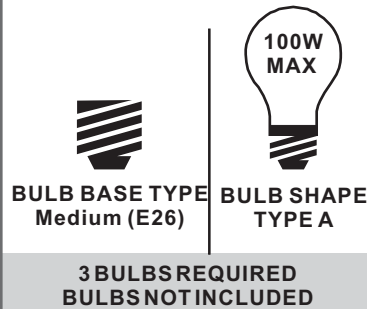


### Tools Required



### Light Source



### Warnings and Cautions

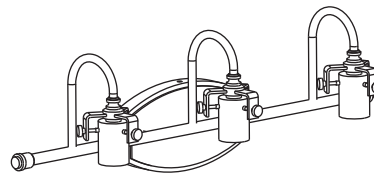
Turn off the electricity at the circuit breaker before installation. Consult a licensed electrician if in doubt about installation.

Turn off power to the fixture and allow the bulbs to cool before replacing.

### Package Contents

**Preparation:** Identify and inspect all parts before beginning the installation.

Missing or damaged parts? Contact your original place of purchase.



**E** Fixture Body  
x 1

#### PARTS BAG

**A** Mounting Screw  
x 2

**B** Outlet Box Screw  
x 2

**C** Wire Connector  
x 3

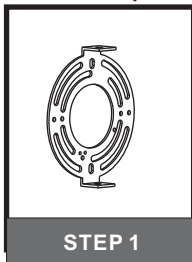
**D** Inner Backplate  
x 1



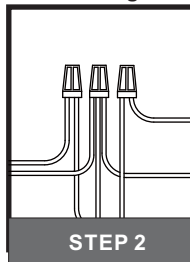
**F** Shade  
x 3

### Table of Contents

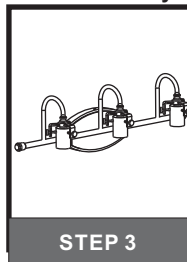
#### Inner Backplate



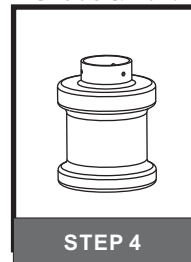
#### Wiring



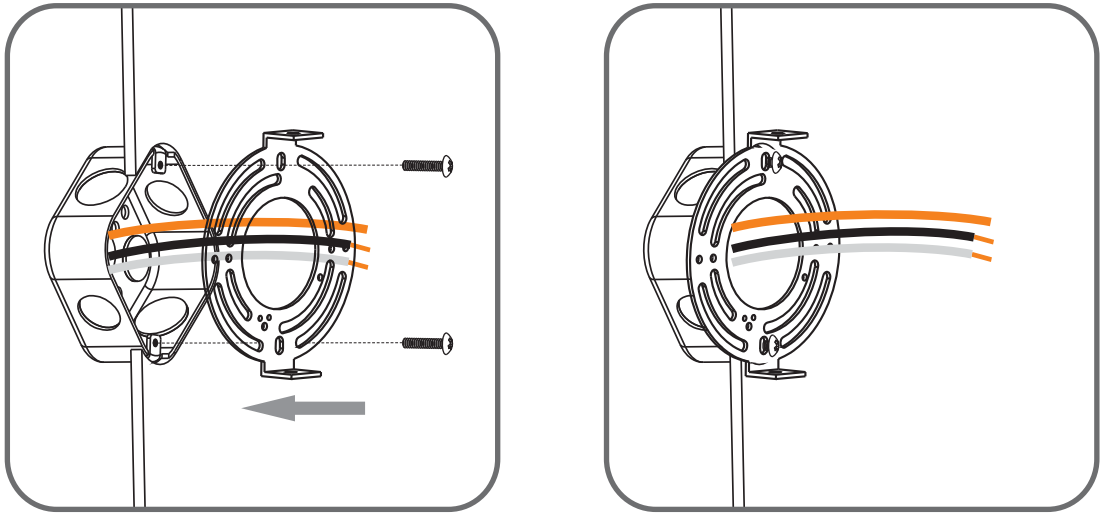
#### Fixture Body



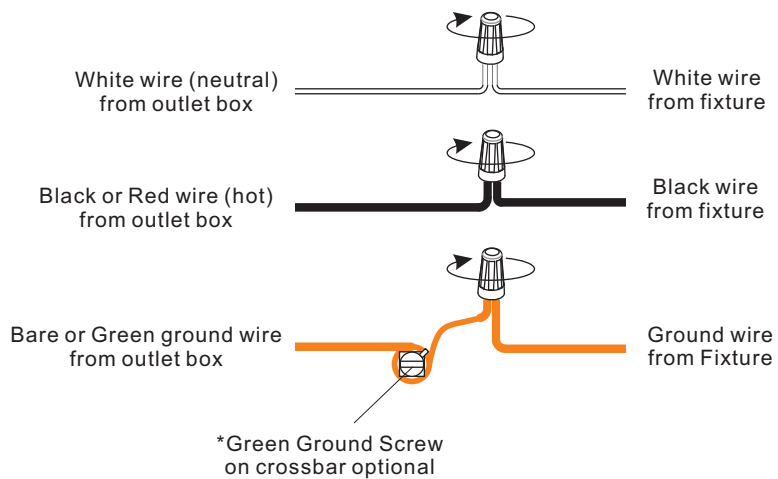
#### Shade & Bulb



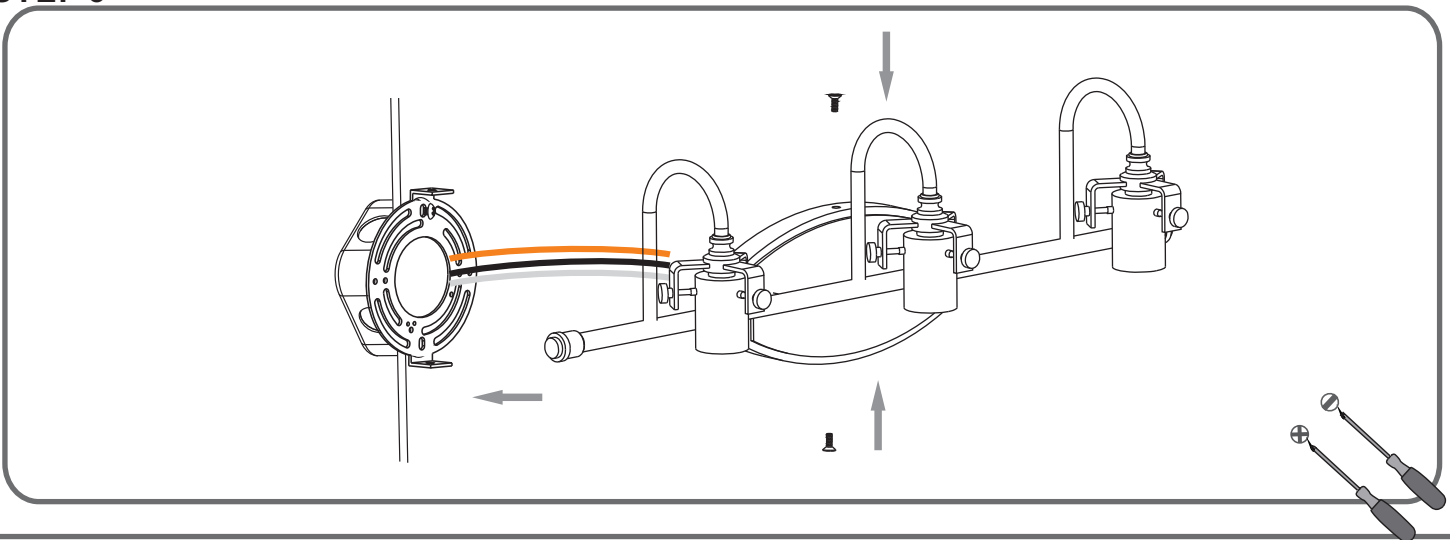
### STEP 1



### STEP 2

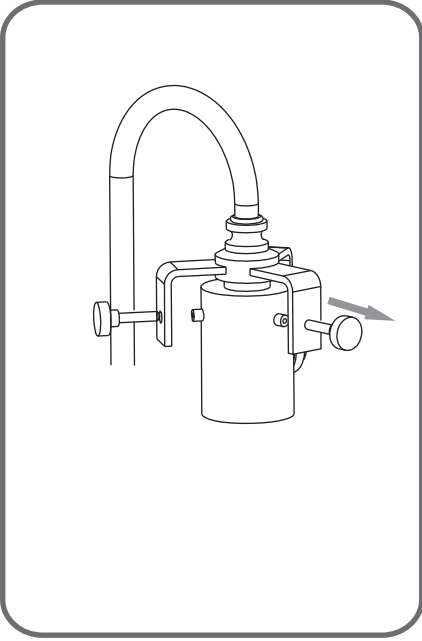


### STEP 3



STEP 4

1



2

