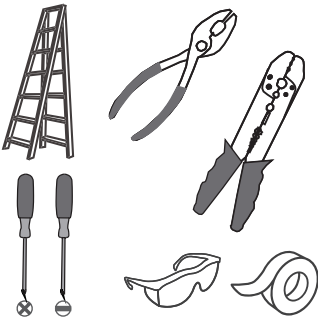
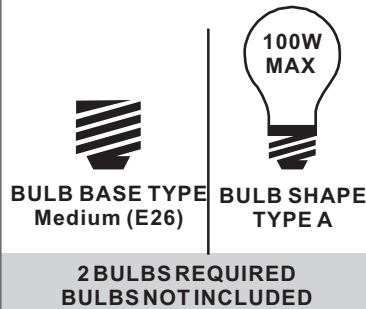


Tools Required



Light Source



⚠ Warnings and Cautions

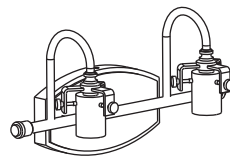
Turn off the electricity at the circuit breaker before installation. Consult a licensed electrician if in doubt about installation.

Turn off power to the fixture and allow the bulbs to cool before replacing.

Package Contents

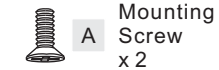
Preparation: Identify and inspect all parts before beginning the installation.

Missing or damaged parts? Contact your original place of purchase.



E Fixture Body
x 1

PARTS BAG



A Mounting Screw
x 2



B Outlet Box Screw
x 2



C Wire Connector
x 3



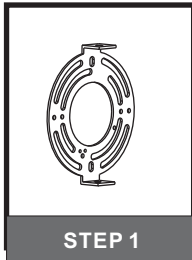
D Inner Backplate
x 1



F Shade
x 2

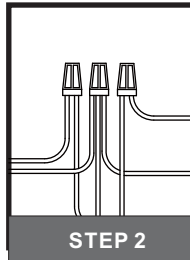
Table of Contents

Inner Backplate



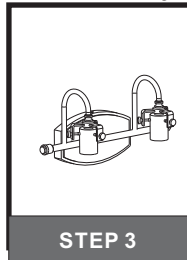
STEP 1

Wiring



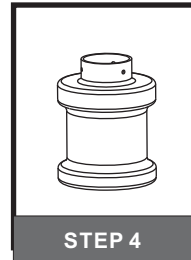
STEP 2

Fixture Body



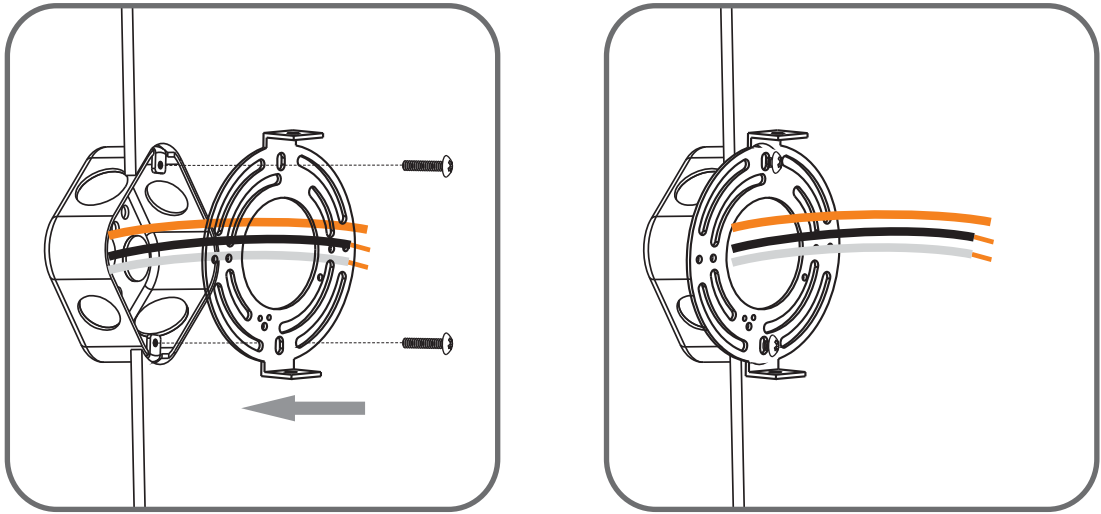
STEP 3

Shade & Bulb

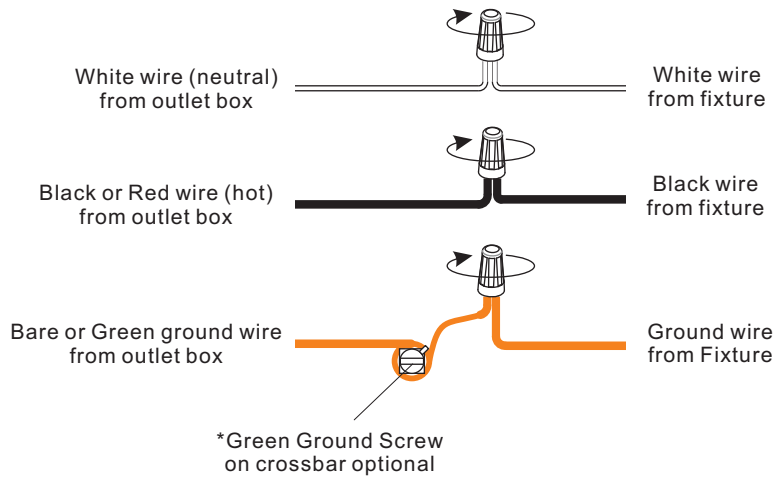


STEP 4

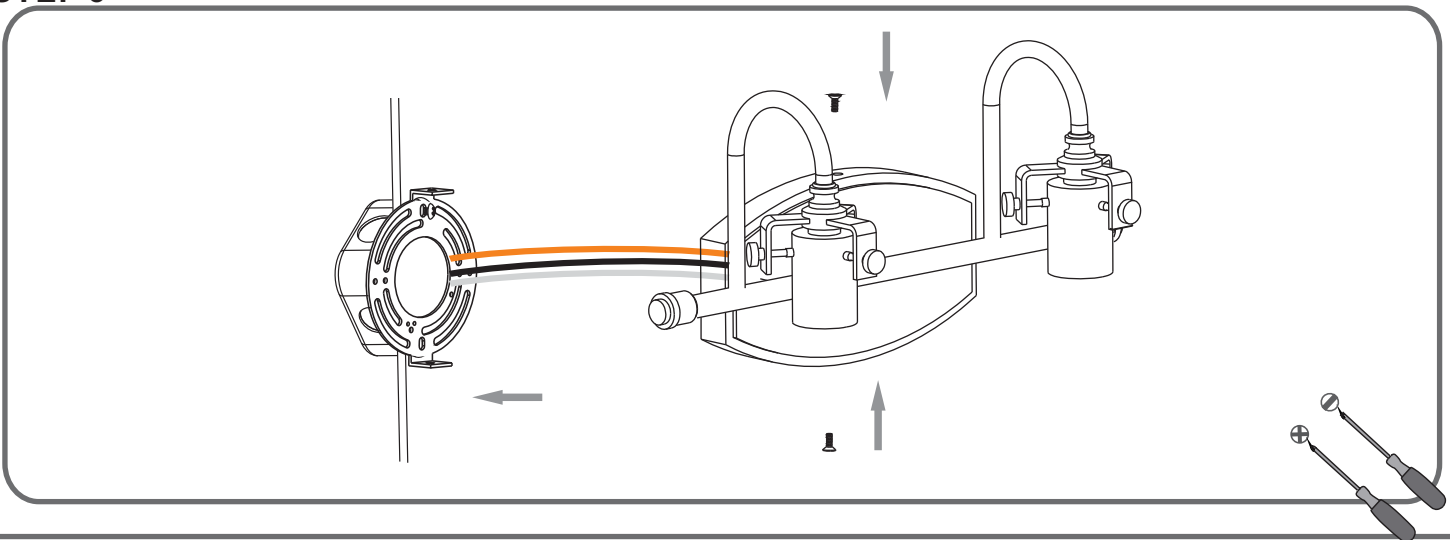
STEP 1



STEP 2

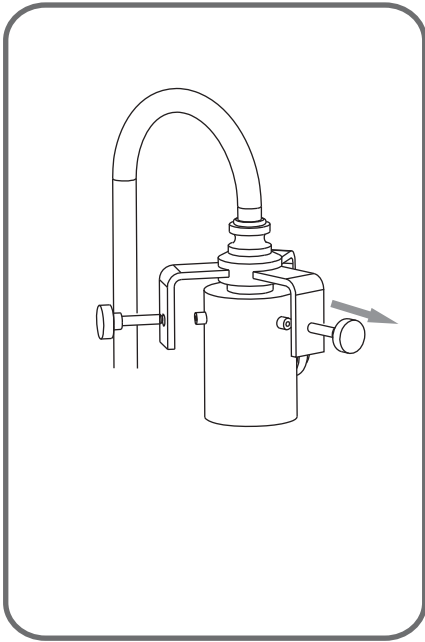


STEP 3



STEP 4

1



2

