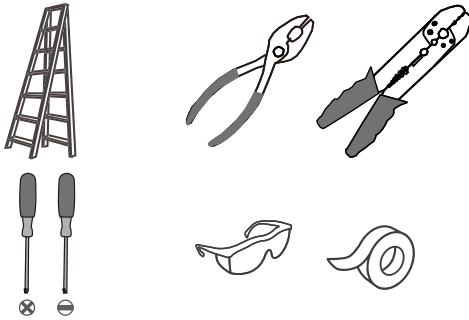
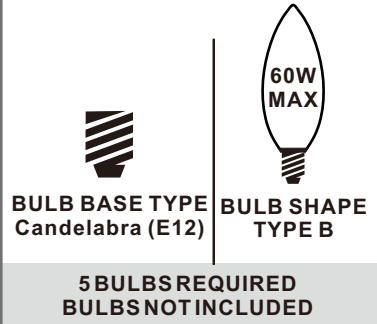


Tools Required



Light Source



Fixture Height Adjustable 16" to 53.75"

⚠ Warnings and Cautions

Turn off the electricity at the circuit breaker before installation. Consult a licensed electrician if in doubt about installation.

Turn off power to the fixture and allow the bulbs to cool before replacing.

Package Contents

Preparation: Identify and inspect all parts before beginning the installation.

Missing or damaged parts? Contact your original place of purchase.

PARTS BAG

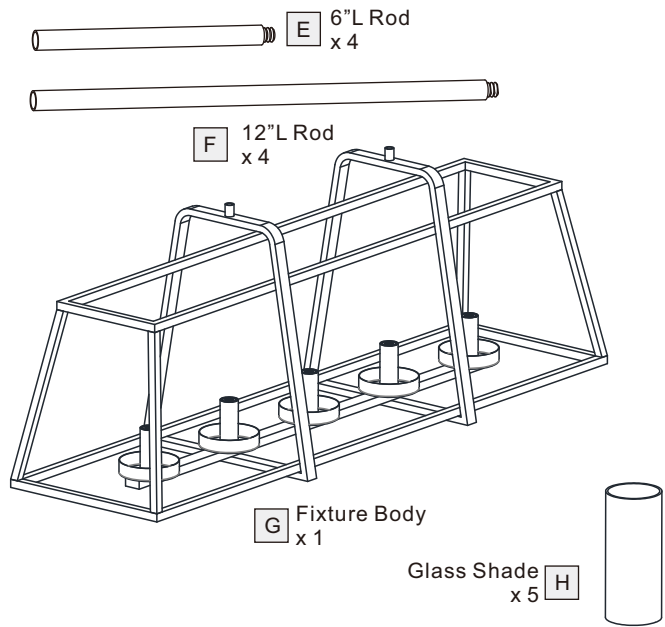
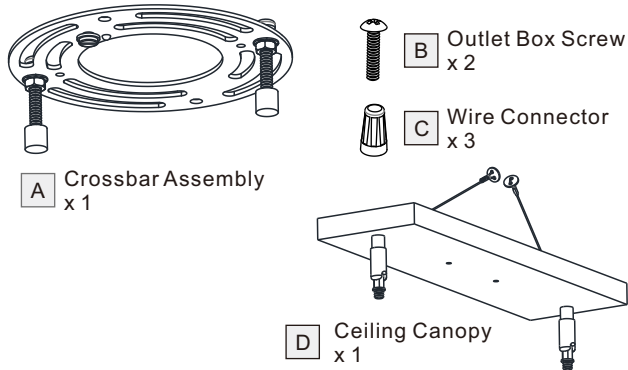


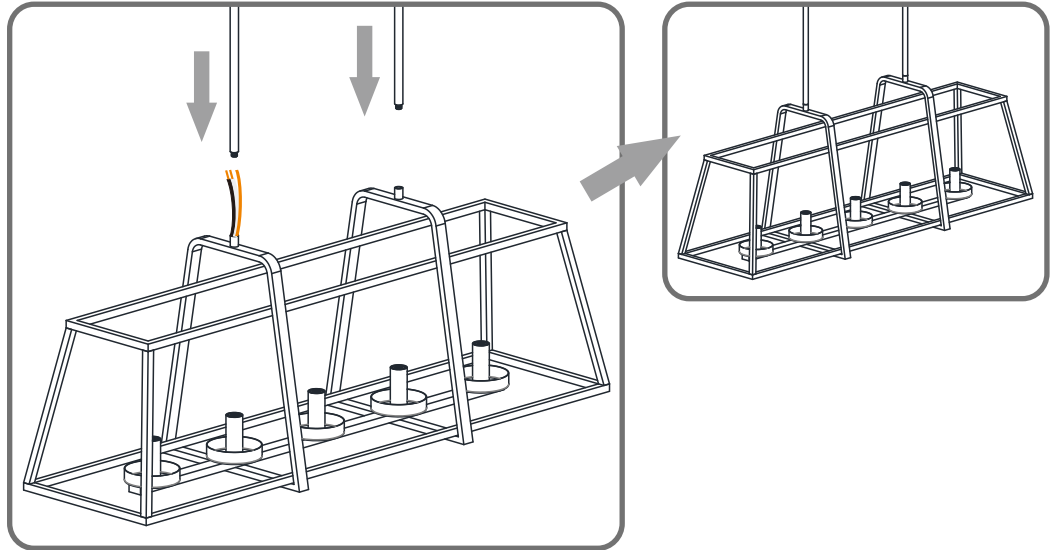
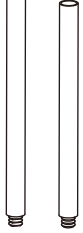
Table of Contents

Rods	Crossbar Assembly	Ceiling Canopy to Rods	Lanyard	Wiring	Ceiling Canopy to ceiling	Bulbs & Glass Shade
STEP 1	STEP 2	STEP 3	STEP 4	STEP 5	STEP 6	STEP 7

STEP 1

Optional Rods

- 8' ceiling:
(2) 6"L + (2) 12"L rods
- 9' ceiling:
(2) 6"L + (4) 12"L rods
- 10' ceiling:
(4) 6"L + (4) 12"L rods

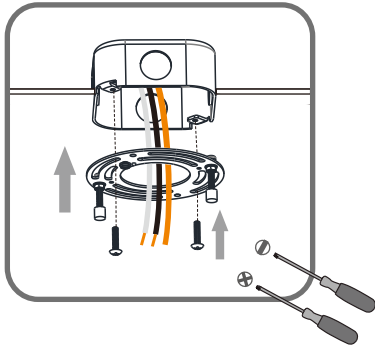


STEP 2

1

Step 1

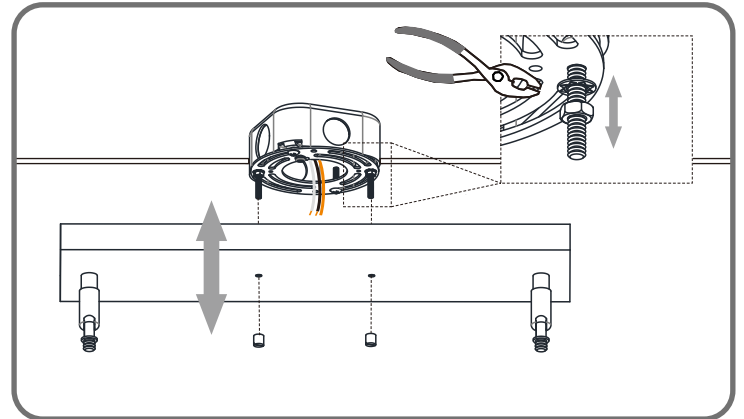
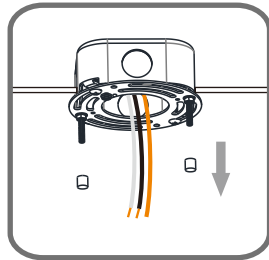
Install crossbar assembly



2

Step 2 - 3

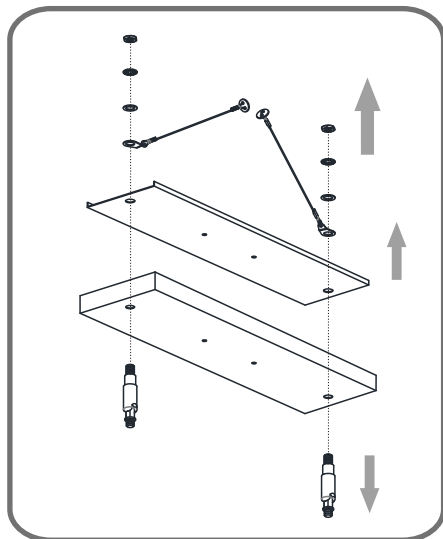
Test fitting ceiling canopy to mounting screws



STEP 3

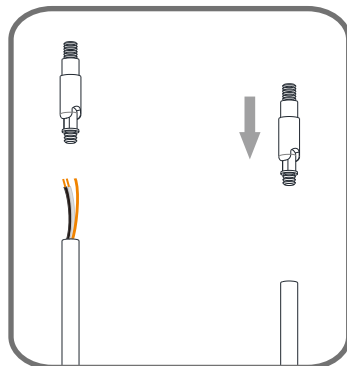
1

Separate swivel from ceiling canopy



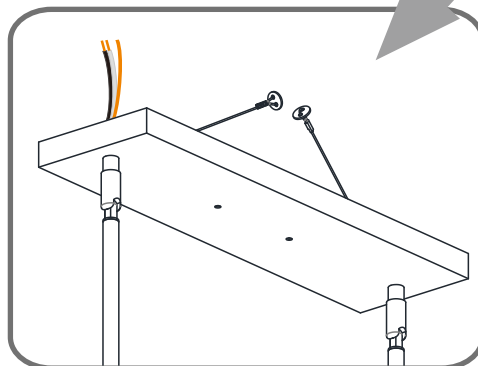
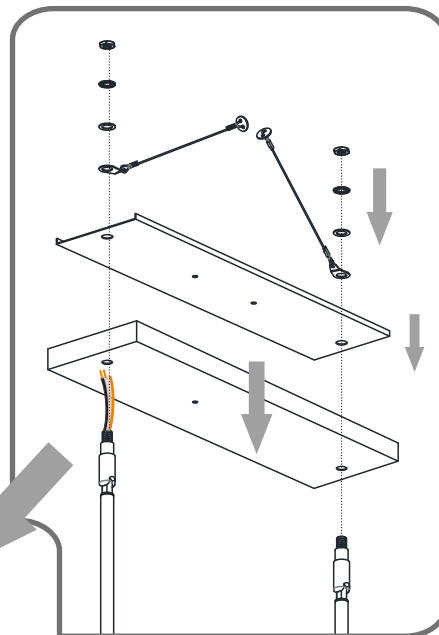
2

Install swivel to upper rods

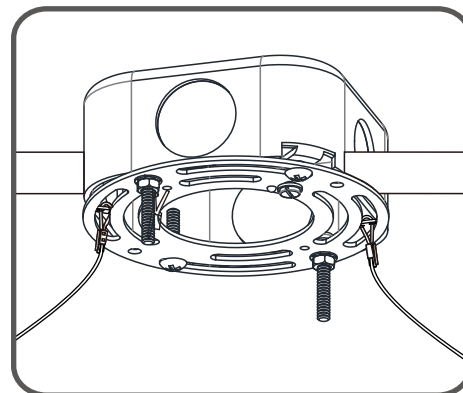
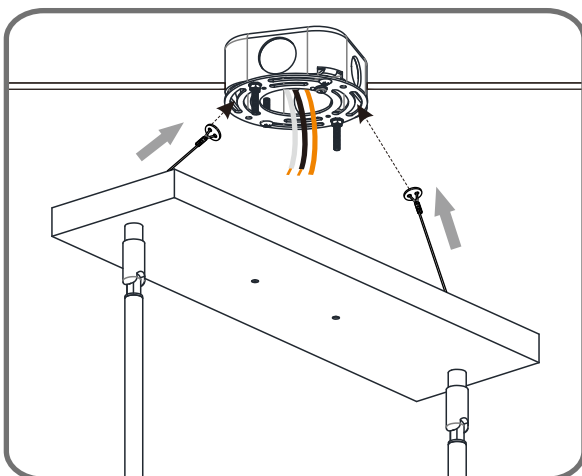


3

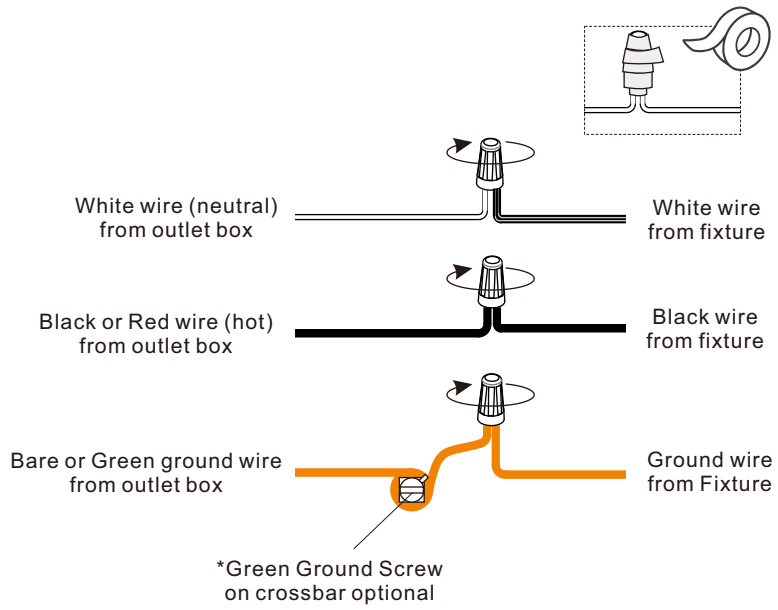
Reinstall ceiling canopy and reinforce plate to swivel



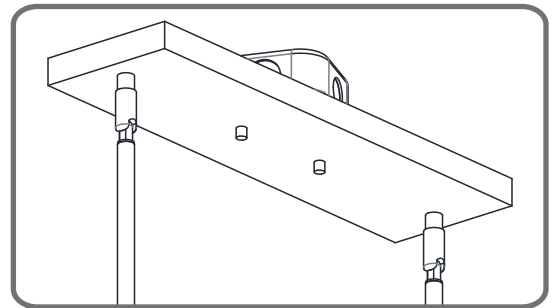
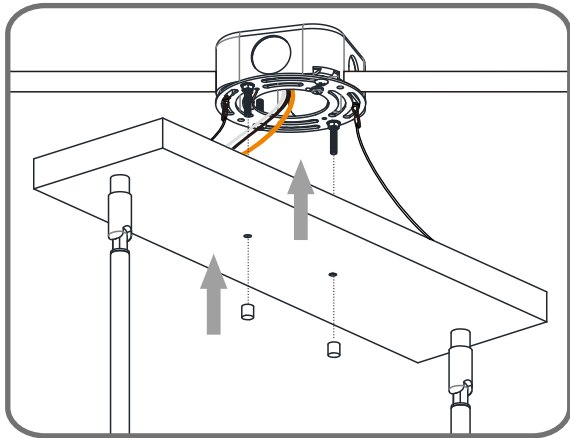
STEP 4



STEP 5



STEP 6



STEP 7

