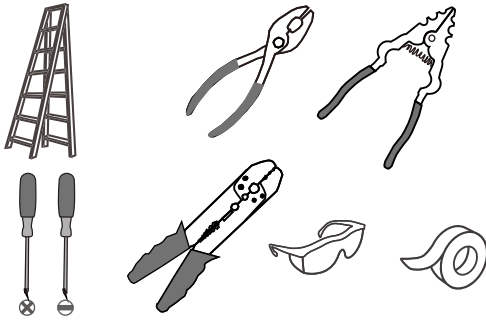
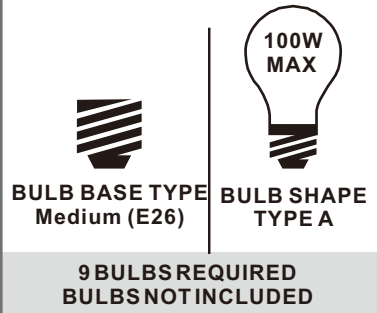


### Tools Required



### Light Source



### Fixture Height Adjustable 35" to 130.75"

#### ⚠ Warnings and Cautions

Turn off the electricity at the circuit breaker before installation. Consult a licensed electrician if in doubt about installation.

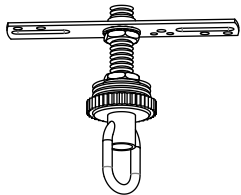
Turn off power to the fixture and allow the bulbs to cool before replacing.

### Package Contents

**Preparation:** Identify and inspect all parts before beginning the installation.

Missing or damaged parts? Contact your original place of purchase.

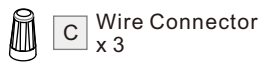
#### PARTS BAG



**A** Crossbar Assembly x 1



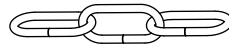
**B** Outlet Box Screw x 2



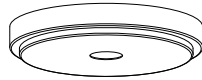
**C** Wire Connector x 3



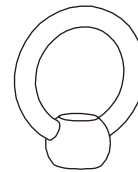
**D** Quick Link x 2



**E** Fixture Chain x 1



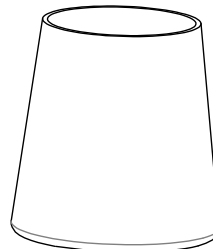
**F** Ceiling Canopy x 1



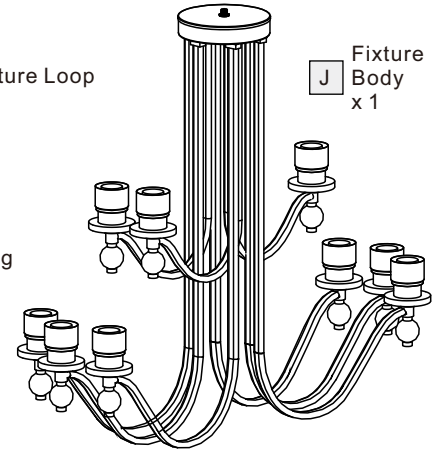
**G** Fixture Loop x 1



**H** Ring x 1



**I** Shade x 9



**J** Fixture Body x 1



**K** Lock Ball x 6



**L** Socket Collar x 9

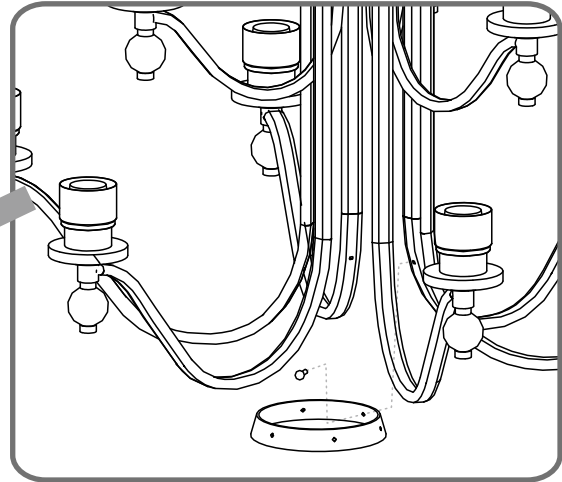
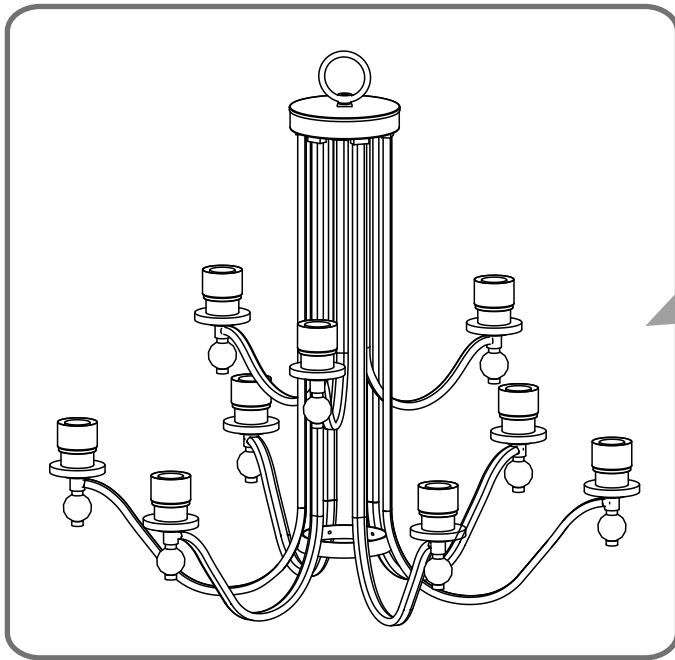
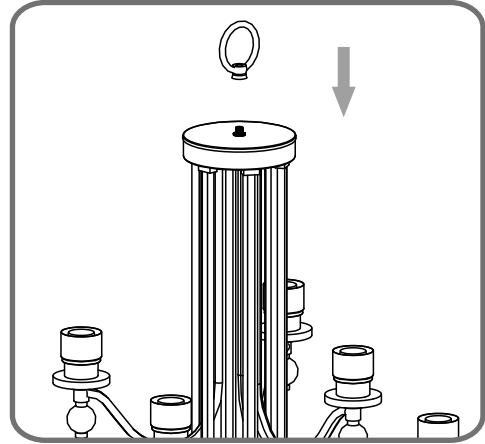
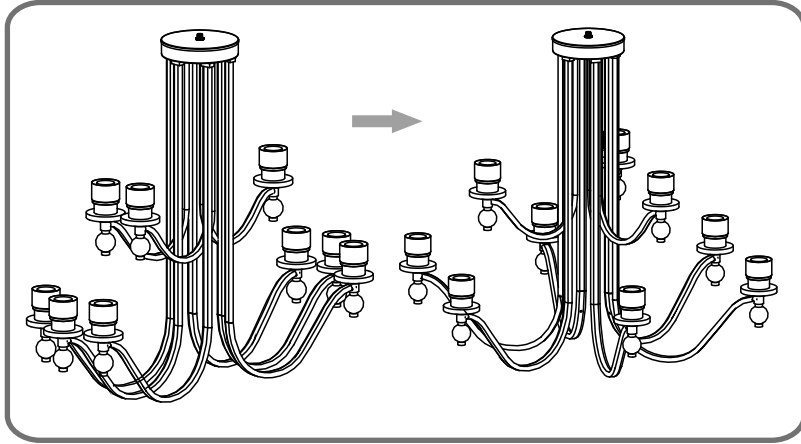
### Table of Contents

Fixture Loop	Crossbar Assembly	Fixture Chain	Wiring	Ceiling Canopy	Bulb
STEP 1	STEP 2	STEP 3	STEP 4	STEP 5	STEP 6

**STEP 1**

1

2



3

**STEP 2**

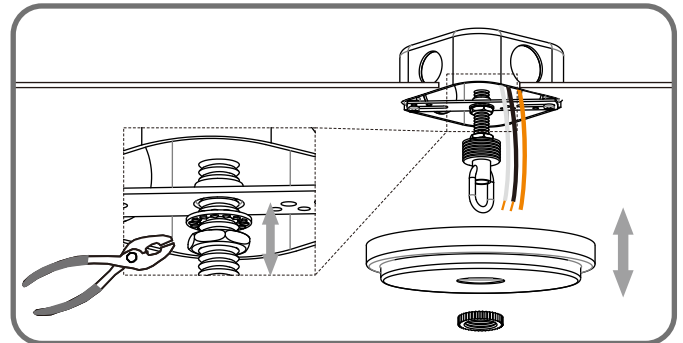
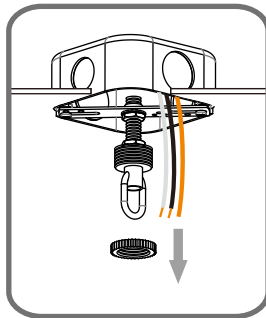
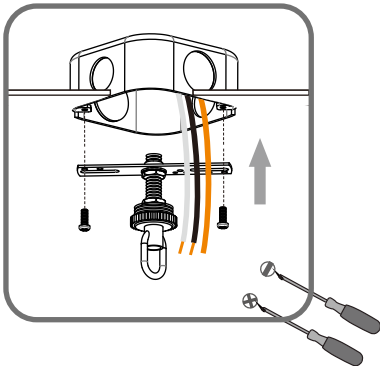
1

2

3

**Step 1**  
Install crossbar assembly

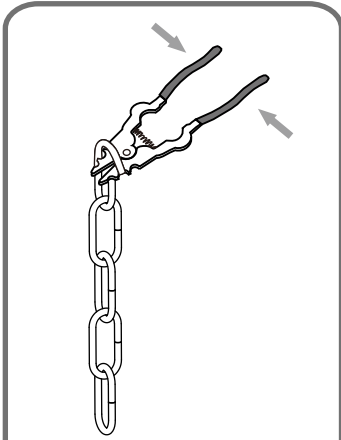
**Step 2 - 3**  
Test fitting ceiling canopy to nipple



### STEP 3

1

Step 1  
Adjust fixture chain length

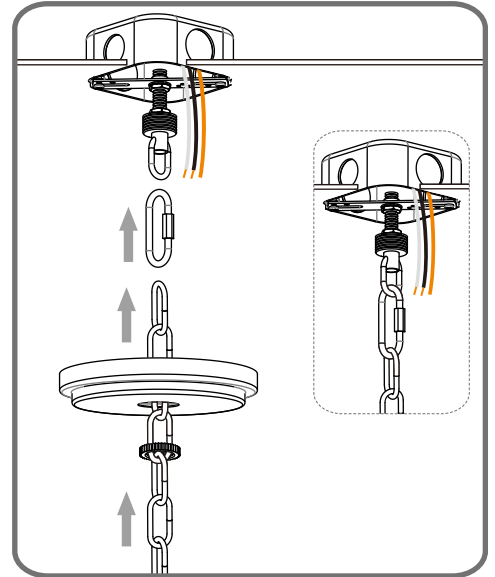
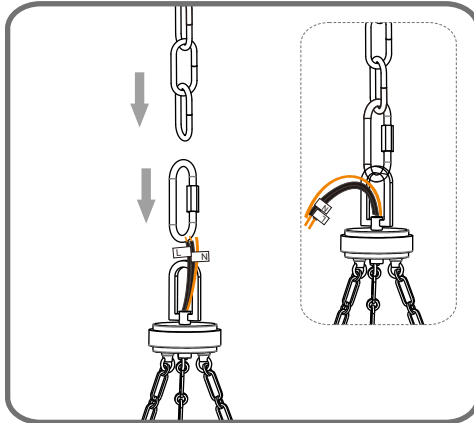


Suggested Chain Length:

8' ceiling: 6" Chain  
9' ceiling: 18" Chain  
10' ceiling: 30" Chain

2

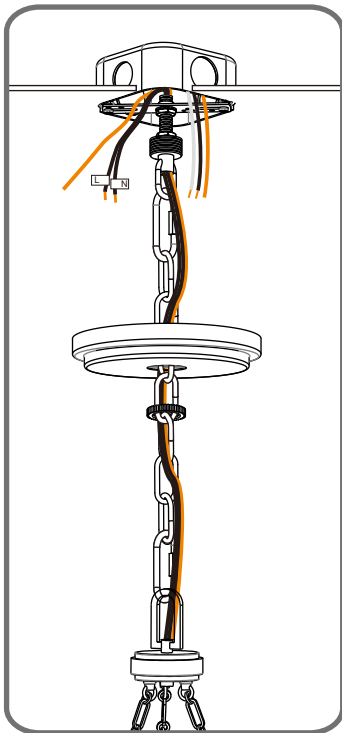
Step 2 - 3  
Install Fixture Chain



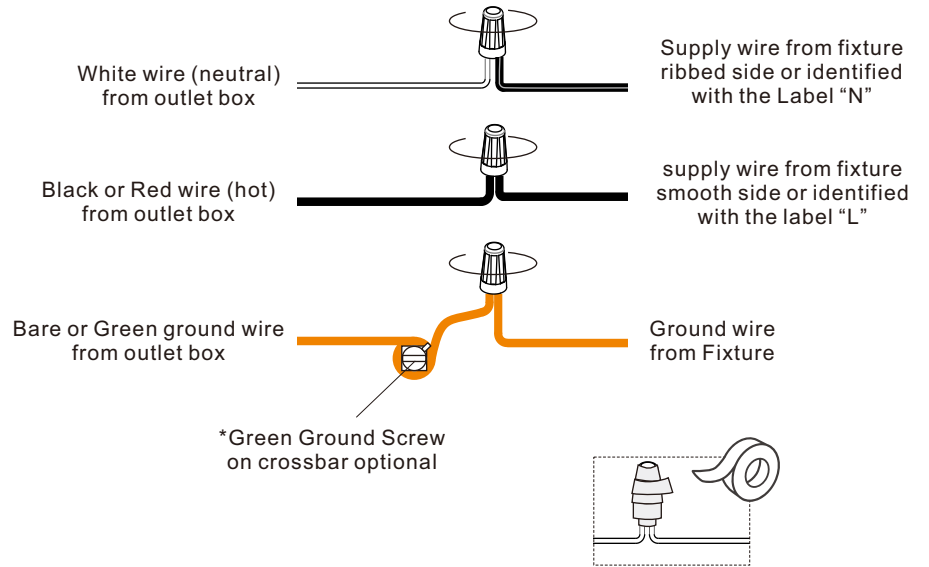
### STEP 4

1

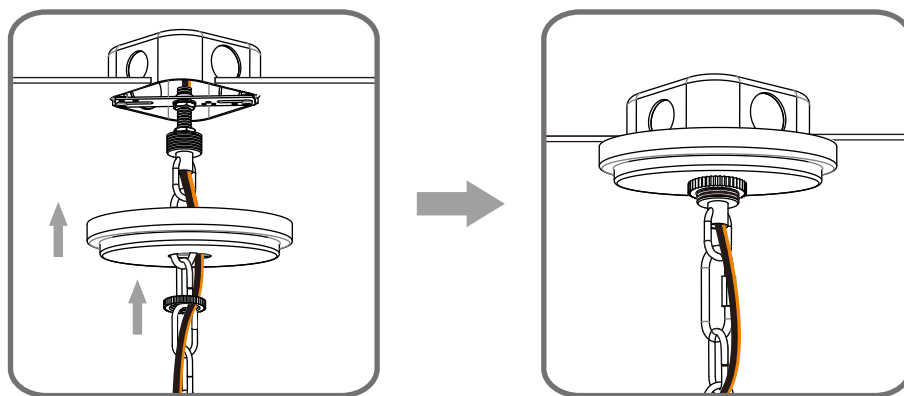
Step 1  
Feed the fixture wires  
through the loop



2



**STEP 5**



**STEP 6**

