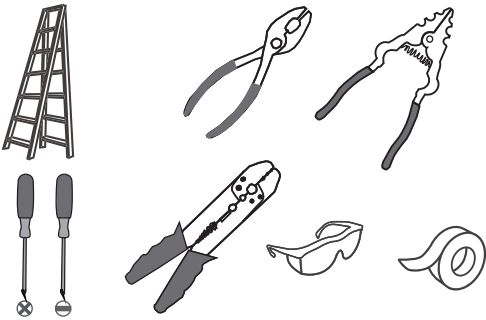
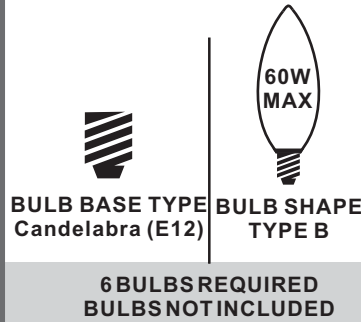


### Tools Required



### Light Source



### Fixture Height Adjustable 33" to 129"

#### ⚠ Warnings and Cautions

Turn off the electricity at the circuit breaker before installation. Consult a licensed electrician if in doubt about installation.

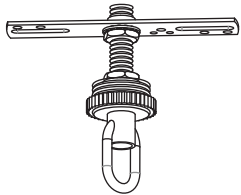
Turn off power to the fixture and allow the bulbs to cool before replacing.

### Package Contents

**Preparation:** Identify and inspect all parts before beginning the installation.

Missing or damaged parts? Contact your original place of purchase.

#### PARTS BAG



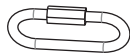
**A** Crossbar Assembly  
x 1



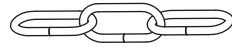
**B** Outlet Box Screw  
x 2



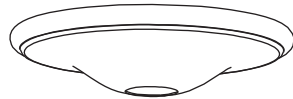
**C** Wire Connector  
x 3



**D** Quick Link  
x 2

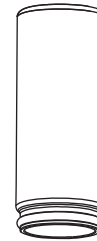
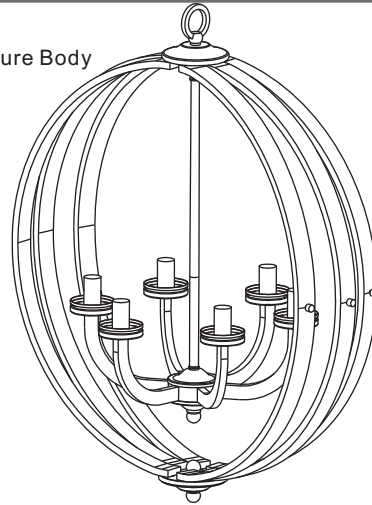


**E** Fixture Chain  
x 1

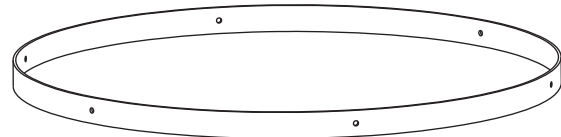


**F** Ceiling Canopy  
x 1

**G** Fixture Body  
x 1



**H** Shade  
x 6



**I** Ring  
x 1

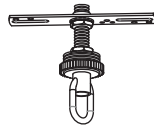
### Table of Contents

#### Fixture Body



STEP 1

#### Crossbar Assembly



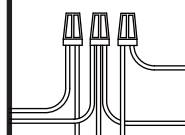
STEP 2

#### Fixture Chain



STEP 3

#### Wiring



STEP 4

#### Ceiling Canopy



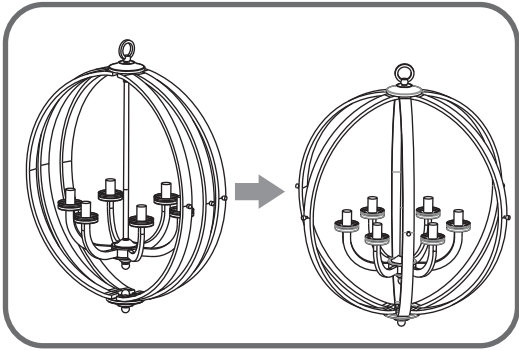
STEP 5

#### Bulb



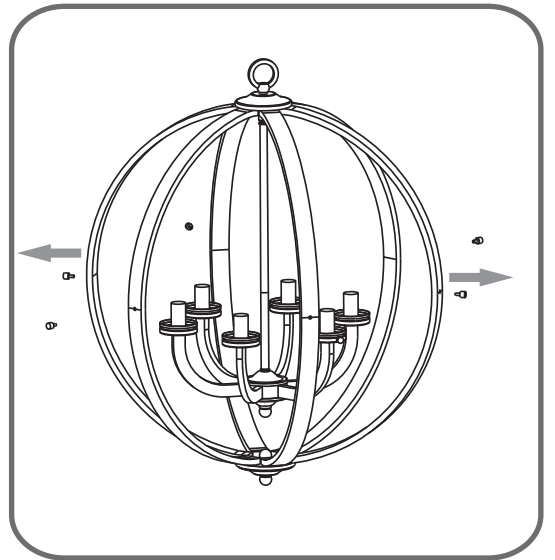
STEP 6

**STEP 1**

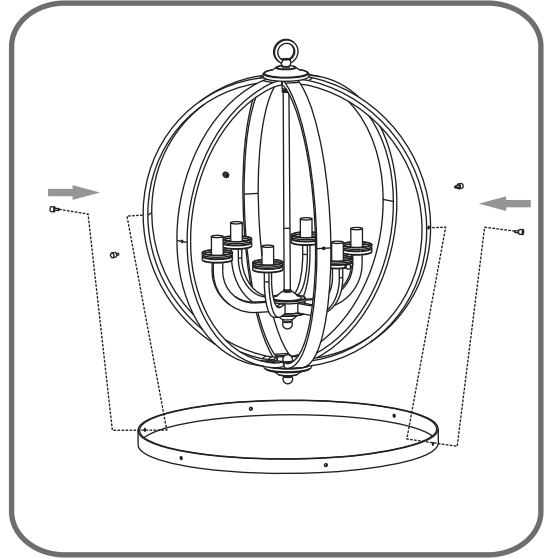


1

2



3



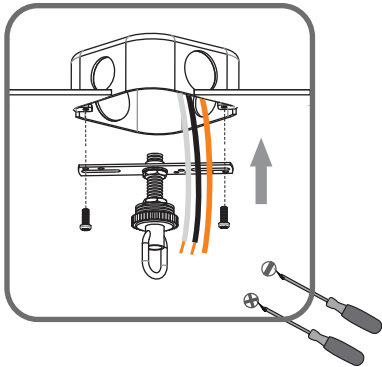
**STEP 2**

1

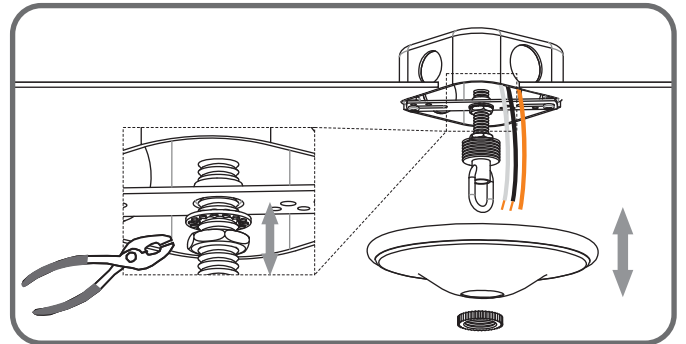
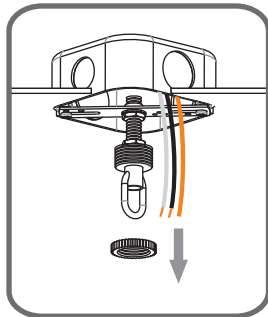
2

3

**Step 1**  
Install crossbar assembly



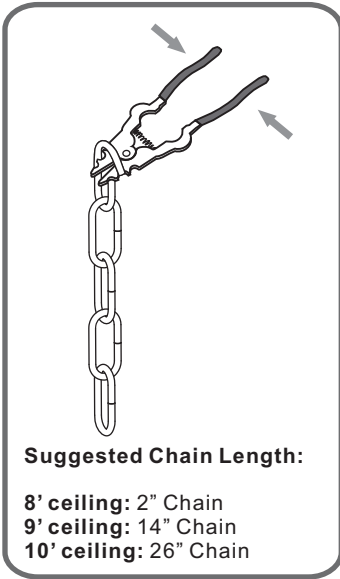
**Step 2 - 3**  
Test fitting ceiling canopy to nipple



### STEP 3

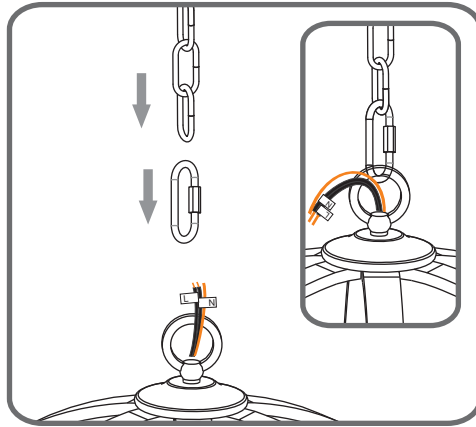
1

Step 1  
Adjust fixture chain length

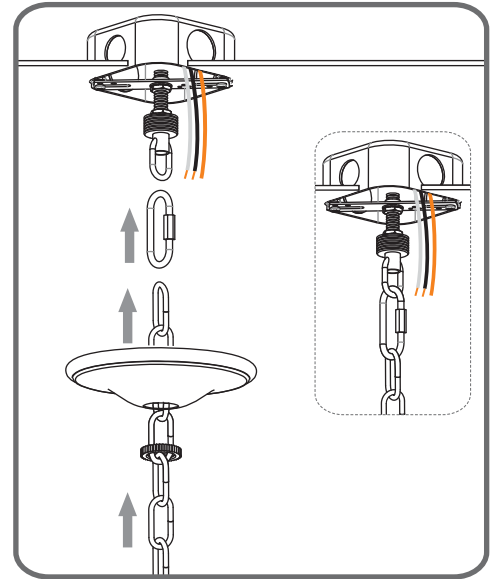


2

Step 2 - 3  
Install Fixture Chain



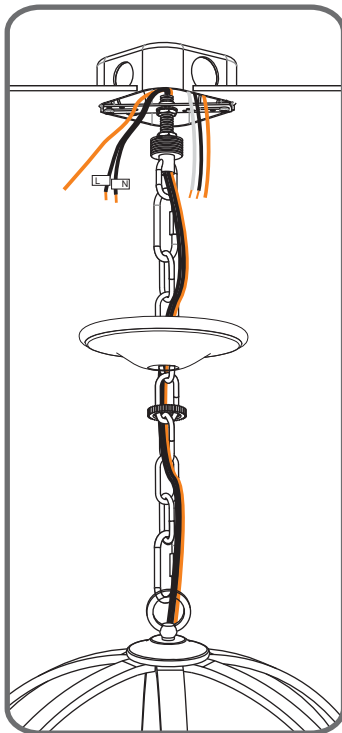
3



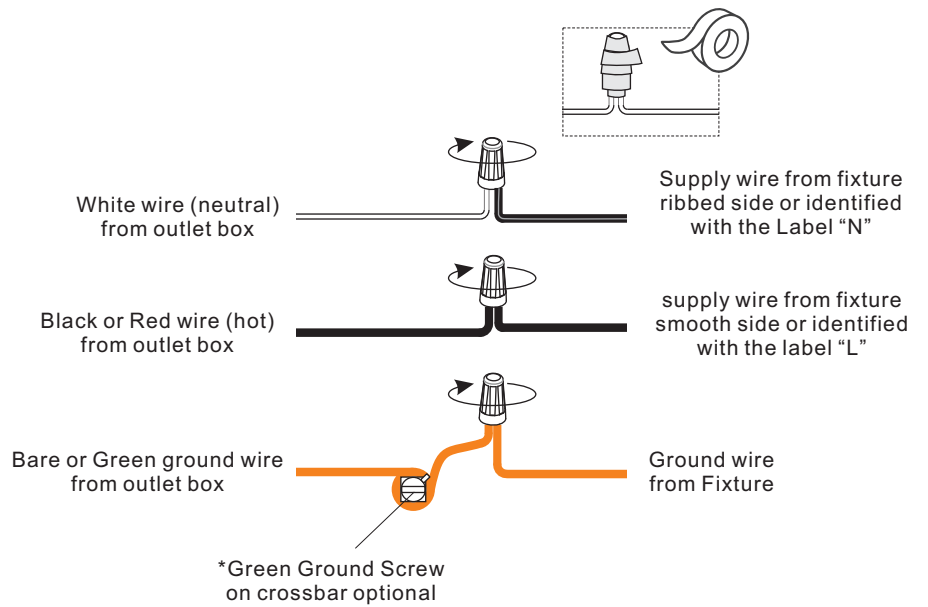
### STEP 4

1

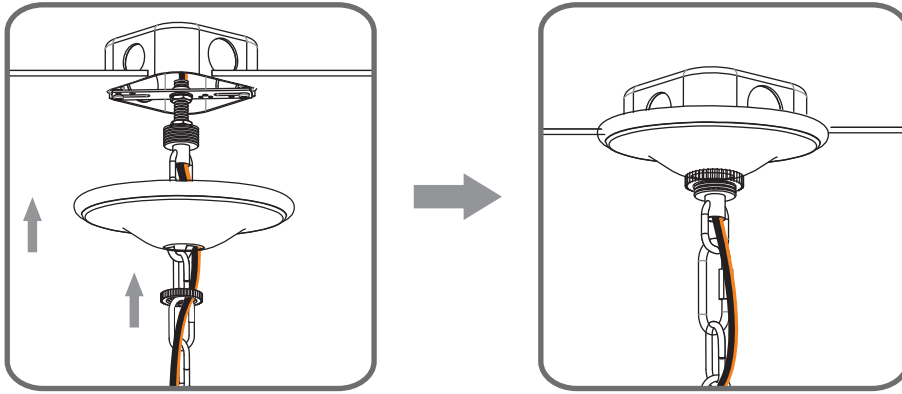
Step 1  
Feed the fixture wires through the loop



2



**STEP 5**



**STEP 6**

