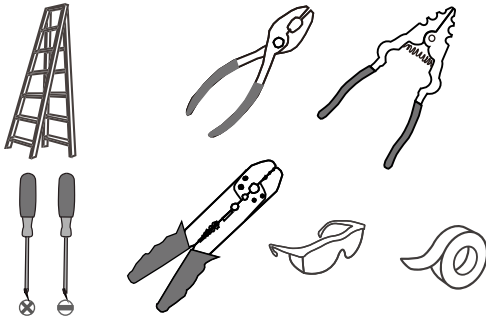
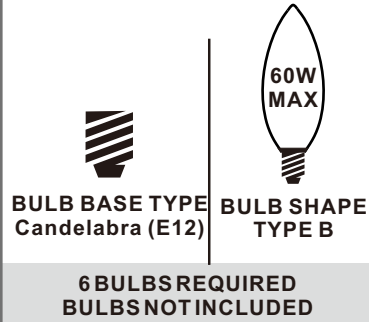


Tools Required



Light Source



Fixture Height Adjustable 30.5" to 78.5"

⚠ Warnings and Cautions

Turn off the electricity at the circuit breaker before installation. Consult a licensed electrician if in doubt about installation.

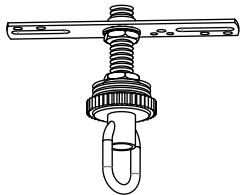
Turn off power to the fixture and allow the bulbs to cool before replacing.

Package Contents

Preparation: Identify and inspect all parts before beginning the installation.

Missing or damaged parts? Contact your original place of purchase.

PARTS BAG



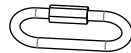
A Crossbar Assembly
x 1



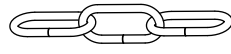
B Outlet Box Screw
x 2



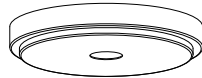
C Wire Connector
x 3



D Quick Link
x 2



E Fixture Chain
x 1



F Ceiling Canopy
x 1

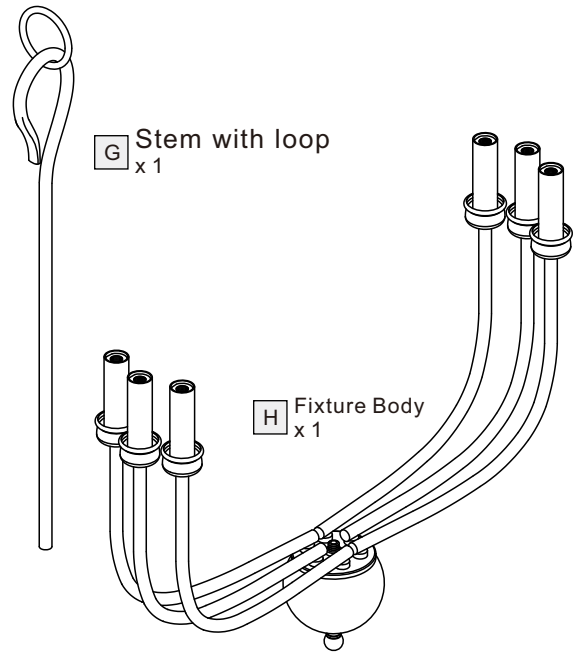


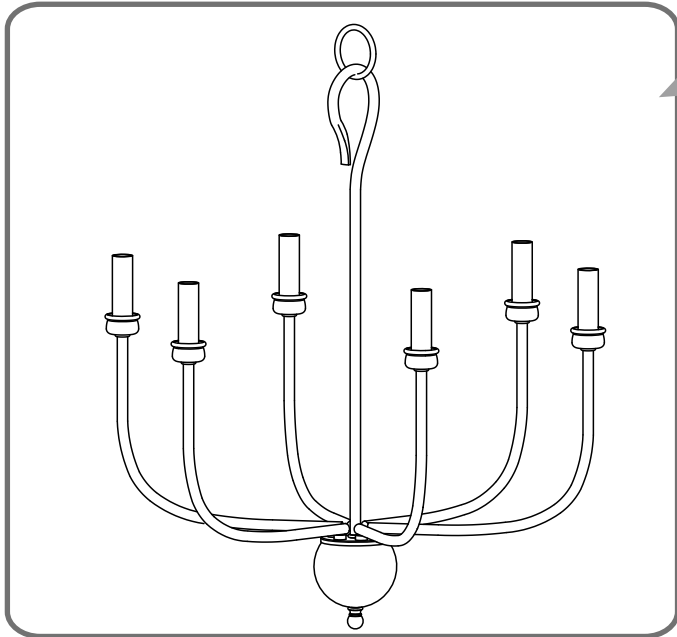
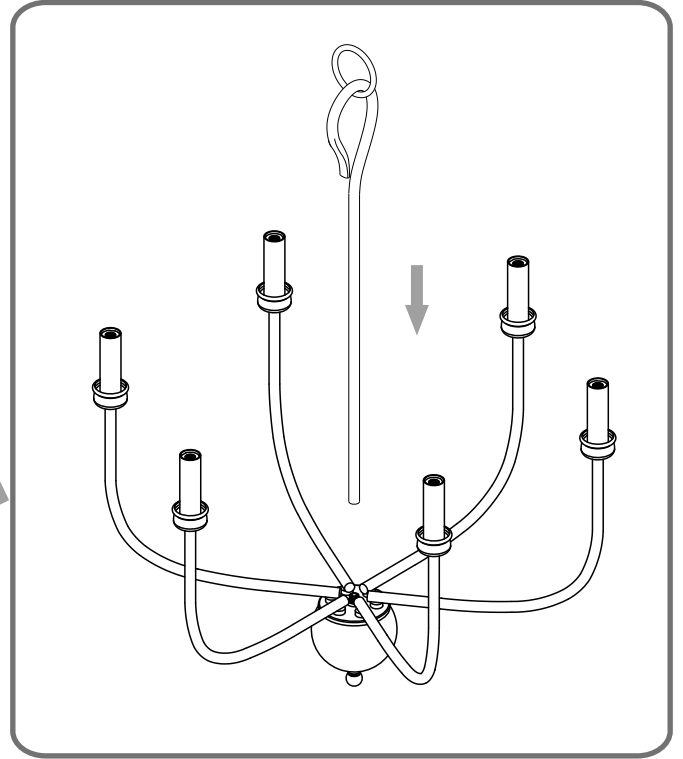
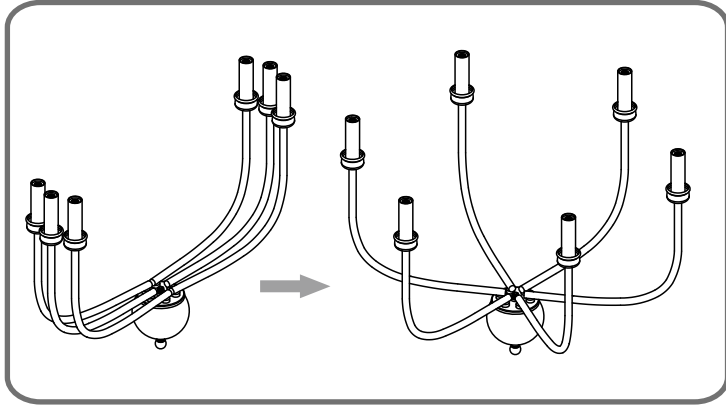
Table of Contents

Fixture Bdy	Crossbar Assembly	Fixture Chain	Wiring	Ceiling Canopy	Bulb
STEP 1	STEP 2	STEP 3	STEP 4	STEP 5	STEP 6

STEP 1

1

2



STEP 2

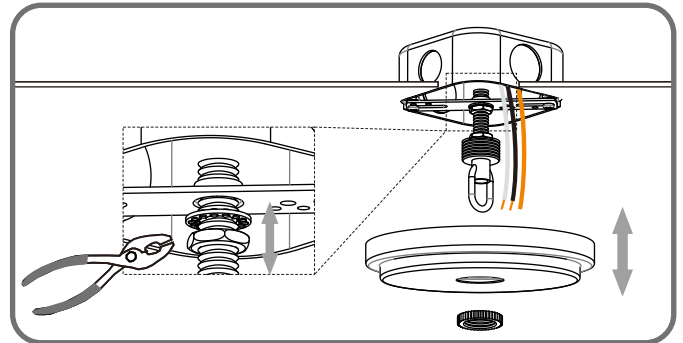
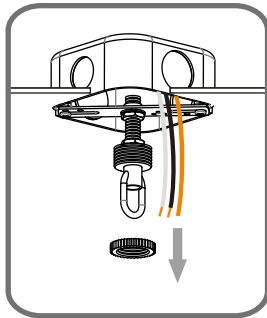
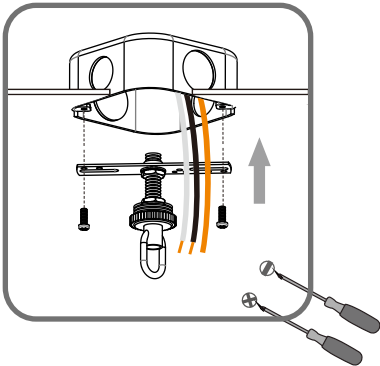
1

2

3

Step 1
Install crossbar assembly

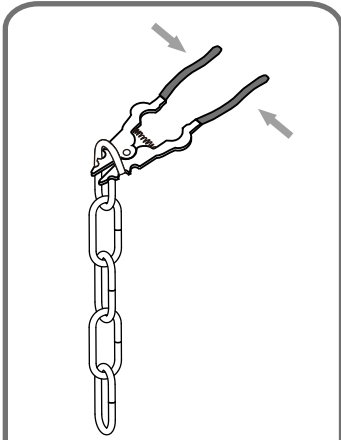
Step 2 - 3
Test fitting ceiling canopy to nipple



STEP 3

1

Step 1
Adjust fixture chain length

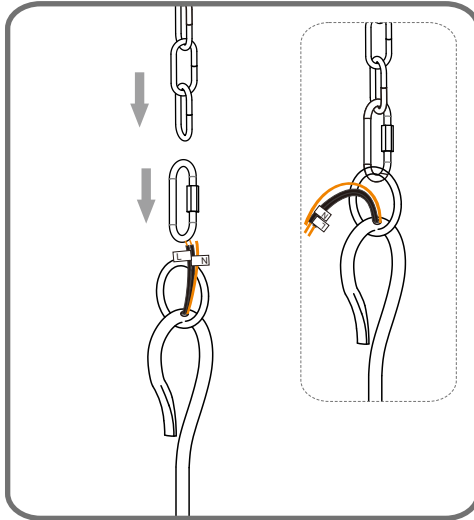


Suggested Chain Length:

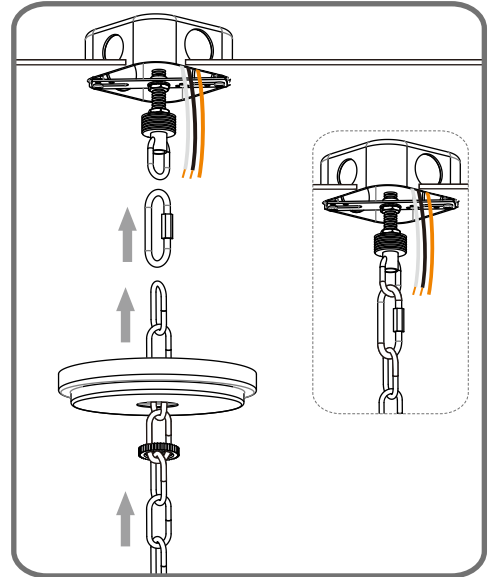
8' ceiling: 6" Chain
9' ceiling: 18" Chain
10' ceiling: 30" Chain

2

Step 2 - 3
Install Fixture Chain



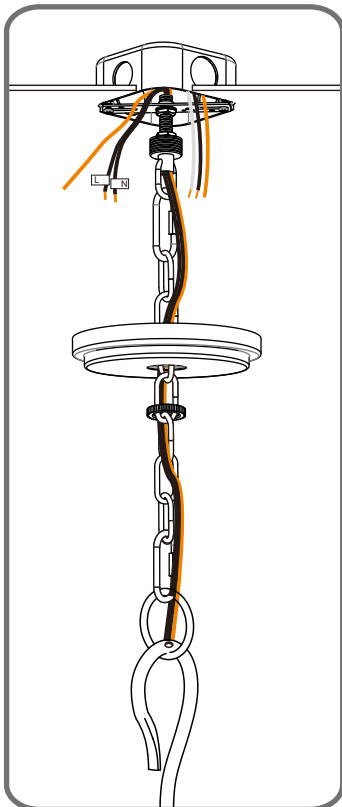
3



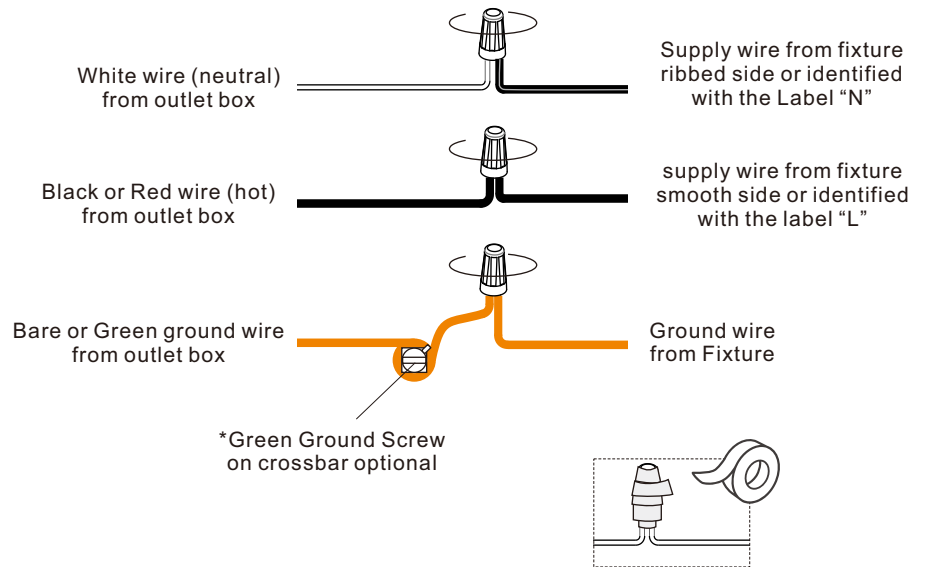
STEP 4

1

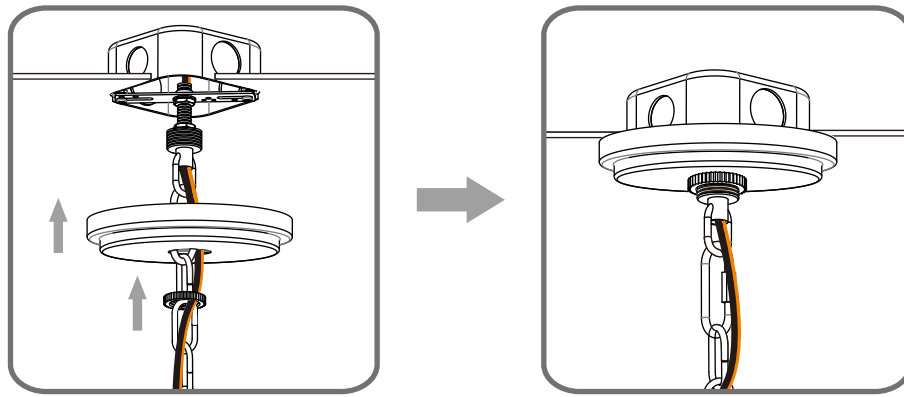
Step 1
Feed the fixture wires
through the loop



2



STEP 5



STEP 6

