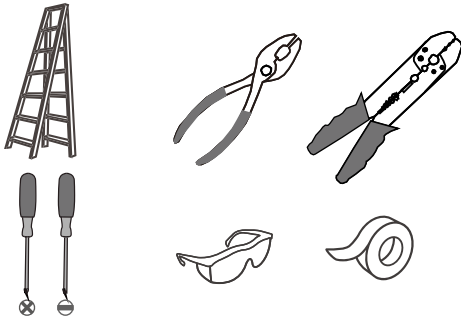
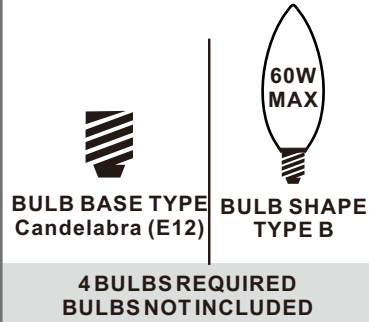


Tools Required



Light Source



⚠ Warnings and Cautions

Turn off the electricity at the circuit breaker before installation. Consult a licensed electrician if in doubt about installation.

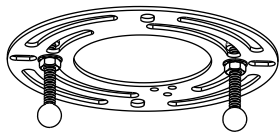
Turn off power to the fixture and allow the bulbs to cool before replacing.

Package Contents

Preparation: Identify and inspect all parts before beginning the installation.

Missing or damaged parts? Contact your original place of purchase.

PARTS BAG



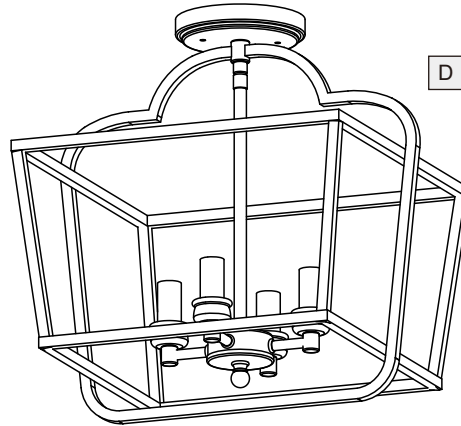
A Crossbar Assembly
x 1



B Outlet Box Screw
x 2



C Wire Connector
x 3



D Fixture Body
x 1

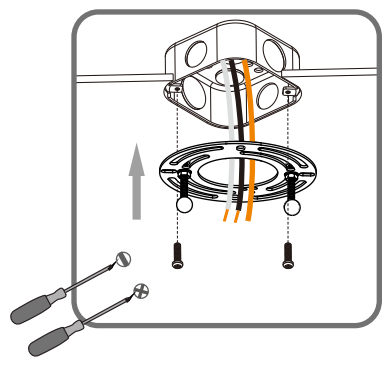
Table of Contents

Crossbar Assembly	Wiring	Ceiling Canopy	Bulb
STEP 1	STEP 2	STEP 3	STEP 4

STEP 1

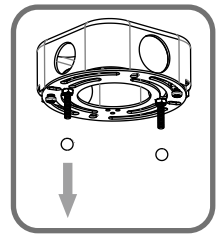
1

Step 1
Install crossbar assembly

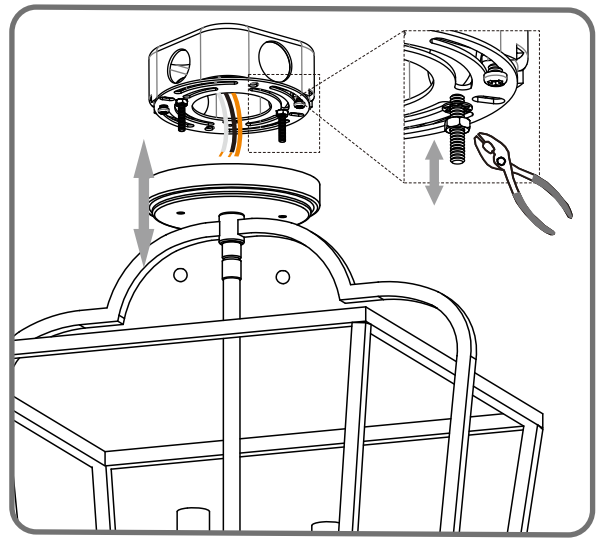


2

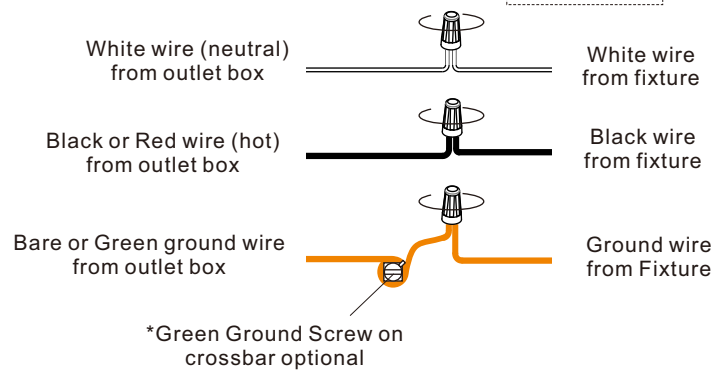
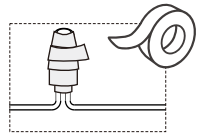
Step 2 - 3
Test fitting ceiling canopy to mounting screws



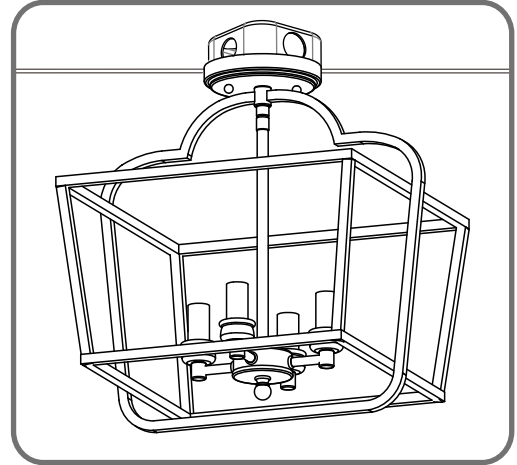
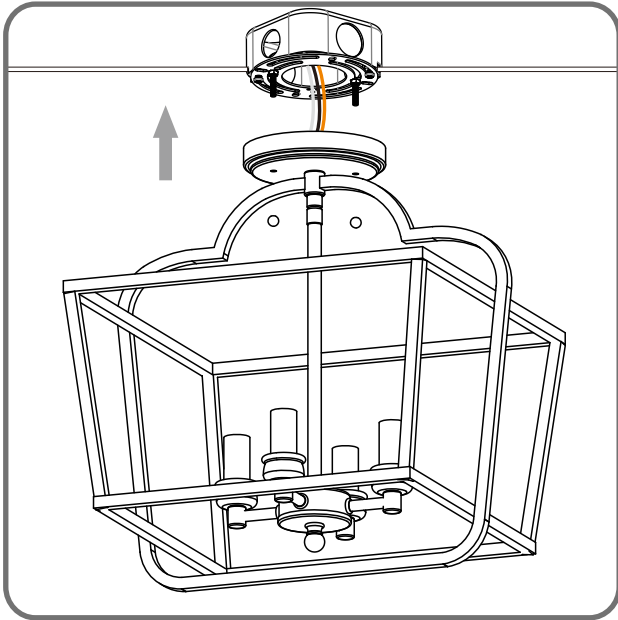
3



STEP 2



STEP 3



STEP 4

