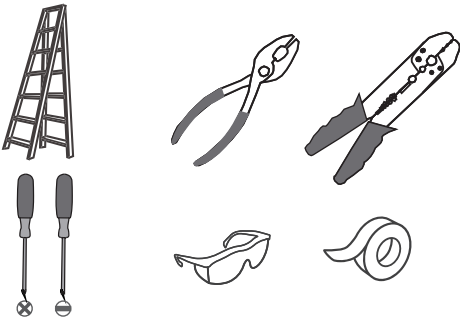
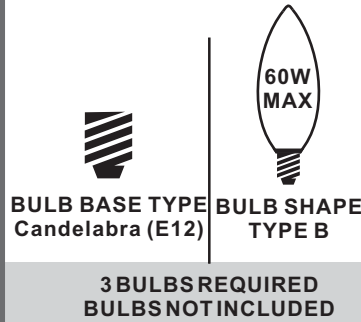


### Tools Required



### Light Source



### ⚠ Warnings and Cautions

Turn off the electricity at the circuit breaker before installation. Consult a licensed electrician if in doubt about installation.

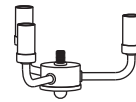
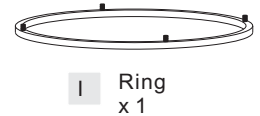
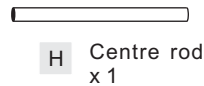
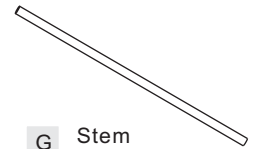
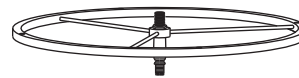
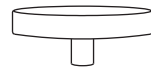
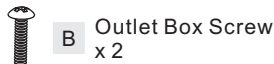
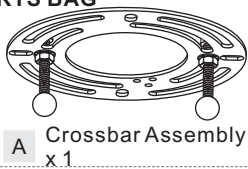
Turn off power to the fixture and allow the bulbs to cool before replacing.

### Package Contents

**Preparation:** Identify and inspect all parts before beginning the installation.

Missing or damaged parts? Contact your original place of purchase.

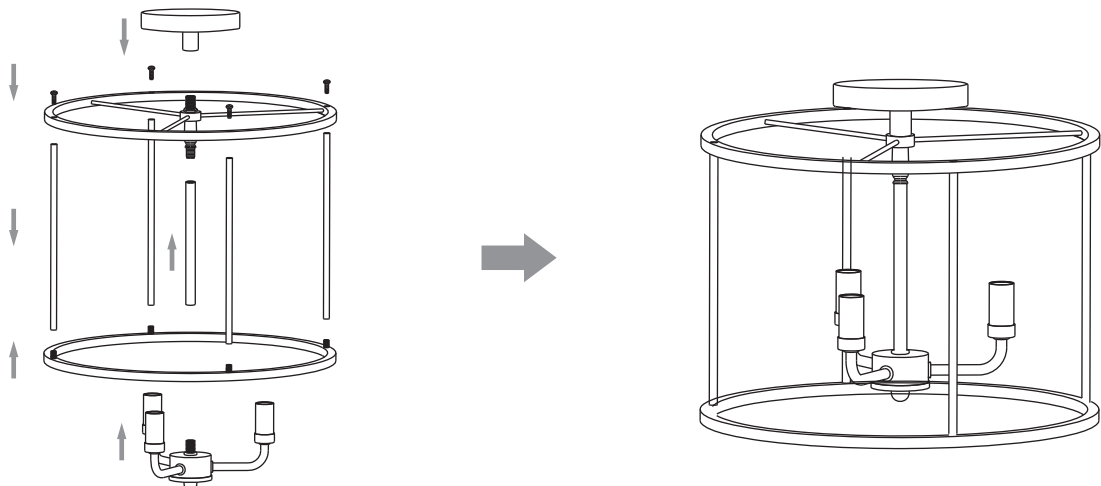
#### PARTS BAG



### Table of Contents

Socket Assembly	Crossbar Assembly	Wiring	Ceiling Canopy	Bulb
STEP 1	STEP 2	STEP 3	STEP 4	STEP 5

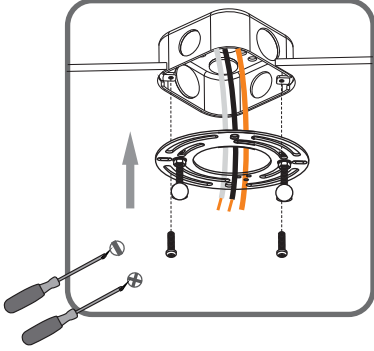
### STEP 1



## STEP 2

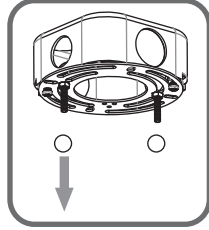
1

Step 1  
Install crossbar assembly

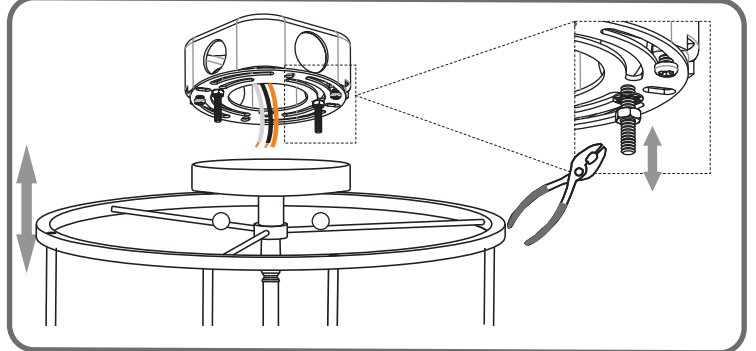


2

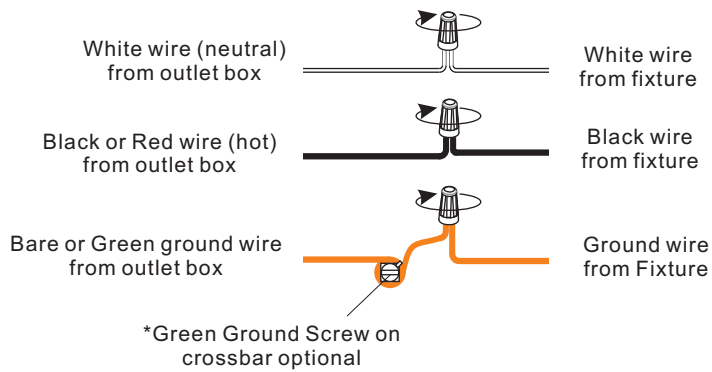
Step 2 - 3  
Test fitting ceiling canopy to  
mounting screws



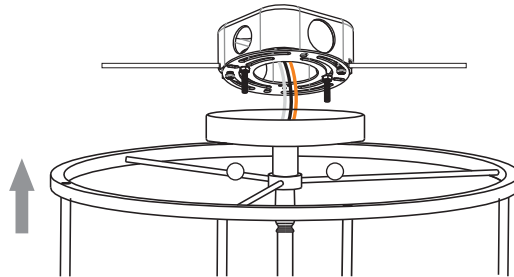
3



## STEP 3



## STEP 4



## STEP 5

