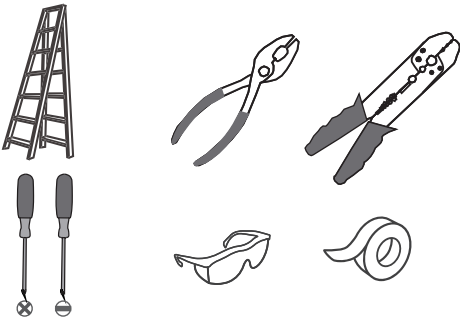
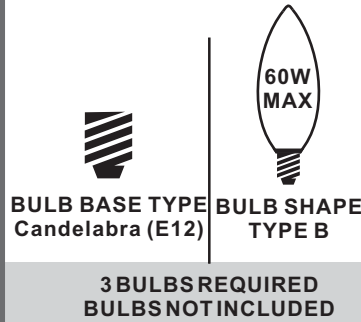


Tools Required



Light Source



⚠ Warnings and Cautions

Turn off the electricity at the circuit breaker before installation. Consult a licensed electrician if in doubt about installation.

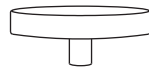
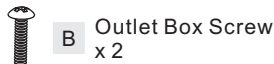
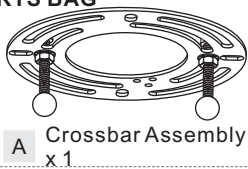
Turn off power to the fixture and allow the bulbs to cool before replacing.

Package Contents

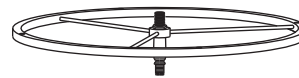
Preparation: Identify and inspect all parts before beginning the installation.

Missing or damaged parts? Contact your original place of purchase.

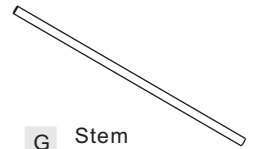
PARTS BAG



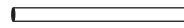
E Ceiling Canopy x 1



F Bridge x 1



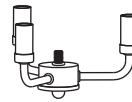
G Stem x 4



H Centre rod x 1



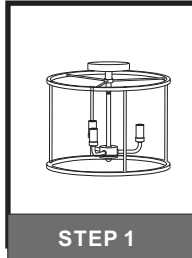
I Ring x 1



J Socket Assembly x 1

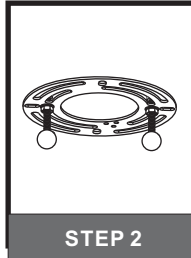
Table of Contents

Socket Assembly



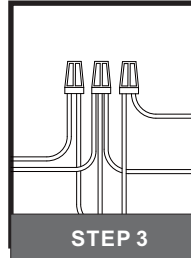
STEP 1

Crossbar Assembly



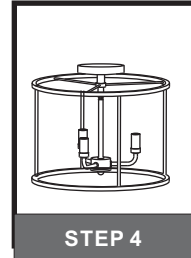
STEP 2

Wiring



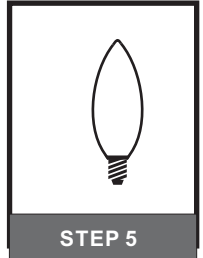
STEP 3

Ceiling Canopy



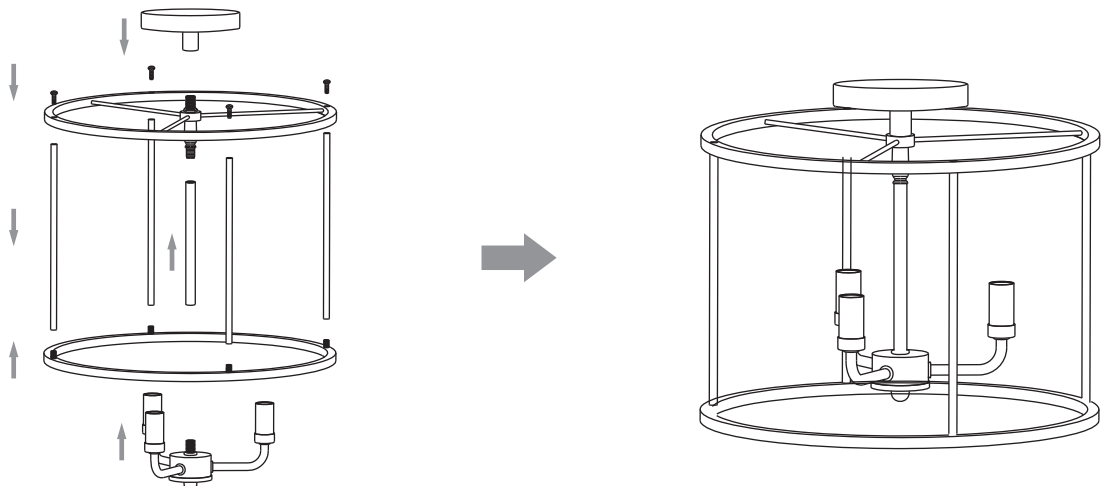
STEP 4

Bulb



STEP 5

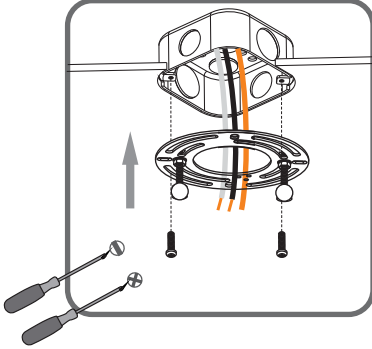
STEP 1



STEP 2

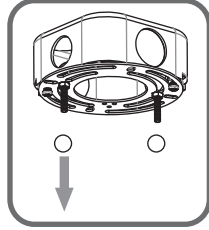
1

Step 1
Install crossbar assembly

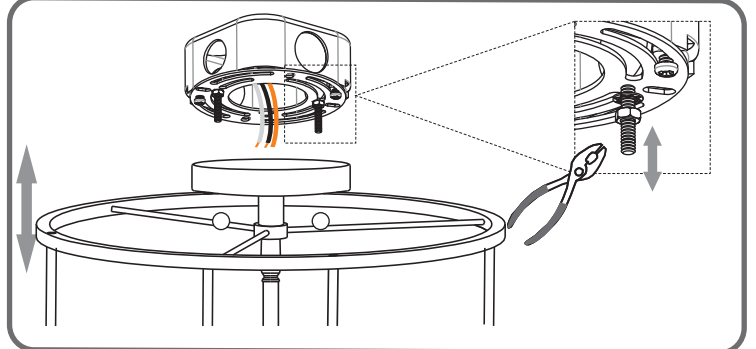


2

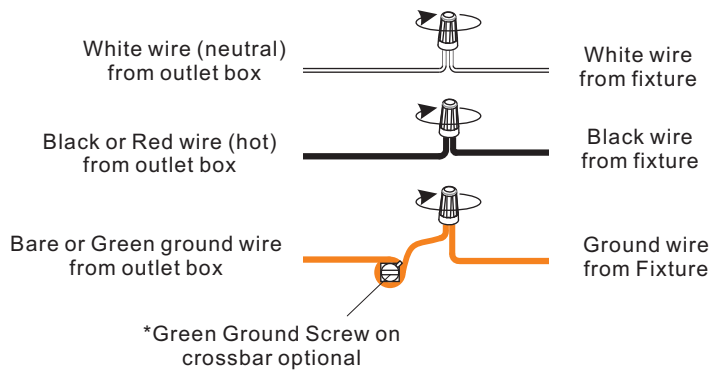
Step 2 - 3
Test fitting ceiling canopy to
mounting screws



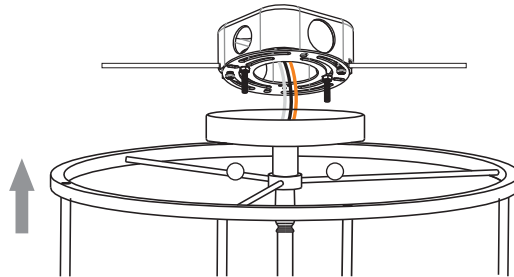
3



STEP 3



STEP 4



STEP 5

