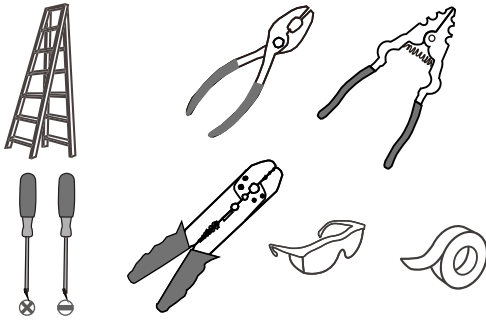
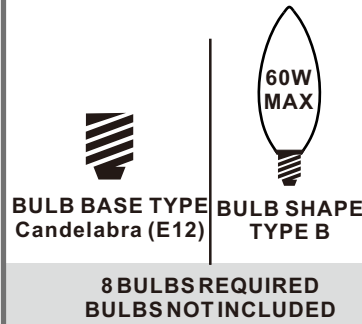


### Tools Required



### Light Source



### Fixture Height Adjustable 30.5" to 78.5"

#### ⚠ Warnings and Cautions

Turn off the electricity at the circuit breaker before installation. Consult a licensed electrician if in doubt about installation.

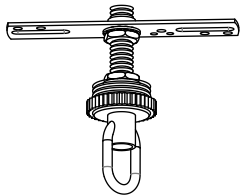
Turn off power to the fixture and allow the bulbs to cool before replacing.

### Package Contents

**Preparation:** Identify and inspect all parts before beginning the installation.

Missing or damaged parts? Contact your original place of purchase.

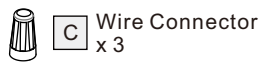
#### PARTS BAG



**A** Crossbar Assembly x 1



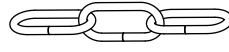
**B** Outlet Box Screw x 2



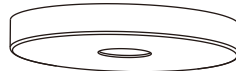
**C** Wire Connector x 3



**D** Quick Link x 2



**E** Fixture Chain x 1



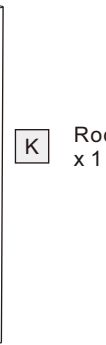
**F** Ceiling Canopy x 1



**G** Fixture Loop x 1



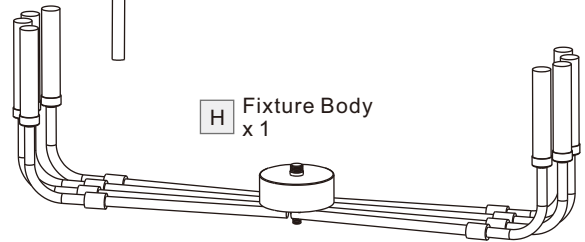
**I** Cap x 1



**K** Rod x 1



**J** Finial x 1

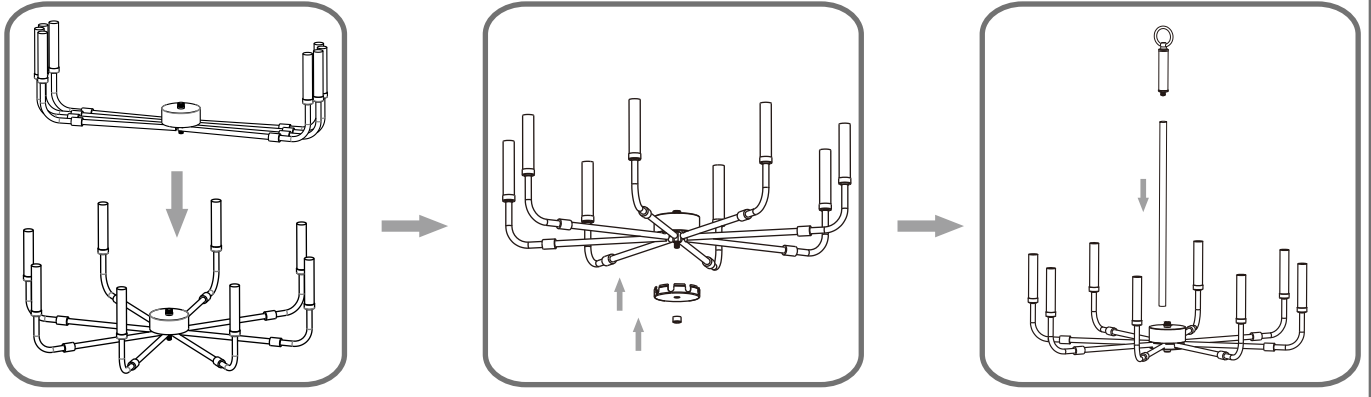


**H** Fixture Body x 1

### Table of Contents

Fixture Loop	Crossbar Assembly	Fixture Chain	Wiring	Ceiling Canopy	Bulb
STEP 1	STEP 2	STEP 3	STEP 4	STEP 5	STEP 6

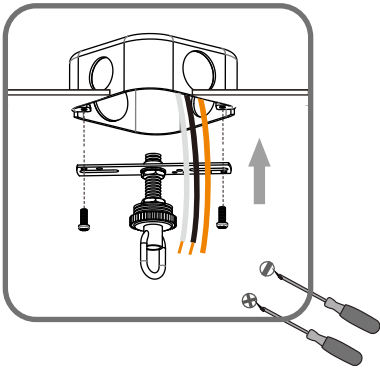
## STEP 1



## STEP 2

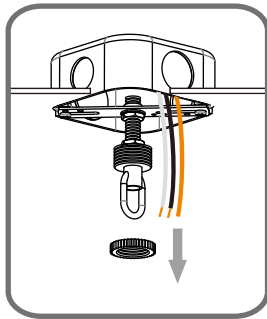
1

Step 1  
Install crossbar assembly

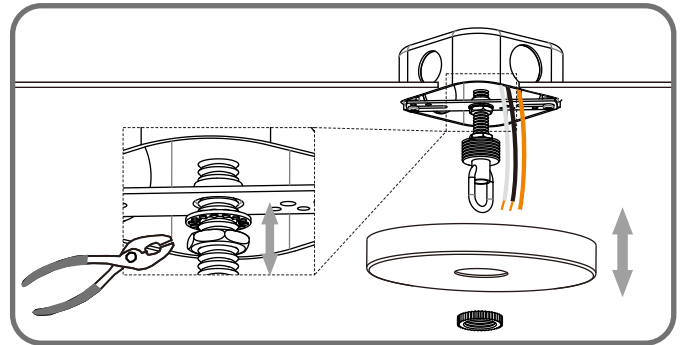


2

Step 2 - 3  
Test fitting ceiling canopy to nipple



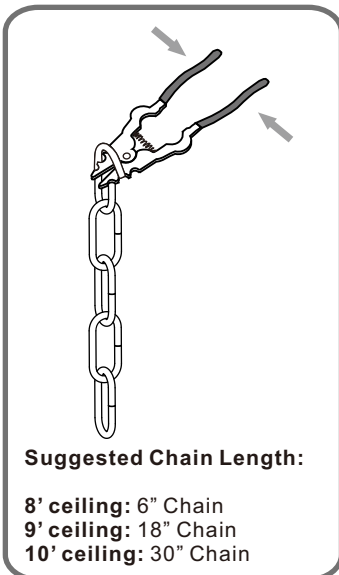
3



## STEP 3

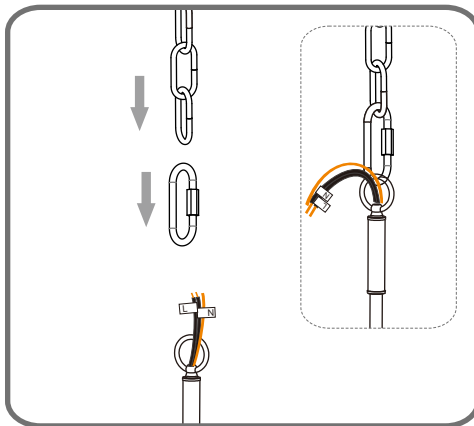
1

Step 1  
Adjust fixture chain length

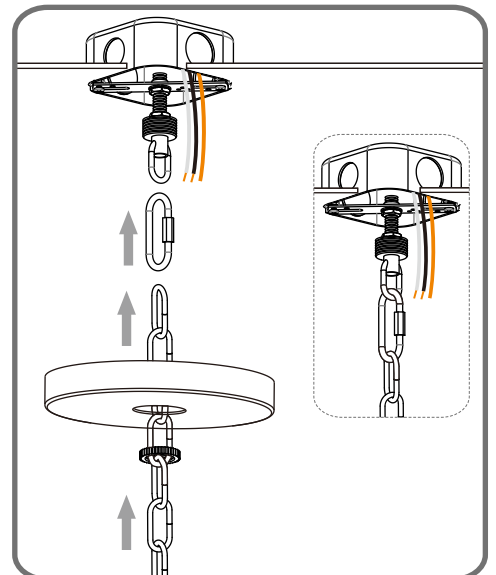


2

Step 2 - 3  
Install Fixture Chain



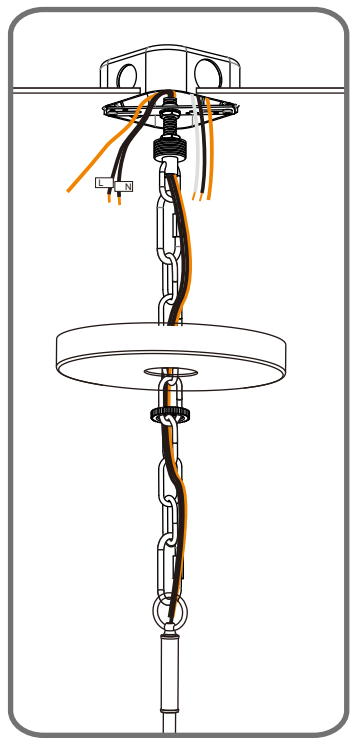
3



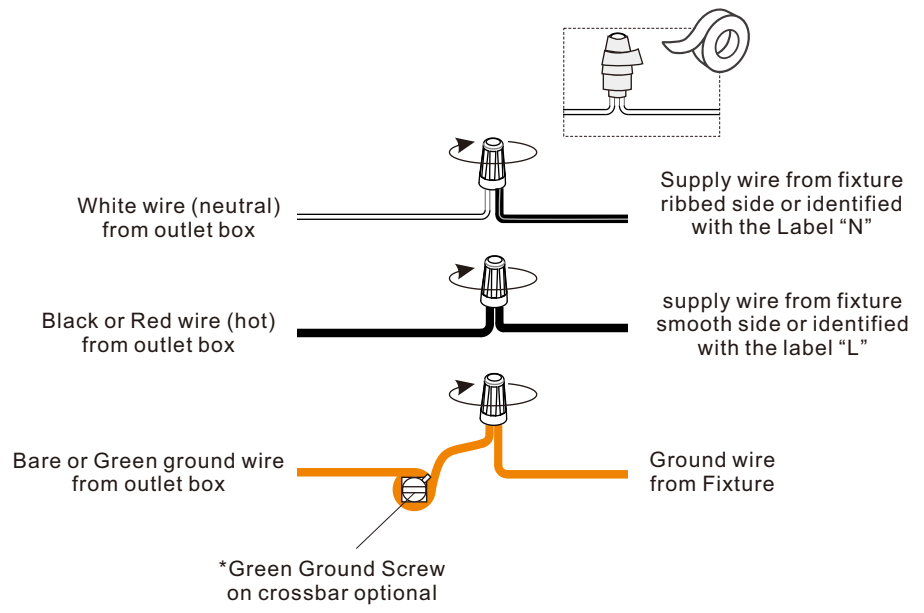
# STEP 4

1

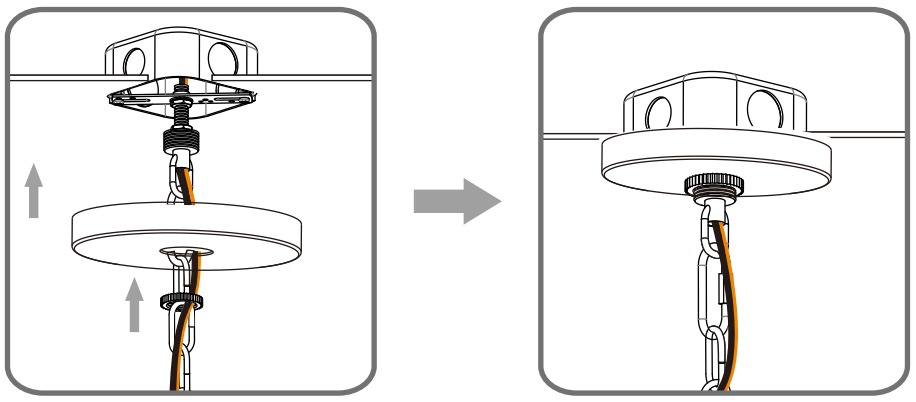
Step 1  
Feed the fixture wires  
through the loop



2



# STEP 5



# STEP 6

