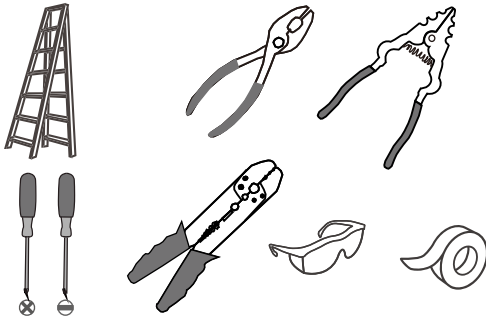
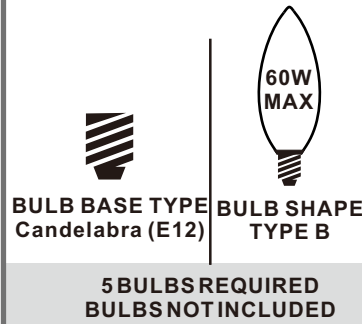


### Tools Required



### Light Source



### Fixture Height Adjustable 25.75" to 73.75"

#### ⚠ Warnings and Cautions

Turn off the electricity at the circuit breaker before installation. Consult a licensed electrician if in doubt about installation.

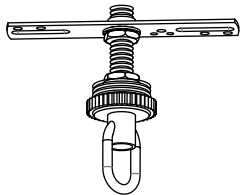
Turn off power to the fixture and allow the bulbs to cool before replacing.

### Package Contents

**Preparation:** Identify and inspect all parts before beginning the installation.

Missing or damaged parts? Contact your original place of purchase.

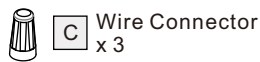
#### PARTS BAG



**A** Crossbar Assembly  
x 1



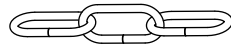
**B** Outlet Box Screw  
x 2



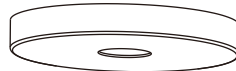
**C** Wire Connector  
x 3



**D** Quick Link  
x 2



**E** Fixture Chain  
x 1



**F** Ceiling Canopy  
x 1



**G** Fixture Loop  
x 1



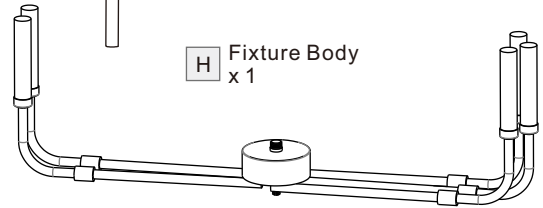
**I** Cap  
x 1



**K** Rod  
x 1



**J** Finial  
x 1

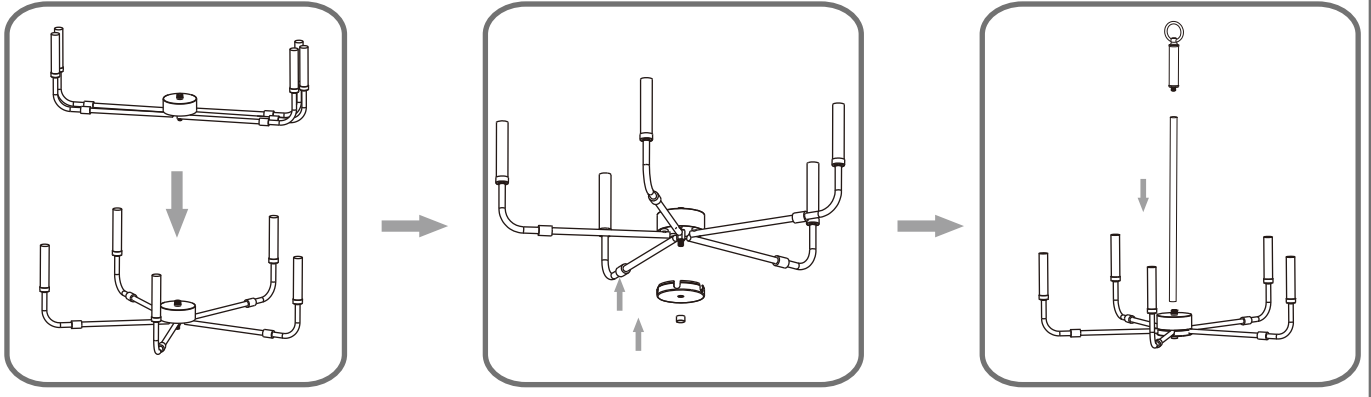


**H** Fixture Body  
x 1

### Table of Contents

Fixture Loop	Crossbar Assembly	Fixture Chain	Wiring	Ceiling Canopy	Bulb
STEP 1	STEP 2	STEP 3	STEP 4	STEP 5	STEP 6

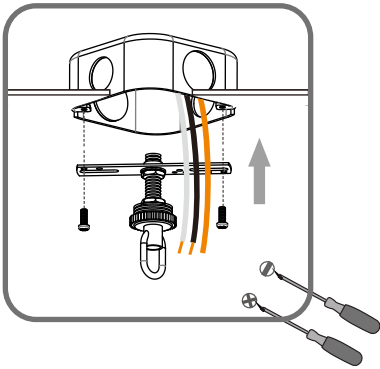
**STEP 1**



**STEP 2**

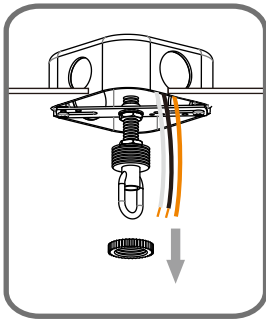
1

**Step 1**  
Install crossbar assembly

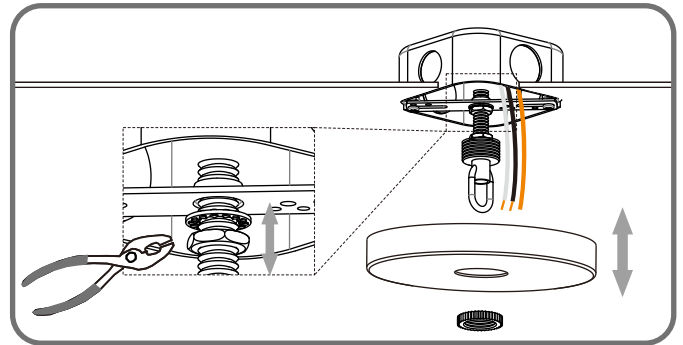


2

**Step 2 - 3**  
Test fitting ceiling canopy to nipple



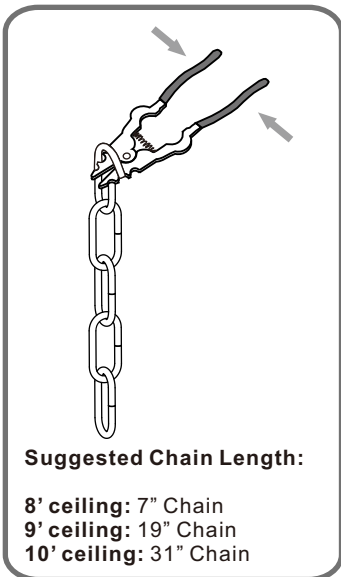
3



**STEP 3**

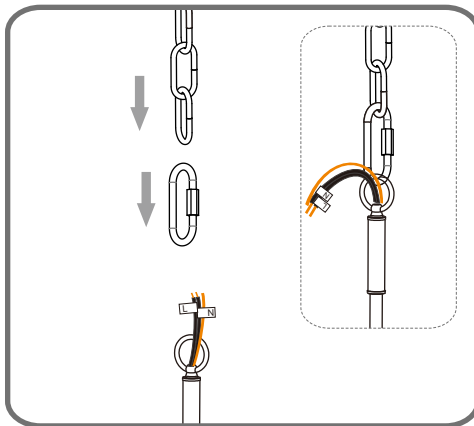
1

**Step 1**  
Adjust fixture chain length

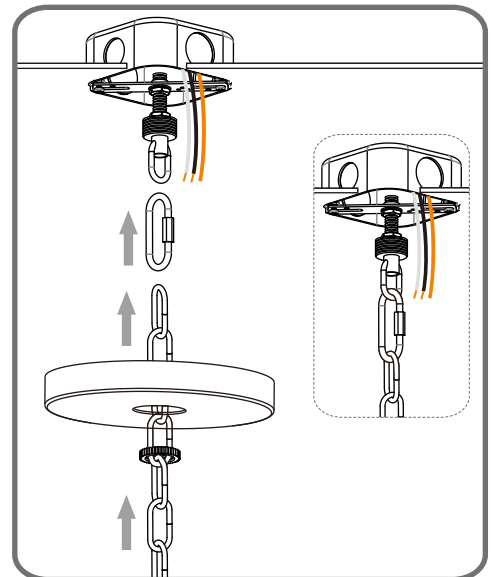


2

**Step 2 - 3**  
Install Fixture Chain



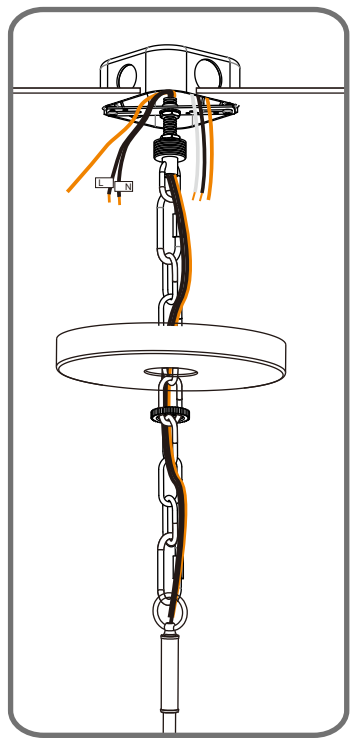
3



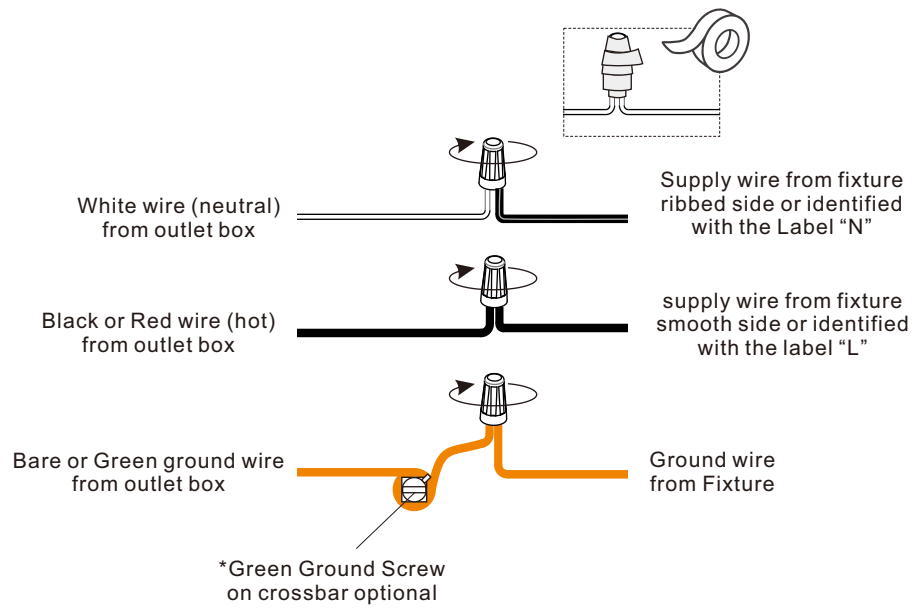
**STEP 4**

**1**

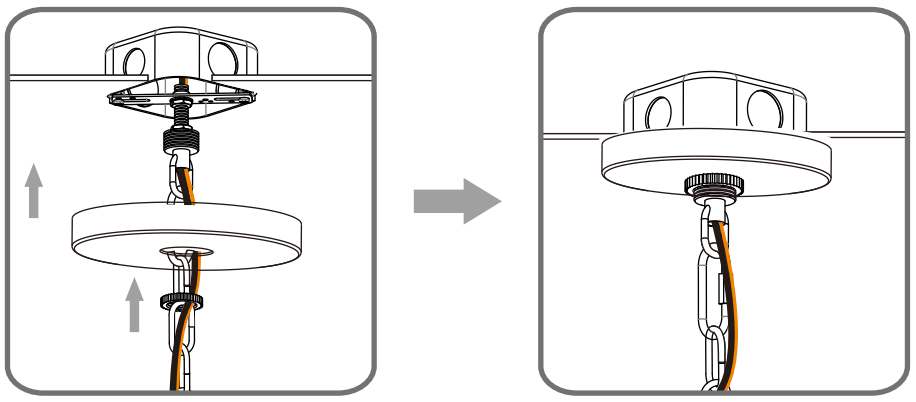
**Step 1**  
Feed the fixture wires  
through the loop



**2**



**STEP 5**



**STEP 6**

