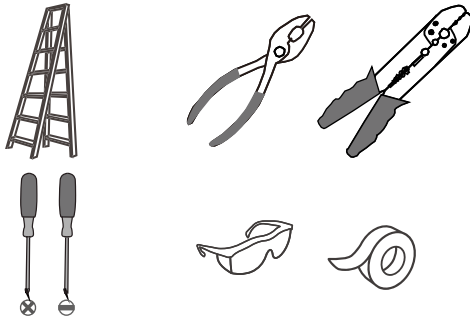
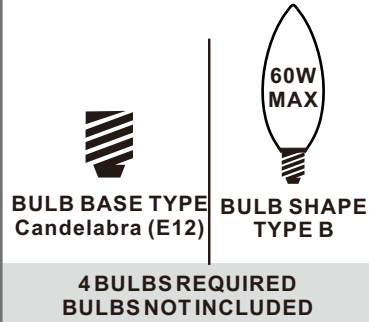


Tools Required



Light Source



Fixture Height Adjustable 23.25" to 69.75"

⚠ Warnings and Cautions

Turn off the electricity at the circuit breaker before installation. Consult a licensed electrician if in doubt about installation.

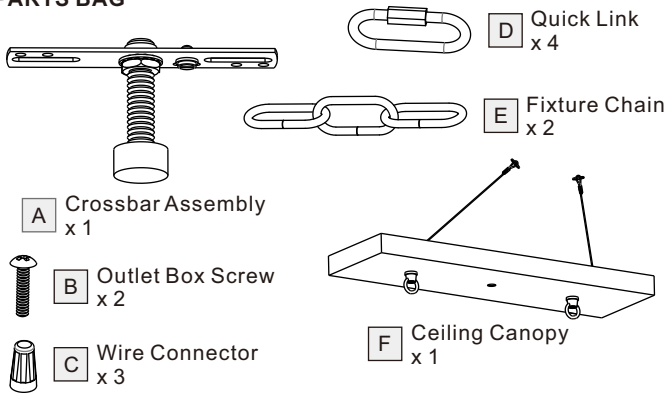
Turn off power to the fixture and allow the bulbs to cool before replacing.

Package Contents

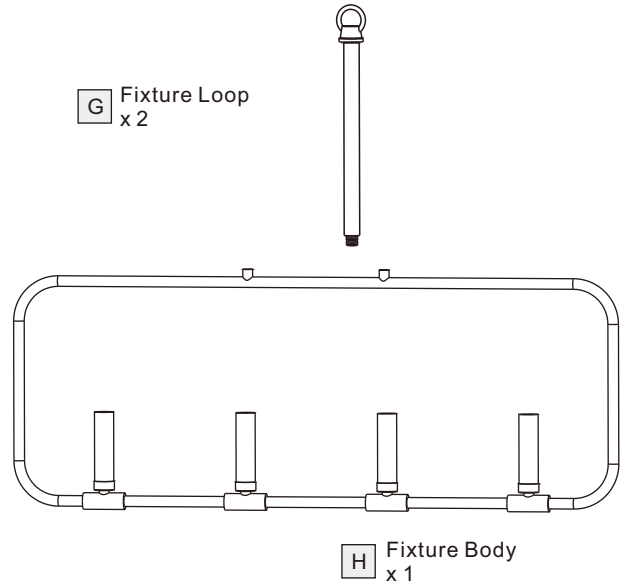
Preparation: Identify and inspect all parts before beginning the installation.

Missing or damaged parts? Contact your original place of purchase.

PARTS BAG



G Fixture Loop x 2

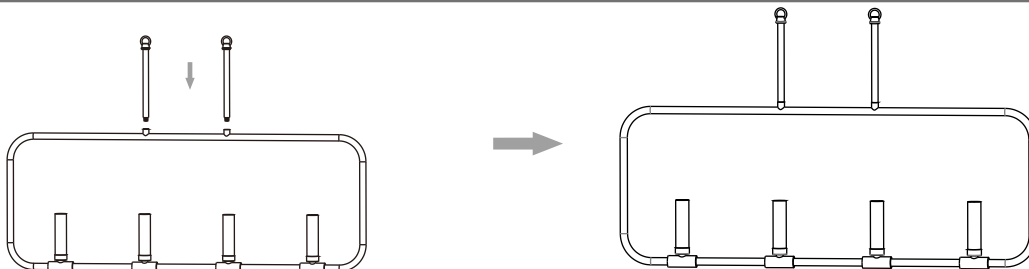


H Fixture Body x 1

Table of Contents

Fixture Loop	Crossbar Assembly	Fixture Chain	Lanyard	Wiring	Ceiling Canopy	Bulb
STEP 1	STEP 2	STEP 3	STEP 4	STEP 5	STEP 6	STEP 7

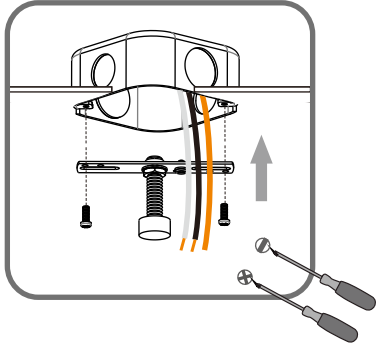
STEP 1



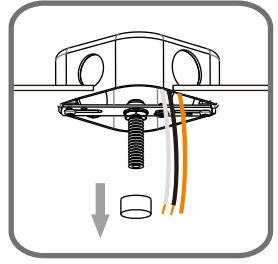
STEP 2

1

Step 1
Install crossbar assembly

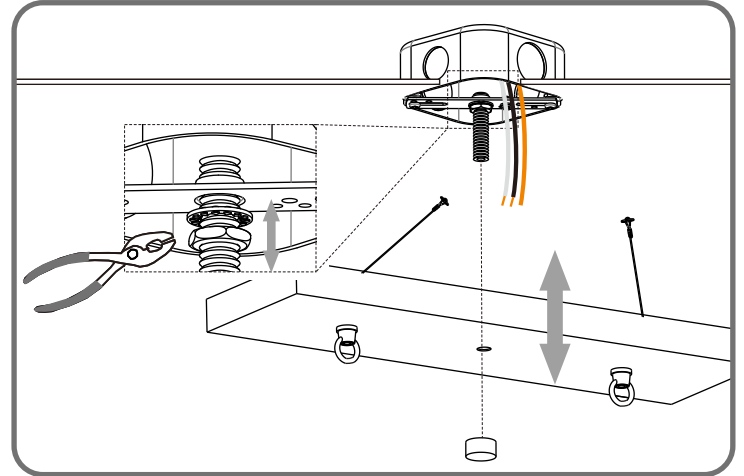


2



3

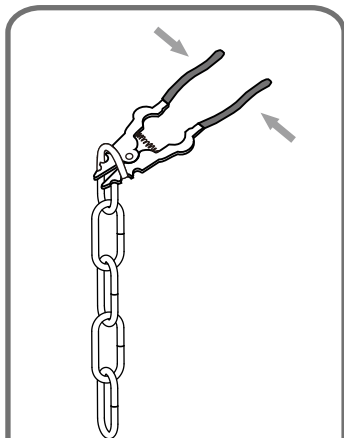
Step 2 - 3
Test fitting ceiling canopy to nipple



STEP 3

1

Adjust fixture chain length

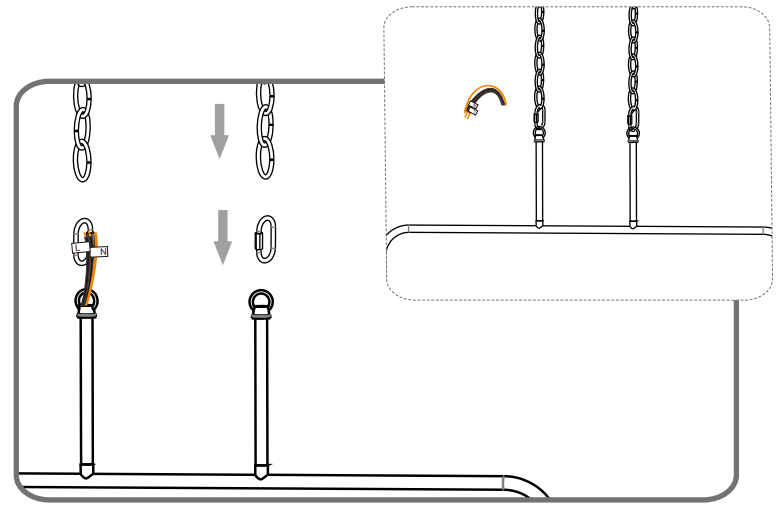


Suggested Chain Length:

- 8' ceiling: 12" Chain
- 9' ceiling: 24" Chain
- 10' ceiling: 36" Chain

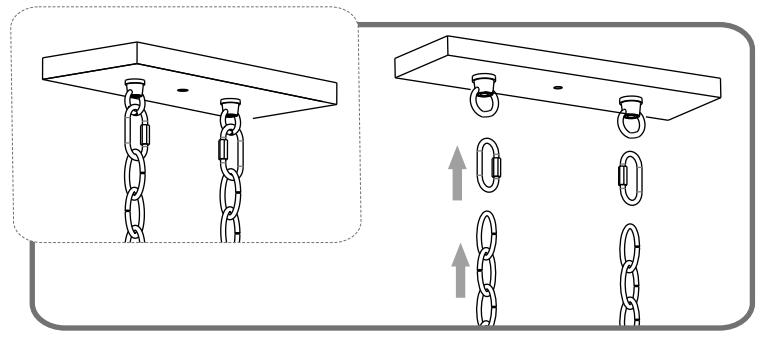
2

Install Fixture Chain to Fixture Body



3

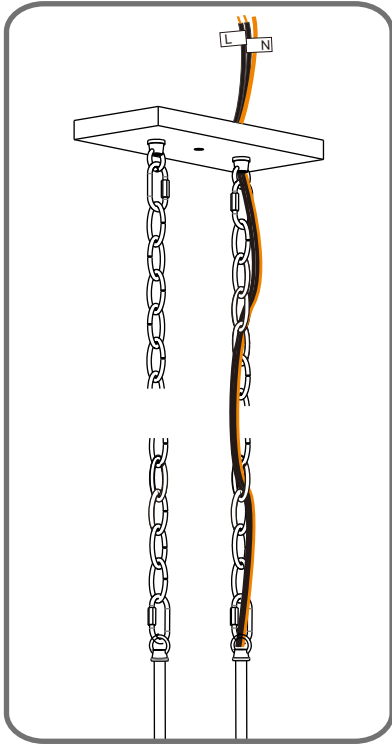
Install Fixture Chain to Ceiling Canopy



STEP 4

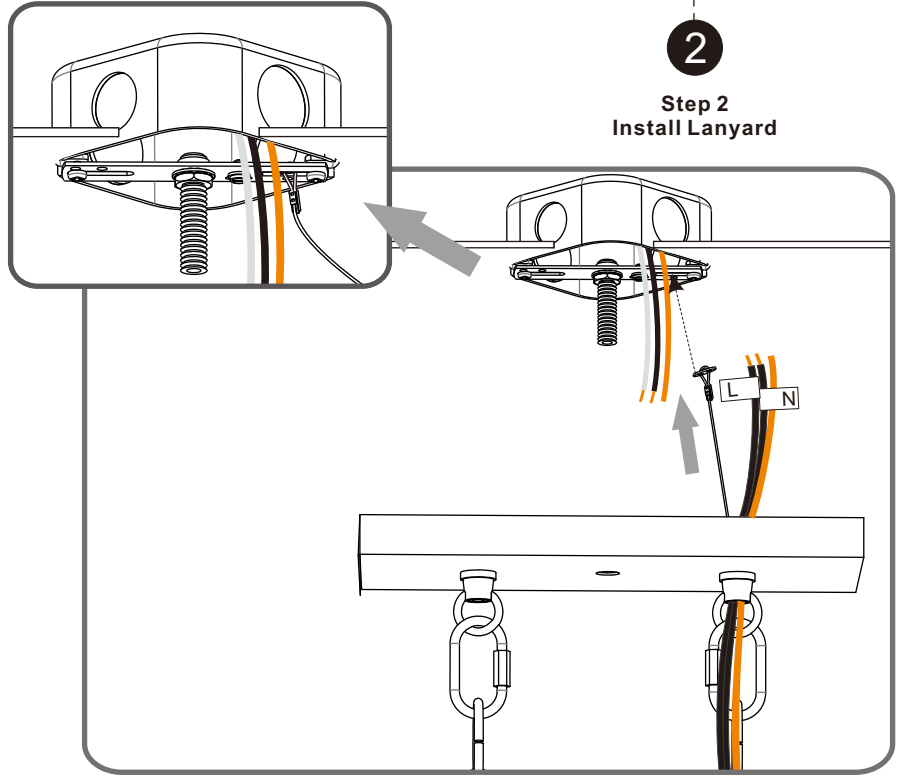
1

Step 1
Feed the fixture wires through chains and the ceiling canopy

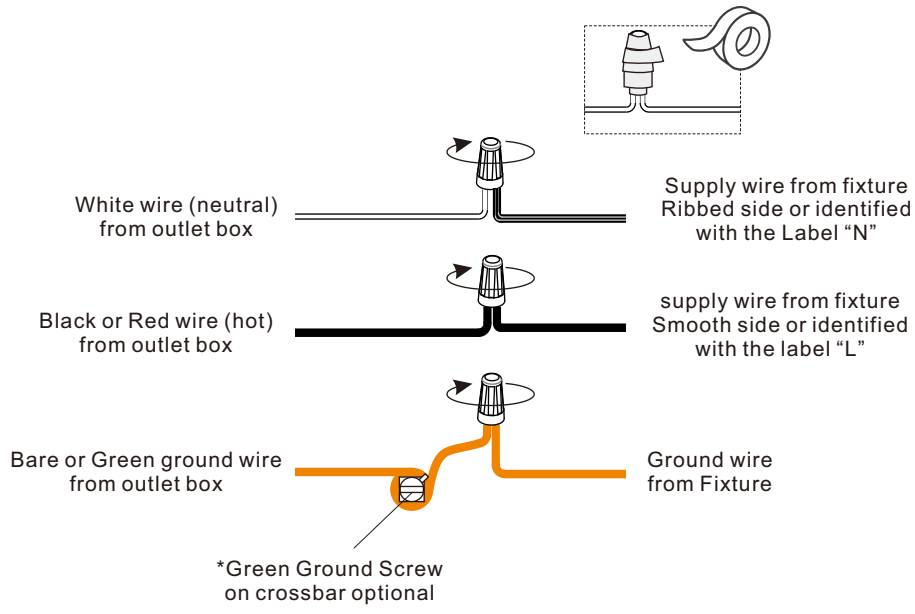


2

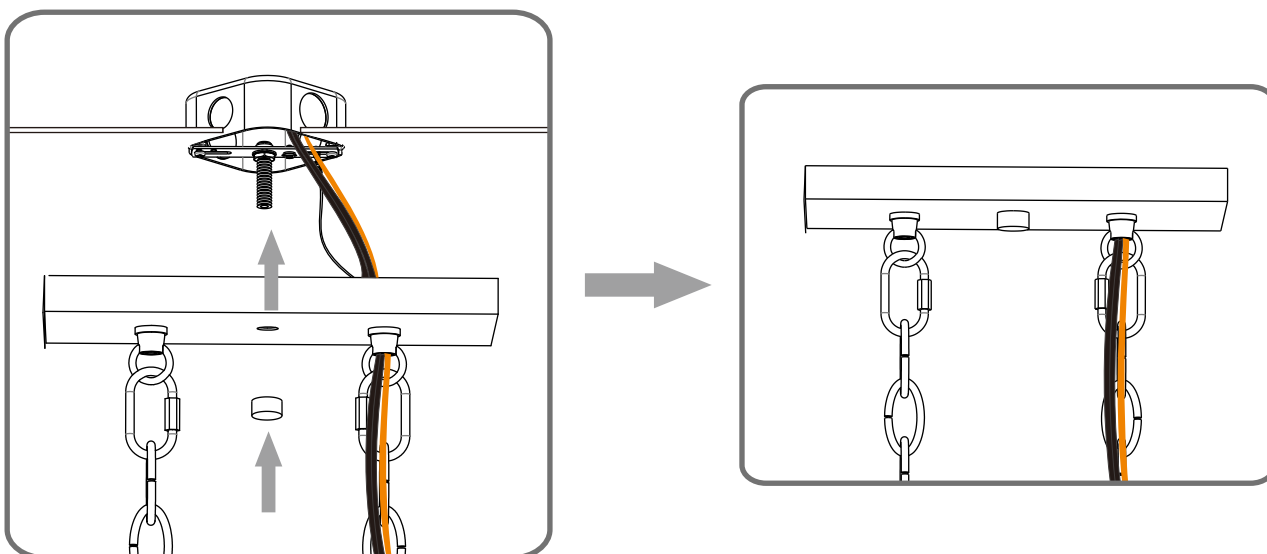
Step 2
Install Lanyard



STEP 5



STEP 6



STEP 7

