

Please go to www.quirrel.com for product cleaning tips. Go to the **Care + Maintenance** selection.

Tools Required: Flathead screwdriver, Phillips screwdriver, pliers, wire cutters, wire strippers, electrical tape, safety glasses.

Light Source: (4) A19 Medium Base Bulbs 100W Maximum, Medium Base Vintage Bulbs are recommended, bulbs not included.

Estimated Assembly Time: 30-45 minutes

Preparation: Identify and inspect all parts before beginning installation. Check package content list and diagrams below to be sure all parts are present. If any parts are missing or damaged, do not attempt to assemble, install, or operate the fixture. Contact your original place of purchase.

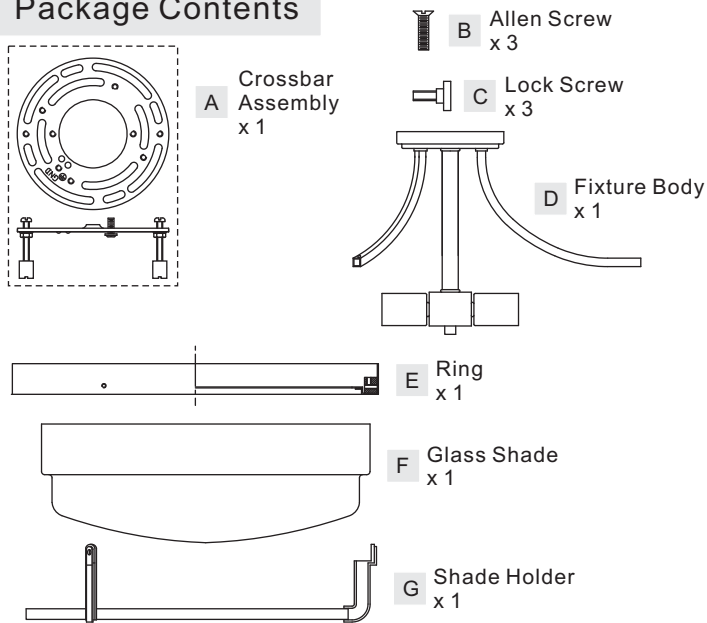
⚠ Warnings and Cautions

Turn off electricity at circuit breaker or main fuse box before installation. Consult a licensed electrician if in doubt.

These instructions are provided for your safety. It is very important you read them completely before installing the fixture. We strongly recommend that a licensed, professional electrician perform the installation.

Disconnect fixture from power source before replacing bulbs. Make sure bulbs are given sufficient time to cool before removal.

Package Contents



STEP 2 - Install Ring with Glass Shade to Fixture Body

- Unfold side arms on the Fixture Body (D) to proper locations.
- Align the holes on the ends of side arms to mounting holes on the Ring (E). Pass Allen Screws (B) through holes on side arms and thread them into mounting holes on the Ring (E). Hand tighten until snug with screwdrivers to secure them together.

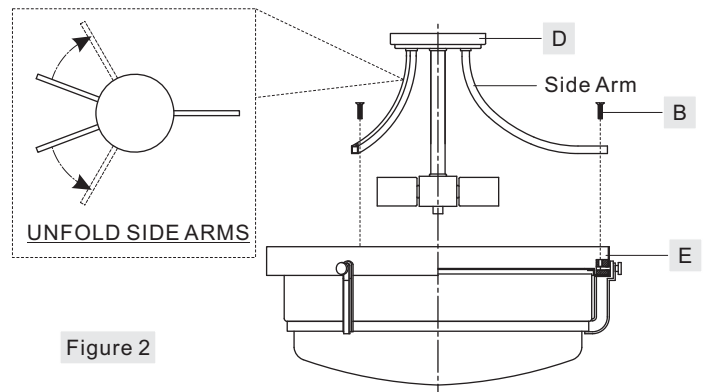


Figure 2

STEP 1 - Install Ring, Glass Shade and Shade Holder together

- Place the Glass Shade (F) onto the Shade Holder (G). Attach the Ring onto the top edge of the Glass Shade (F) and align mounting holes on the Ring (E) to holes on the Shade Holder (G). Secure the Ring (E) to the Shade Holder (G) with Lock Screws (C). Hand tighten until snug.

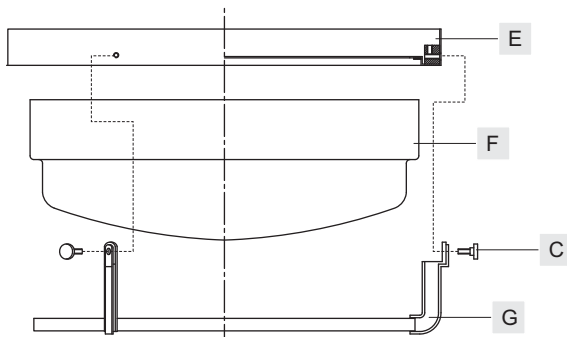
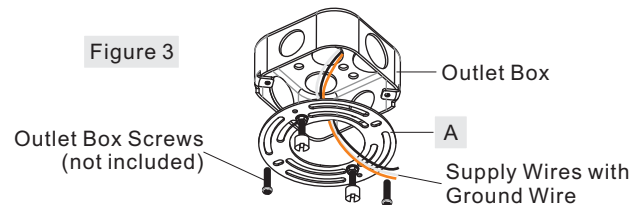


Figure 1

STEP 3 - Installing the Crossbar Assembly

- Pass the supply wires from outlet box through the Crossbar Assembly (A). Attach the Crossbar Assembly (A) to the Outlet Box with the head of the Green Ground Screw facing you. Secure the Crossbar Assembly (A) with Outlet Box Screws (not included). Tighten until snug.

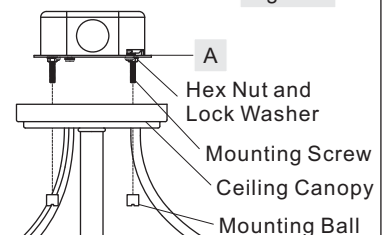
Figure 3



STEP 4 - Test Fitting Ceiling Canopy to Crossbar Assembly

- Remove mounting balls from the Crossbar Assembly (A). Fit the ceiling canopy and Fixture Body (D) to the Crossbar Assembly (A) and secure with mounting balls. Note: The ceiling canopy should be snug against the ceiling and the mounting balls. If not, adjust

Figure 4

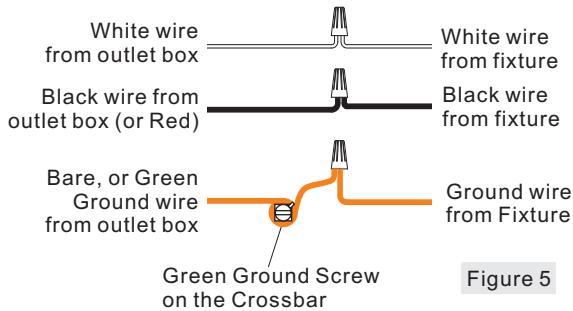


(Step 4 Continued)

the length of the nipple on the Crossbar Assembly (A) by unscrewing the preassembled hex nut and lock washer and then screwing the mounting screws in or out of the crossbar until the correct length is achieved. Once the ceiling canopy is secure, remove the mounting ball and Fixture Body (D).

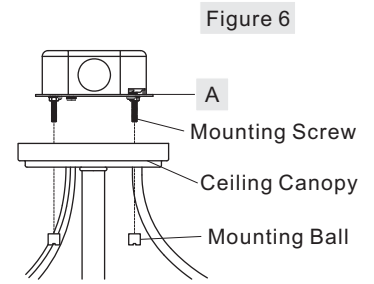
STEP 5 - Wire Connections

- A. Wrap bare or green ground wire around green ground screw on the crossbar, no less than 2 inches from the end of the wire. Tighten the green ground screw.
- B. Use standard wire connectors (not included) to make all wire connections. Twist connectors until wires are tightly joined together. Wrap each connection with approved electrical tape and carefully stuff all the connected wires into the Outlet Box.



STEP 6 - Install the Fixture

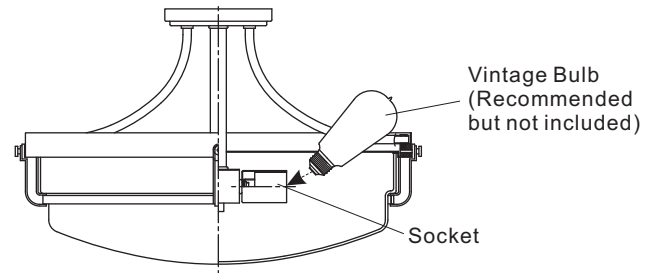
A. Carefully tuck all wires into the outlet box and position the ceiling canopy over the outlet box. Align the holes in the ceiling canopy with the mounting screws, then attach the ceiling canopy using the previously removed mounting balls. Hand tighten until snug.



STEP 7 - Install Bulbs

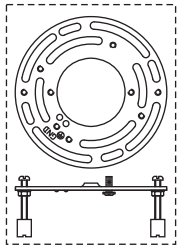
A. Insert bulbs onto sockets and screw snugly into place.

Your fixture is now assembled and ready to use. Enjoy!



UQL3782

FINISH: PARISIAN BRONZE



NOTE: ALL DIMENSIONS ARE ROUNDED UP TO THE NEAREST 1/4"

