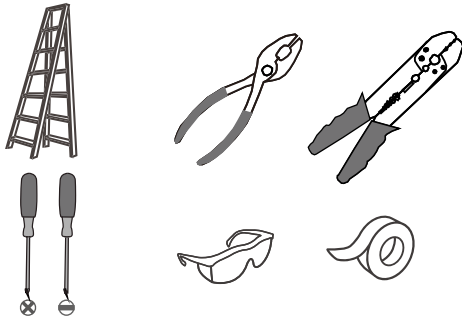
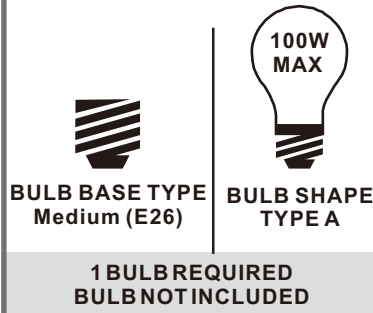


Tools Required



Light Source



Fixture Height Adjustable 12" to 50"

⚠ Warnings and Cautions

Turn off the electricity at the circuit breaker before installation. Consult a licensed electrician if in doubt about installation.

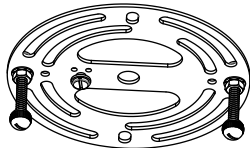
Turn off power to the fixture and allow the bulbs to cool before replacing.

Package Contents

Preparation: Identify and inspect all parts before beginning the installation.

Missing or damaged parts? Contact your original place of purchase.

PARTS BAG



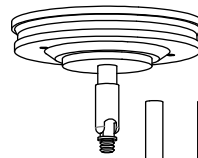
A Crossbar Assembly
x 1



B Outlet Box Screw
x 2



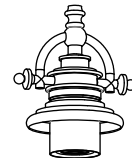
C Wire Connector
x 3



D Ceiling Canopy Assembly
x 1

E 6" L Rod
x 2

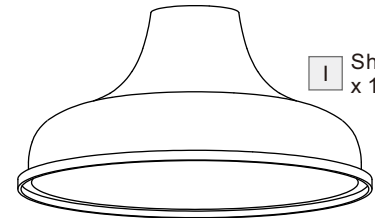
F 12" L Rod
x 2



G Fixture Body
x 1



H Ring
x 1



I Shade
x 1

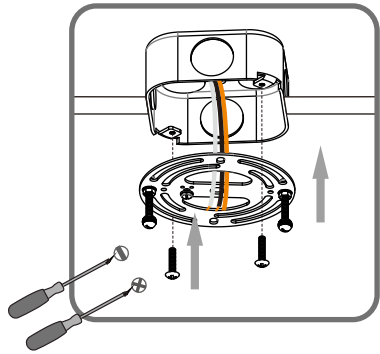
Table of Contents

Crossbar Assembly	Ceiling Canopy Assembly & Downrod	Wiring	Ceiling Canopy	Ring & shade	Bulb
STEP 1	STEP 2	STEP 3	STEP 4	STEP 5	STEP 6

STEP 1

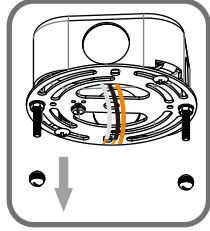
1

Step 1
Install crossbar assembly

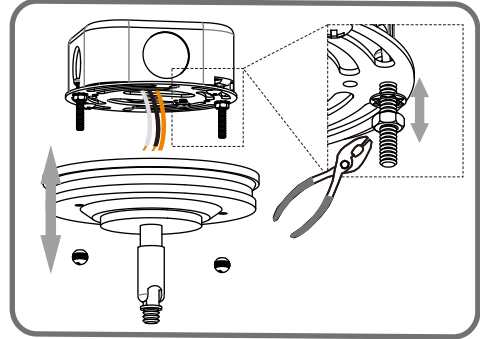


2

Step 2 - 3
Test fitting ceiling canopy to mounting screws



3



STEP 2

OPTION 1

Pendant — UQL3665

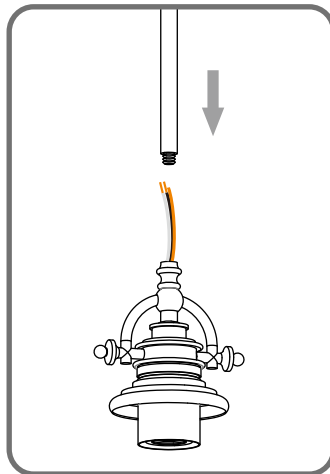
Optional Rods

- 8' ceiling:
(2) 12" L rods
- 9' ceiling:
(2) 6" L + (2) 12" L rods



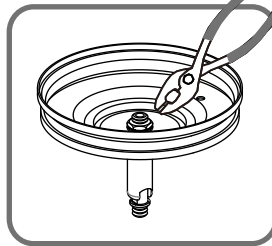
1

Install rods



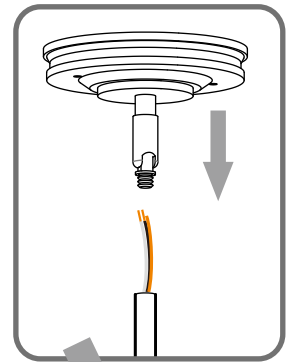
2

Tighten hex nut inside of the ceiling canopy



3

Install Ceiling Canopy

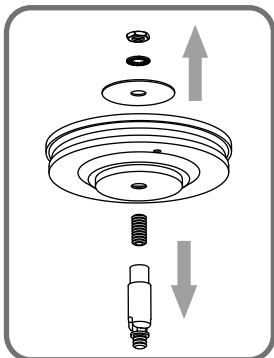


OPTION 2

Semi-flush — UQL3669

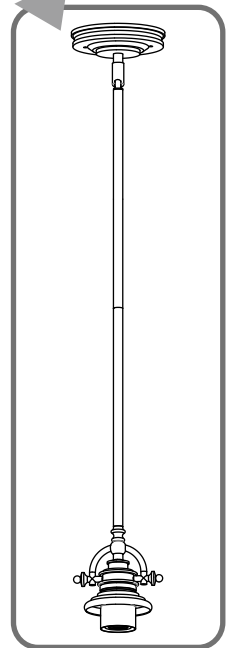
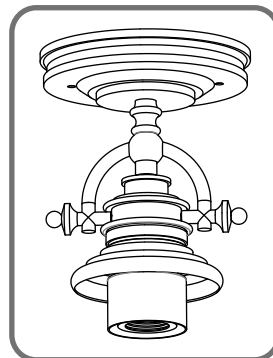
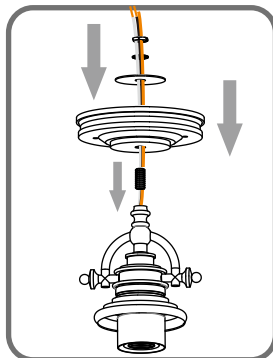
1

Remove swivel

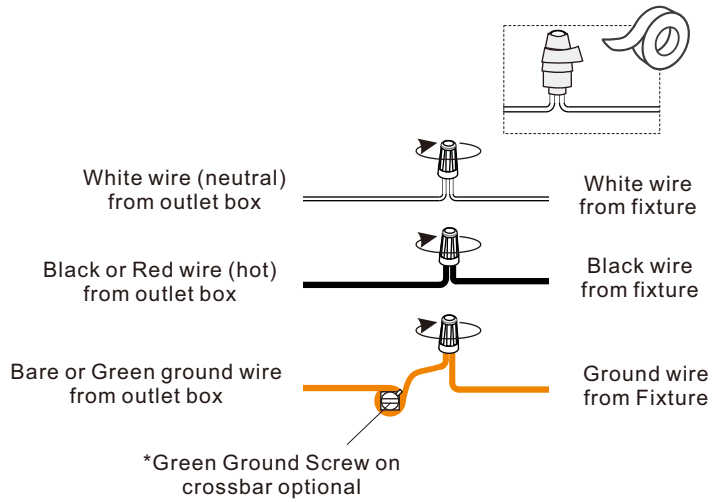


2

Install ceiling canopy



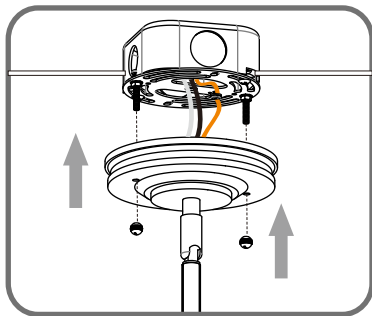
STEP 3



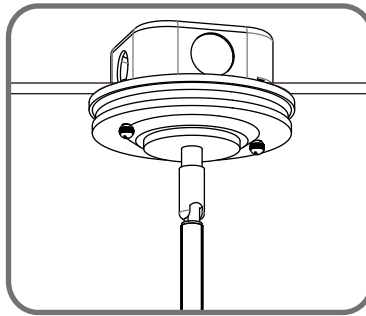
STEP 4

OPTION 1

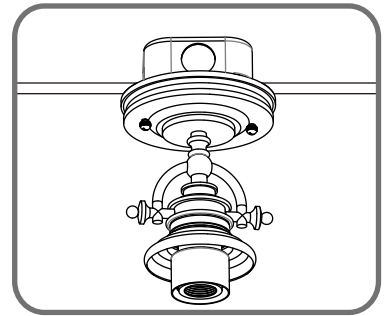
OPTION 2



UQL3665



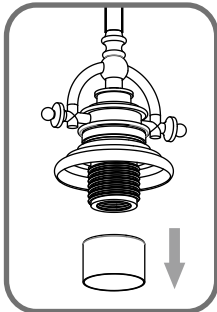
UQL3669



STEP 5

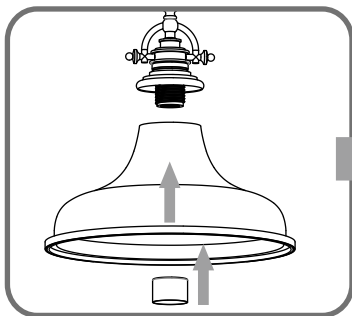
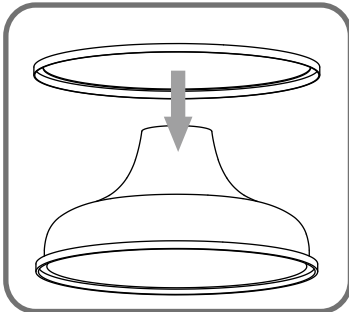
1

Remove socket collar



2

Place the ring

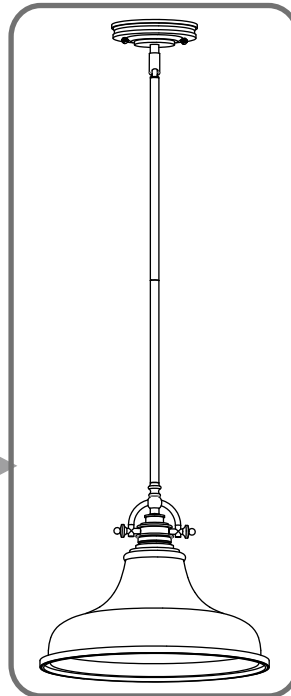


Install shade with ring

3

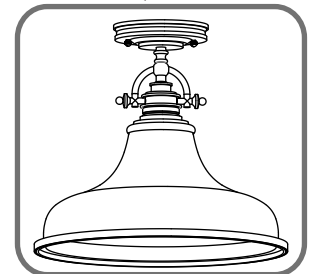
OPTION 1

UQL3665



OPTION 2

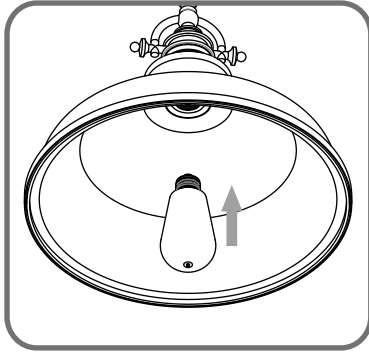
UQL3669



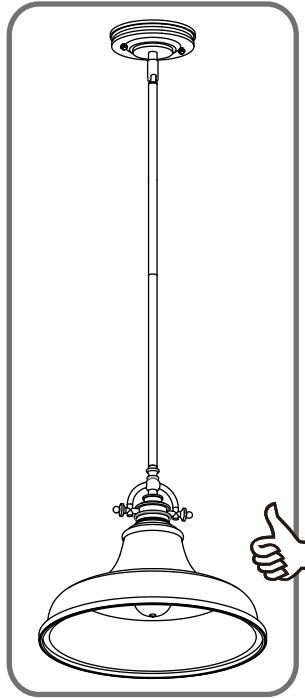
STEP 6

OPTION 1

OPTION 2



UQL3665



UQL3669

