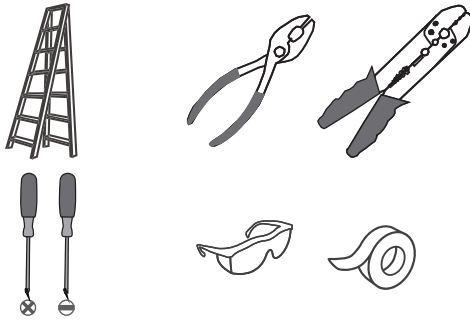
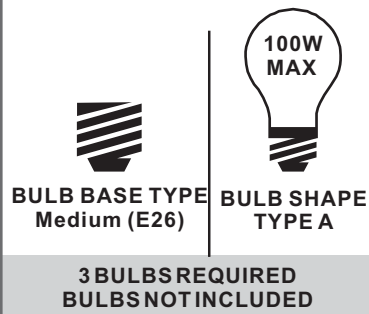


### Tools Required



### Light Source



### Fixture Height Adjustable 21.5" to 57.5"

#### ⚠ Warnings and Cautions

Turn off the electricity at the circuit breaker before installation. Consult a licensed electrician if in doubt about installation.

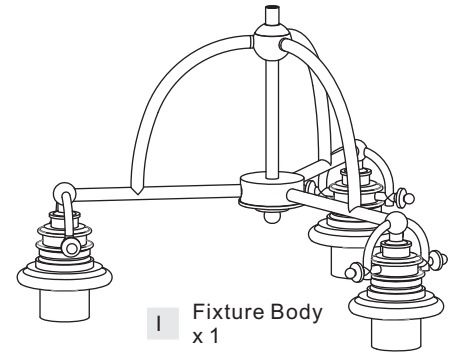
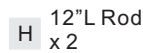
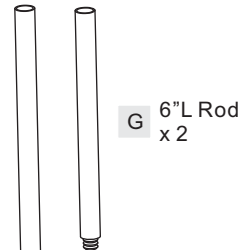
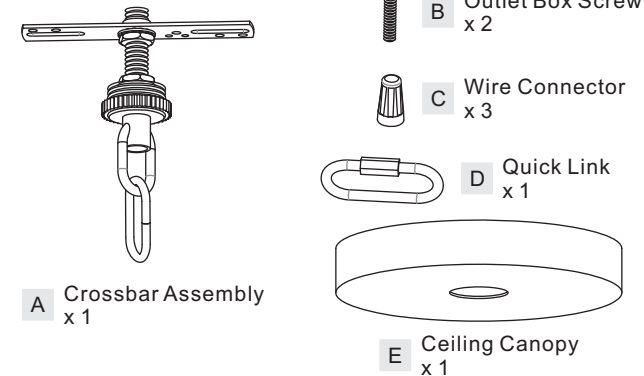
Turn off power to the fixture and allow the bulbs to cool before replacing.

### Package Contents

**Preparation:** Identify and inspect all parts before beginning the installation.

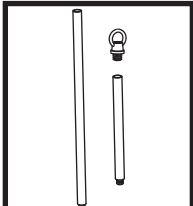
Missing or damaged parts? Contact your original place of purchase.

#### PARTS BAG



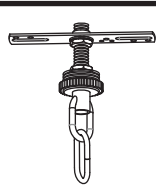
### Table of Contents

#### Rods & Small Loop



STEP 1

#### Crossbar Assembly



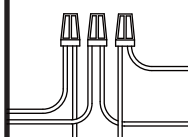
STEP 2

#### Quick Link



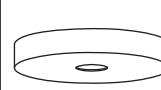
STEP 3

#### Wiring



STEP 4

#### Ceiling Canopy



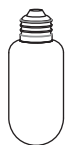
STEP 5

#### Ring & Shade



STEP 6

#### Bulb



STEP 7

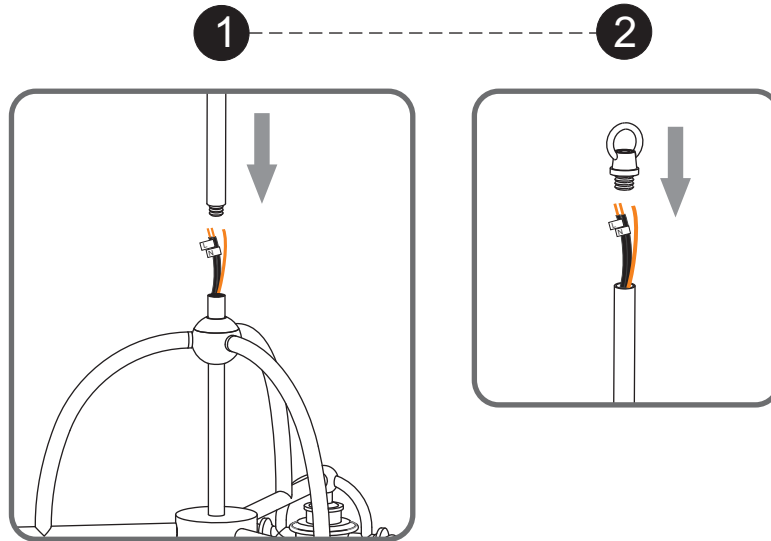
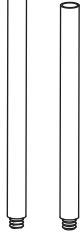
## STEP 1

**Optional Rods**

**8' ceiling:**  
(1) 12"L rods

**9' ceiling:**  
(2) 12"L rods

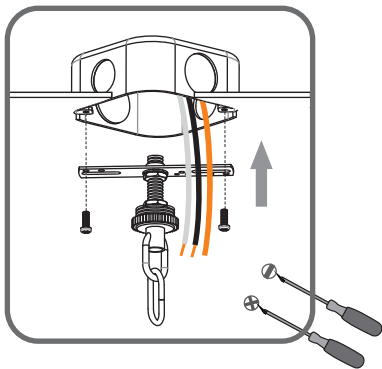
**10' ceiling:**  
(2) 6"L + (2) 12"L rods



## STEP 2

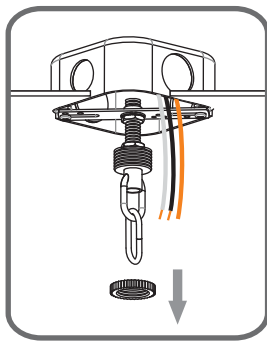
1

**Step 1**  
Install crossbar assembly

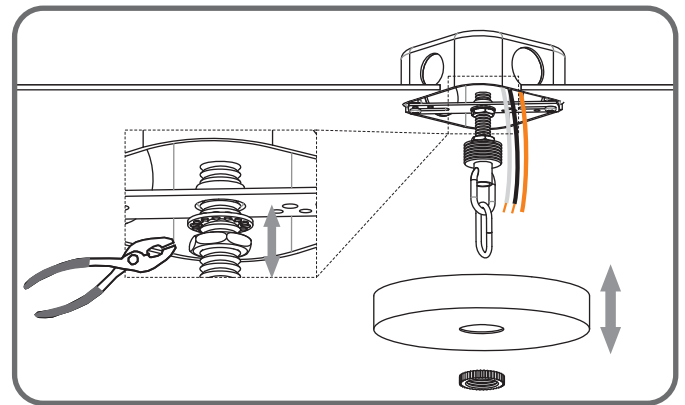


2

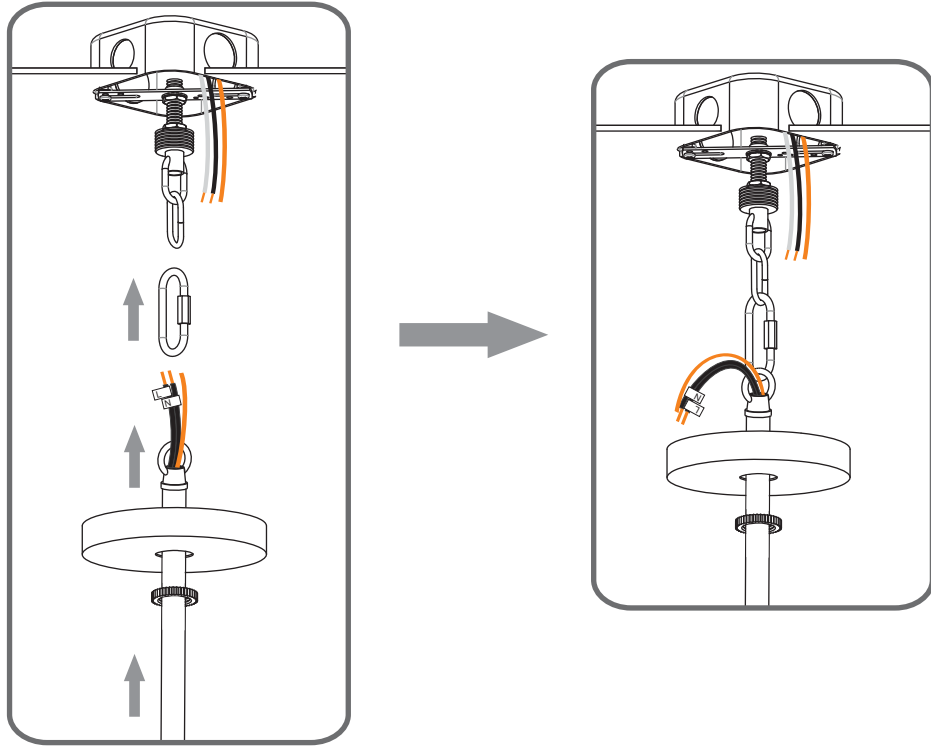
**Step 2 - 3**  
Test fitting ceiling canopy to nipple



3



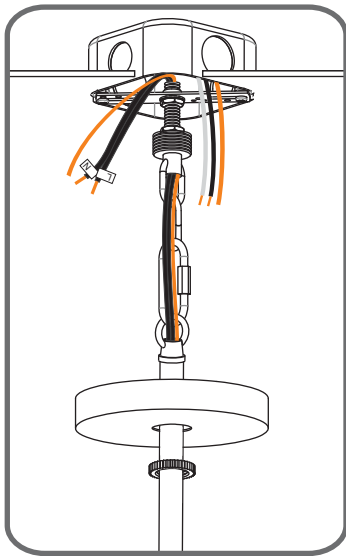
### STEP 3



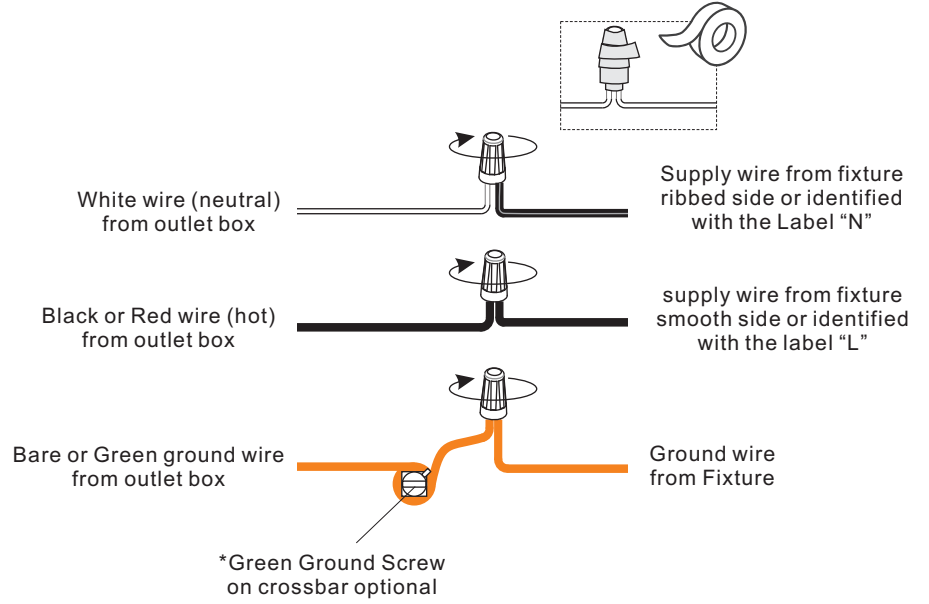
### STEP 4

1

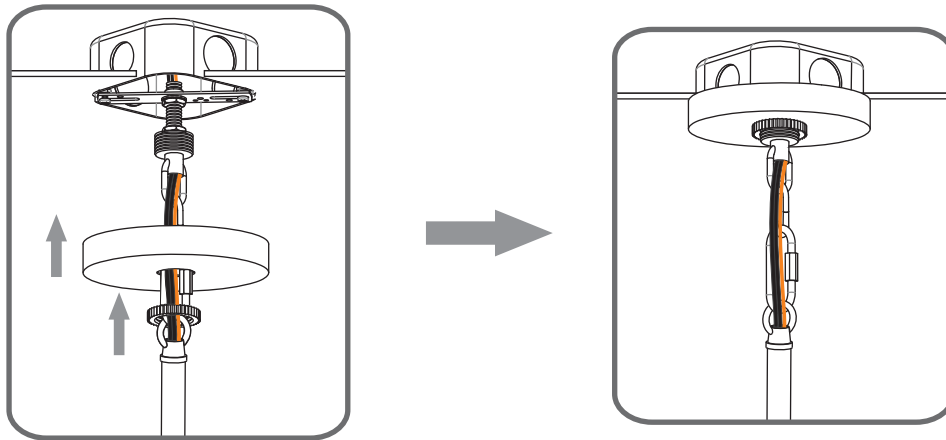
Step 1  
Feed the fixture wires  
through the loop



2



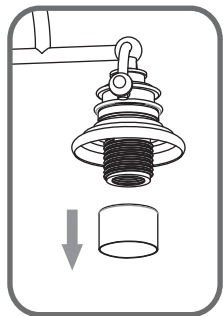
**STEP 5**



**STEP 6**

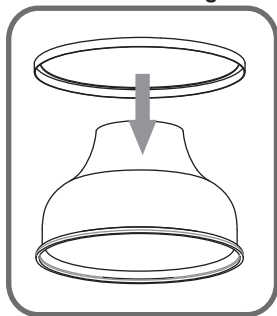
1

Remove socket collar



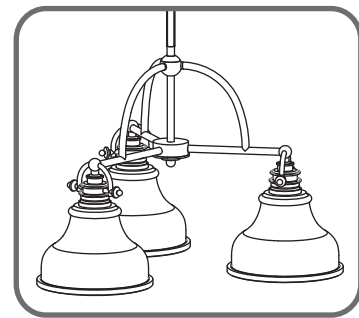
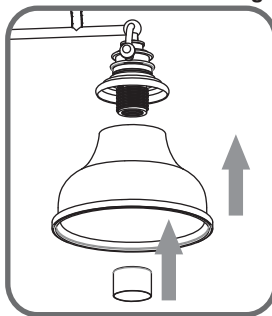
2

Place the ring



3

Install shade with ring



**STEP 7**

