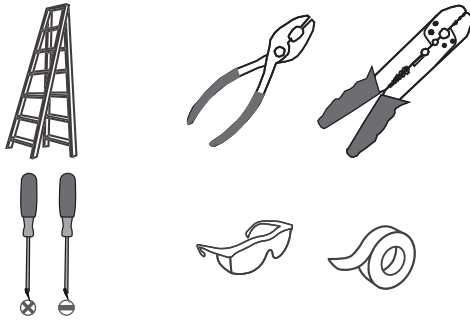
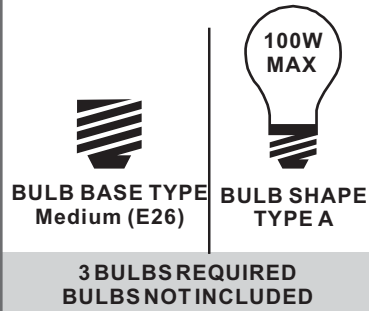


Tools Required



Light Source



Fixture Height Adjustable 21.5" to 57.5"

⚠ Warnings and Cautions

Turn off the electricity at the circuit breaker before installation. Consult a licensed electrician if in doubt about installation.

Turn off power to the fixture and allow the bulbs to cool before replacing.

Package Contents

Preparation: Identify and inspect all parts before beginning the installation.

Missing or damaged parts? Contact your original place of purchase.

PARTS BAG

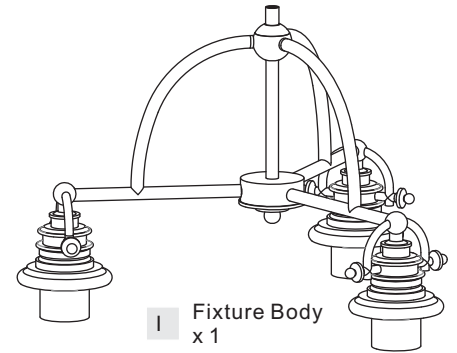
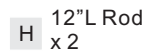
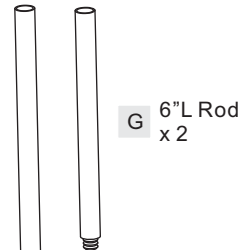
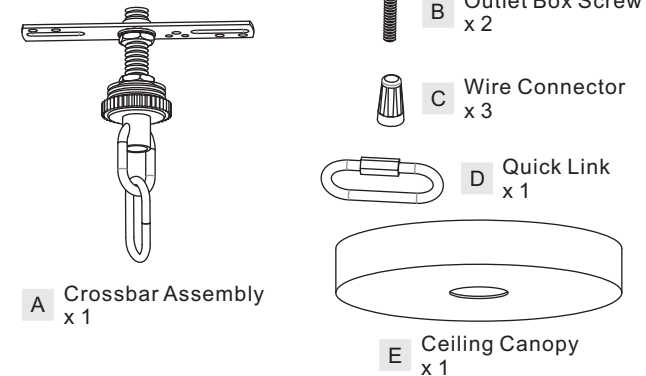
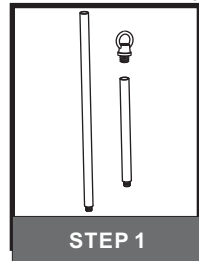


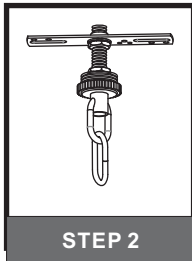
Table of Contents

Rods & Small Loop



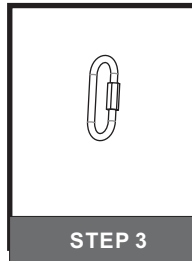
STEP 1

Crossbar Assembly



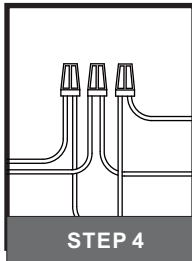
STEP 2

Quick Link



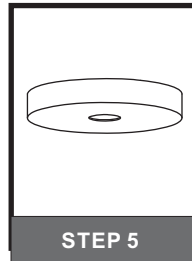
STEP 3

Wiring



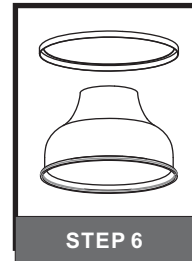
STEP 4

Ceiling Canopy



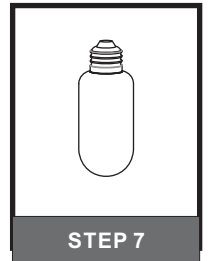
STEP 5

Ring & Shade



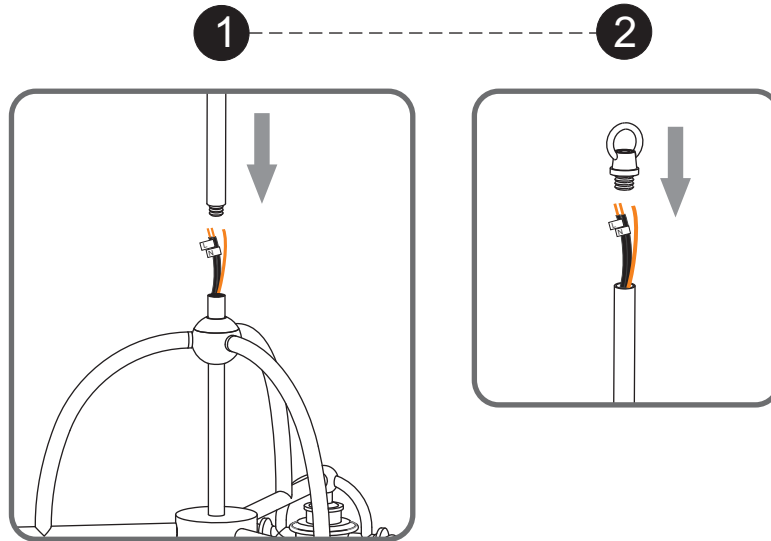
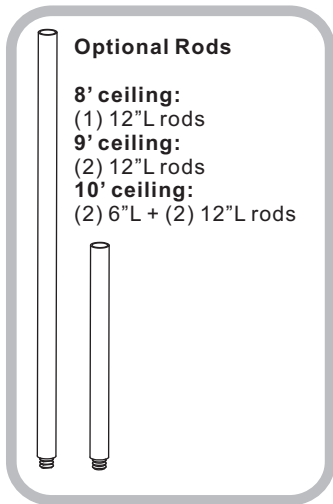
STEP 6

Bulb



STEP 7

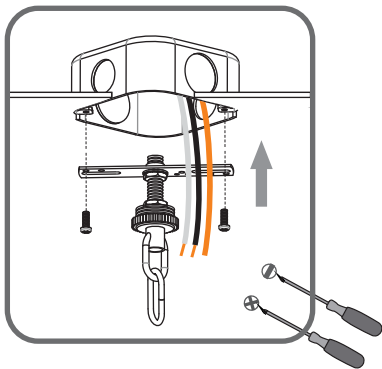
STEP 1



STEP 2

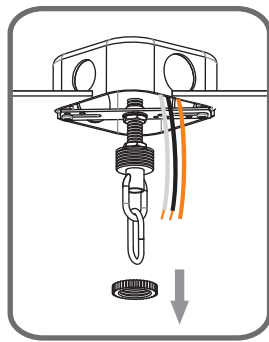
1

Step 1
Install crossbar assembly

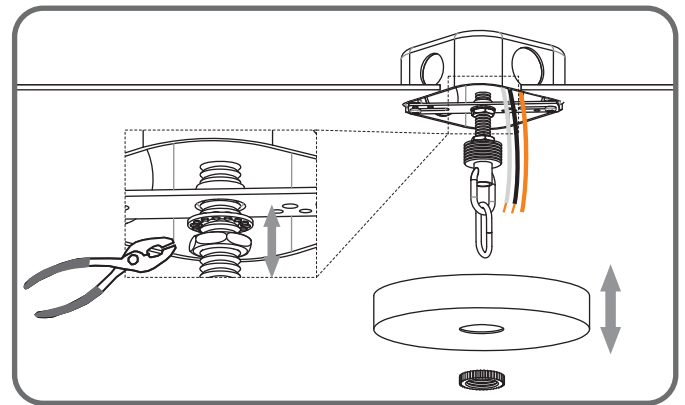


2

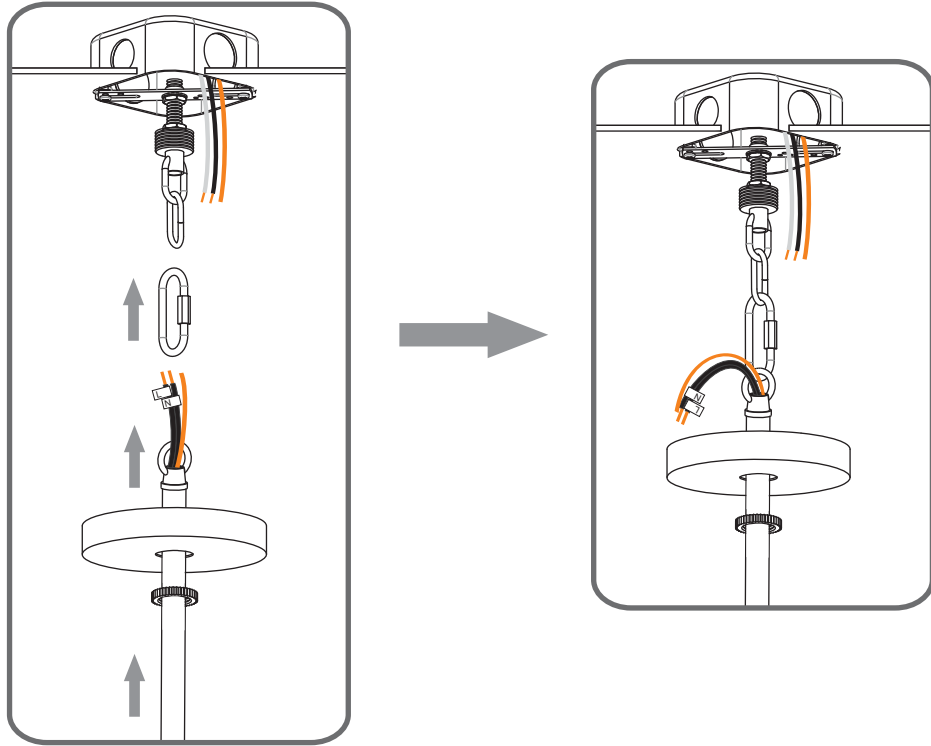
Step 2 - 3
Test fitting ceiling canopy to nipple



3



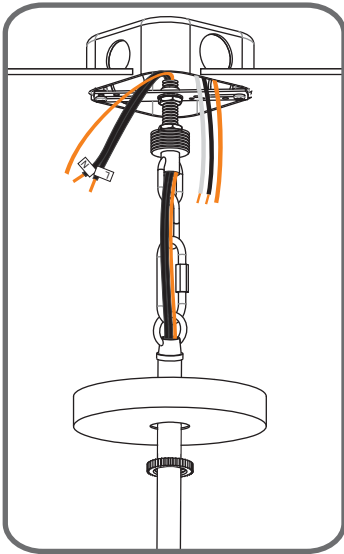
STEP 3



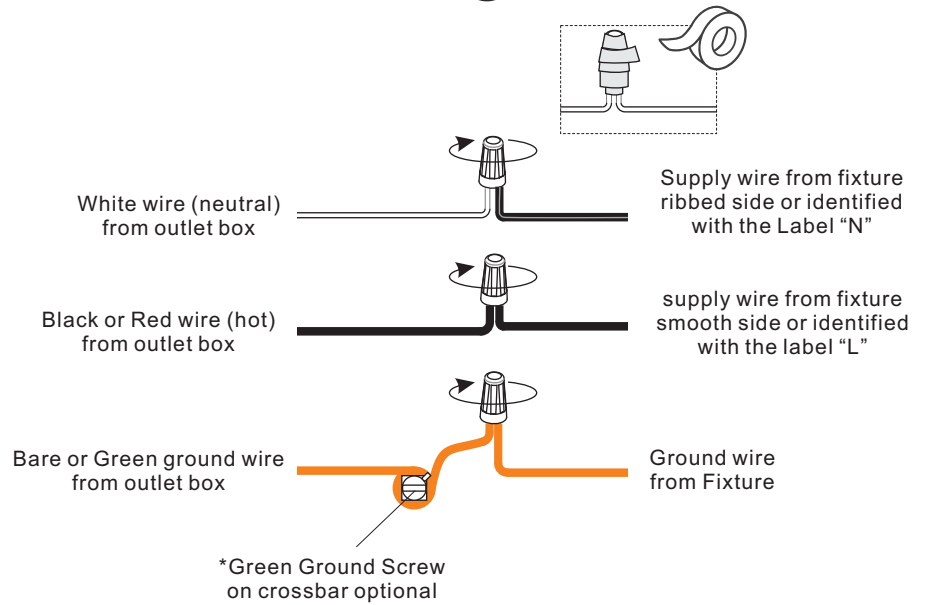
STEP 4

1

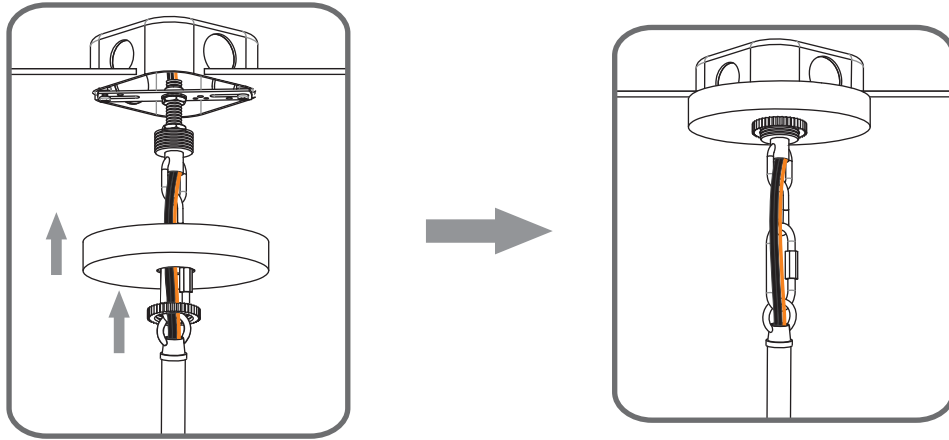
Step 1
Feed the fixture wires
through the loop



2



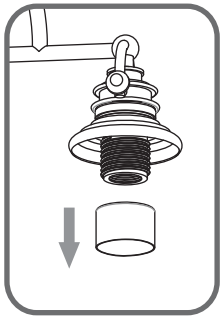
STEP 5



STEP 6

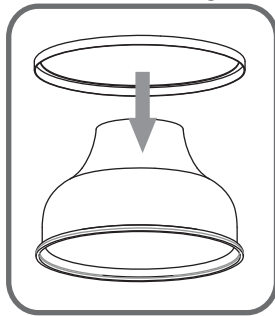
1

Remove socket collar



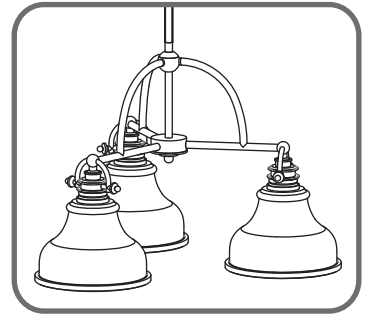
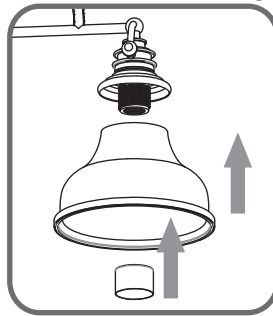
2

Place the ring



3

Install shade with ring



STEP 7

