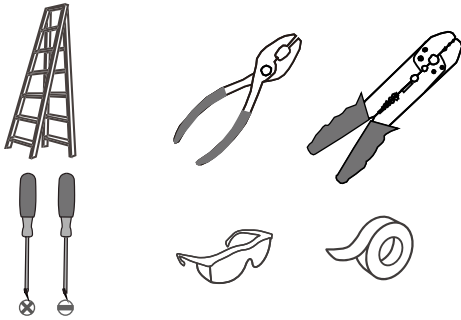
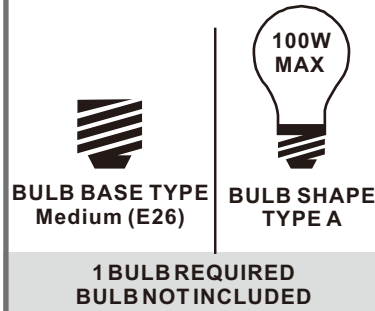


### Tools Required



### Light Source



### Fixture Height Adjustable 12" to 50"

#### ⚠ Warnings and Cautions

Turn off the electricity at the circuit breaker before installation. Consult a licensed electrician if in doubt about installation.

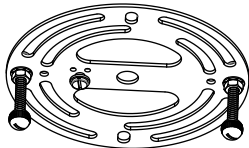
Turn off power to the fixture and allow the bulbs to cool before replacing.

### Package Contents

**Preparation:** Identify and inspect all parts before beginning the installation.

Missing or damaged parts? Contact your original place of purchase.

#### PARTS BAG



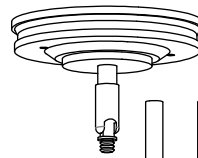
**A** Crossbar Assembly  
x 1



**B** Outlet Box Screw  
x 2



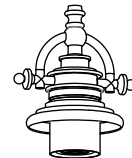
**C** Wire Connector  
x 3



**D** Ceiling Canopy Assembly  
x 1

**E** 6" L Rod  
x 2

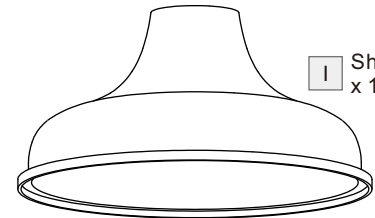
**F** 12" L Rod  
x 2



**G** Fixture Body  
x 1



**H** Ring  
x 1



**I** Shade  
x 1

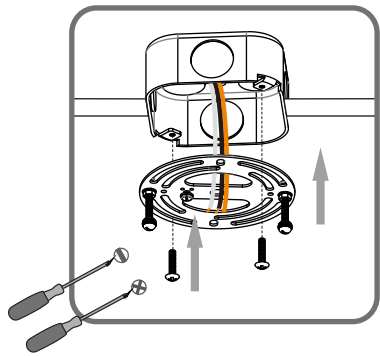
### Table of Contents

Crossbar Assembly	Ceiling Canopy Assembly & Downrod	Wiring	Ceiling Canopy	Ring & shade	Bulb
STEP 1	STEP 2	STEP 3	STEP 4	STEP 5	STEP 6

**STEP 1**

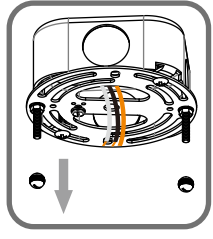
**1**

**Step 1**  
Install crossbar assembly

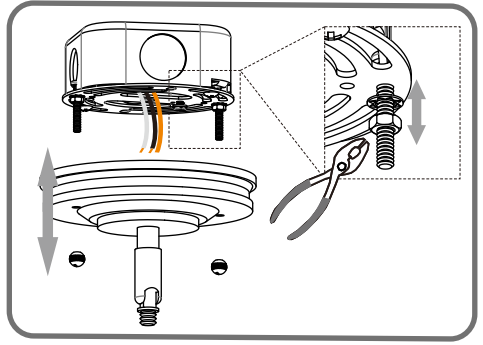


**2**

**Step 2 - 3**  
Test fitting ceiling canopy to mounting screws



**3**



**STEP 2**

**OPTION 1**

Pendant — UQL3664

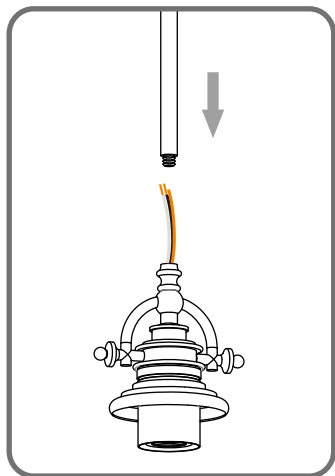
**Optional Rods**

**8' ceiling:**  
(2) 12" L rods

**9' ceiling:**  
(2) 6" L + (2) 12" L rods

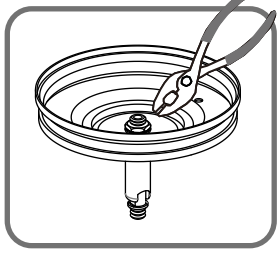
**1**

**Install rods**



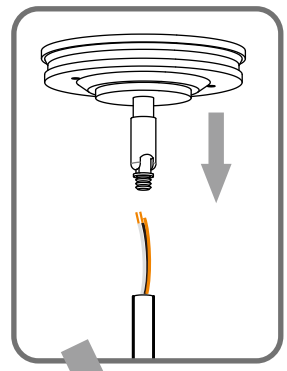
**2**

**Tighten hex nut inside of the ceiling canopy**



**3**

**Install Ceiling Canopy**

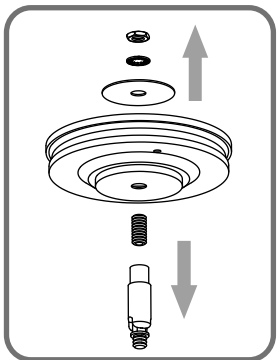


**OPTION 2**

Semi-flush — 3668

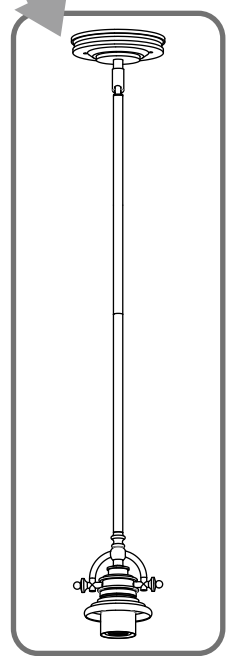
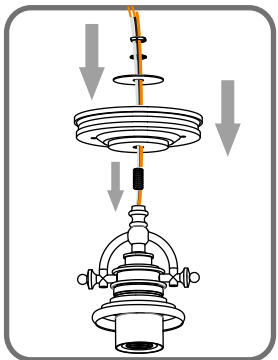
**1**

**Remove swivel**

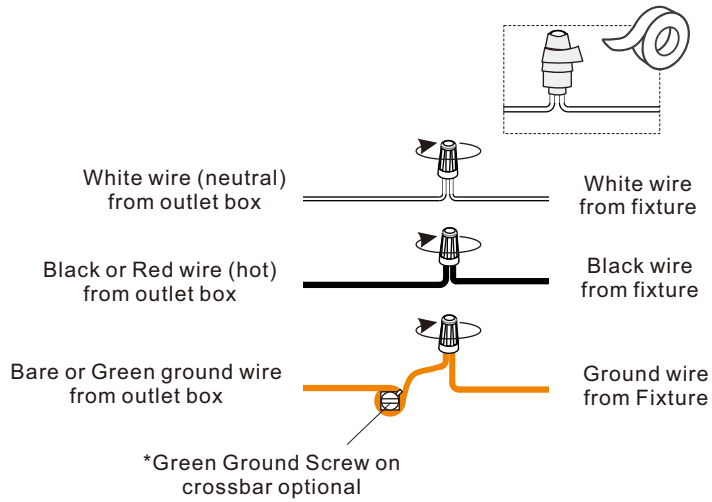


**2**

**Install ceiling canopy**



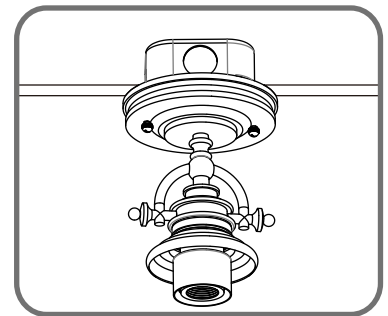
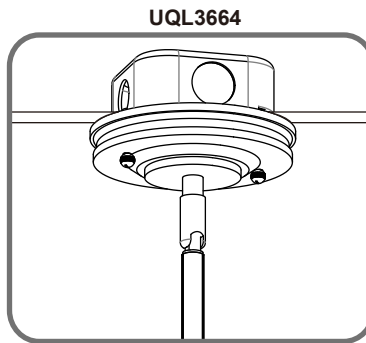
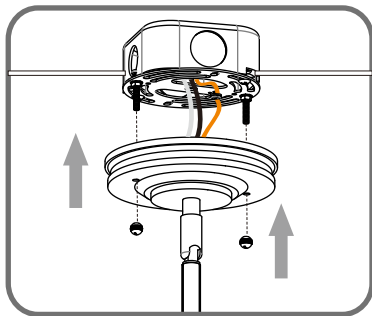
### STEP 3



### STEP 4

## OPTION 1

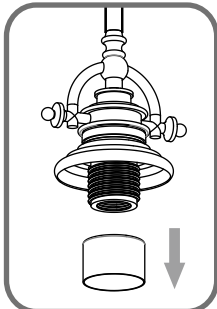
## OPTION 2



### STEP 5

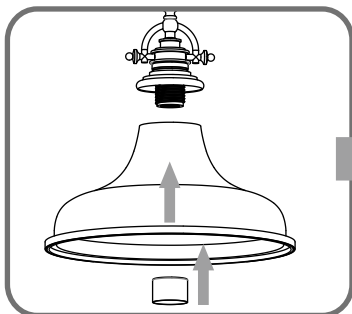
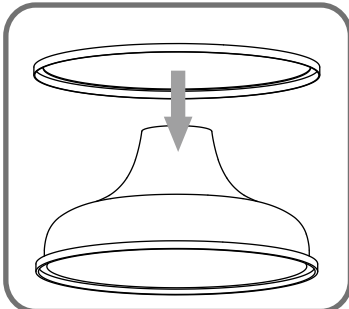
1

Remove socket collar



2

Place the ring

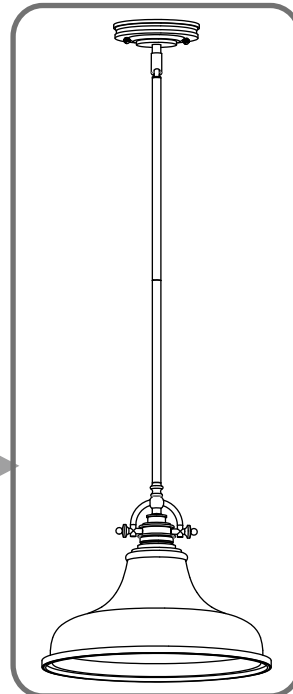


Install shade with ring

3

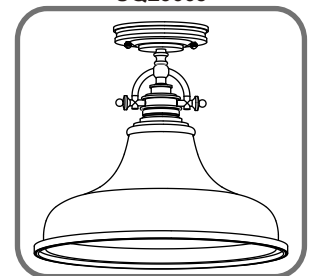
## OPTION 1

UQL3664

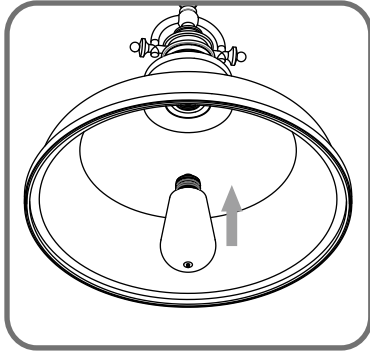


## OPTION 2

UQL3668

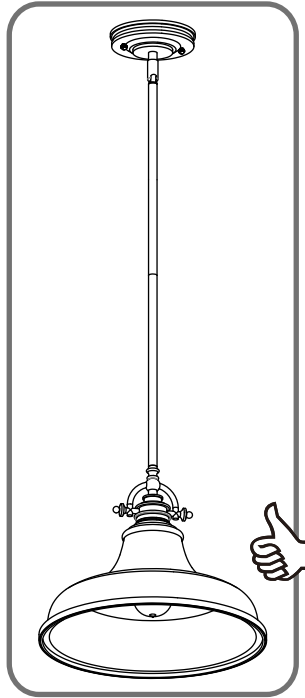


STEP 6



OPTION 1

UQL3664



OPTION 2

UQL3668

