

Please go to [www.quoise.com](http://www.quoise.com) for product cleaning tips. Go to the **Care + Maintenance** selection.

**Tools Required:** Flathead screwdriver, Phillips screwdriver, pliers, wire cutters, wire strippers, electrical tape, safety glasses.

**Light Source:** (4) B10 Candelabra Base Bulbs 60W Maximum, Candelabra Base T8 Vintage Bulbs are recommended, bulbs not included.

**Estimated Assembly Time:** 20-30 minutes

**Preparation:** Identify and inspect all parts before beginning installation. Check package content list and diagrams below to ensure all parts are present. If any parts are missing or damaged, do not attempt to assemble, install, or operate the fixture. Contact your original place of purchase.

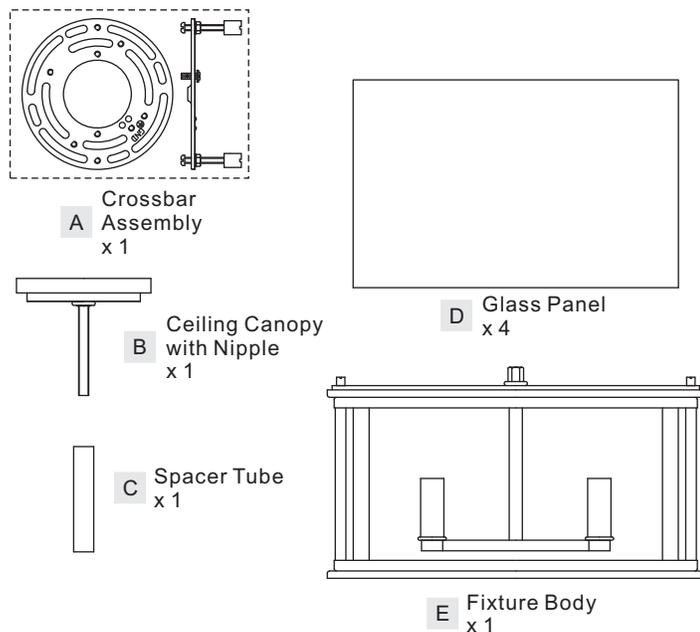
### ⚠ Warnings and Cautions

Turn off electricity at circuit breaker or main fuse box before installation. Consult a licensed electrician if in doubt.

These instructions are provided for your safety. It is very important you read them completely before installing the fixture. We strongly recommend that a licensed, professional electrician perform the installation.

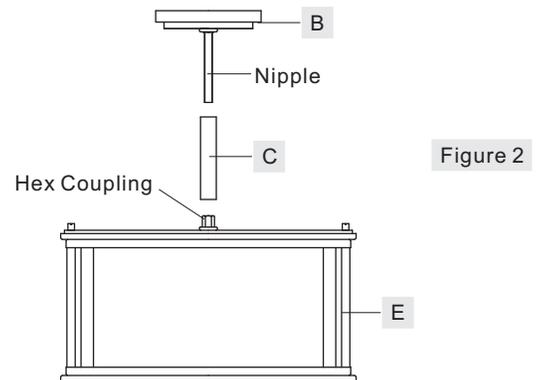
Disconnect fixture from power source before replacing bulbs. Make sure bulbs are given sufficient time to cool before removal.

### Package Contents



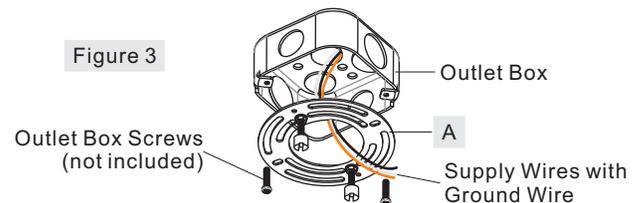
### STEP 2 – Install Spacer Tube and Ceiling Canopy

A. Place the Spacer Tube (C) over the nipple at the bottom of the Ceiling Canopy (B) and then thread the nipple onto the hex coupling on the top center of the Fixture Body (E). Hand tighten until snug.



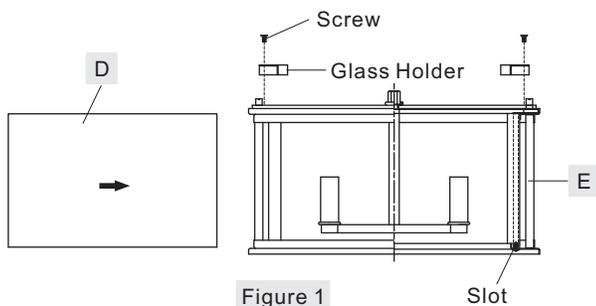
### STEP 3 – Installing the Crossbar Assembly

A. Pass the supply wires from outlet box through the Crossbar Assembly (A). Attach the Crossbar Assembly (A) to the Outlet Box with the head of the Green Ground Screw facing you. Secure the Crossbar Assembly (A) with Outlet Box Screws (not included). Tighten until snug.



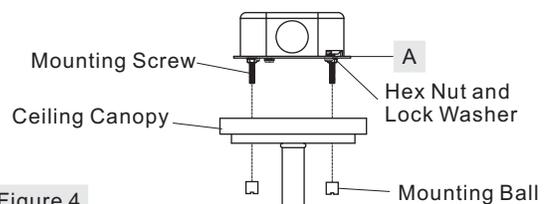
### STEP 1 – Install Glass Panels

A. Remove screws and glass holder from each block at the top corner of the Fixture Body (E).  
 B. **(2) People are recommended for this step.** Insert Glass Panels (D) into the slot in the bottom edge of the Fixture Body (E). With one person hold Glass Panels (D), another person place previously removed glass holders onto the top edge of Glass Panels (D) and align the holes on glass holders to mounting holes at the top corners of the Fixture Body (E) as shown. Secure with previously removed screws and hand tighten until snug with screwdrivers.



### STEP 4 – Test Fitting Ceiling Canopy to Crossbar Assembly

A. Remove mounting balls from the Crossbar Assembly (A). Fit the Ceiling Canopy (B) to the Crossbar Assembly (A) and secure with



**(Step 4 Continued)**

mounting balls. Note: The Ceiling Canopy (B) should be snug against the ceiling and the mounting balls. If not, adjust the length of the nipple on the Crossbar Assembly (A) by unscrewing the preassembled hex nut and lock washer and then screwing the mounting screws in or out of the crossbar until the correct length is achieved. Once the Ceiling Canopy (B) is secure, remove the mounting ball and Ceiling Canopy (B).

**STEP 5 - Wire Connections**

- A. Wrap bare or green ground wire around green ground screw on the crossbar, no less than 2 inches from the end of the wire. Tighten the green ground screw.
- B. Use standard wire connectors (not included) to make all wire connections. Twist connectors until wires are tightly joined together. Wrap each connection with approved electrical tape and carefully stuff all the connected wires into the Outlet Box.

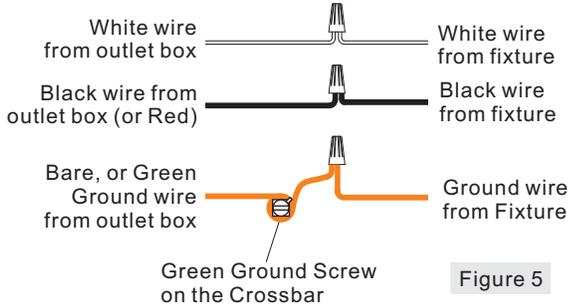


Figure 5

**STEP 6 - Install Fixture to Ceiling**

- A. Carefully tuck all wires into the outlet box and position the Ceiling Canopy (B) over the outlet box. Align the holes in the ceiling canopy with the mounting screws, then attach the Ceiling Canopy (B) using the previously removed mounting balls. Hand tighten until snug.

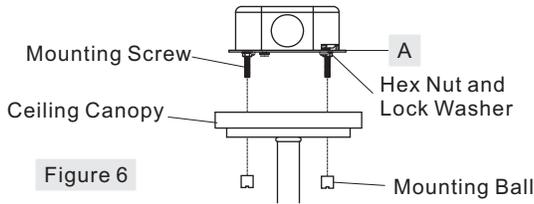


Figure 6

**STEP 7 - Install Bulbs**

- A. Insert bulbs onto sockets and screw snugly into place.
- B. If necessary, adjust the socket assembly to make sure socket assembly is parallel with cage.

Your fixture is now assembled and ready to use. Enjoy!

T8 Vintage Bulb (recommended but not included)

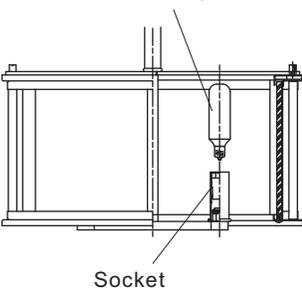
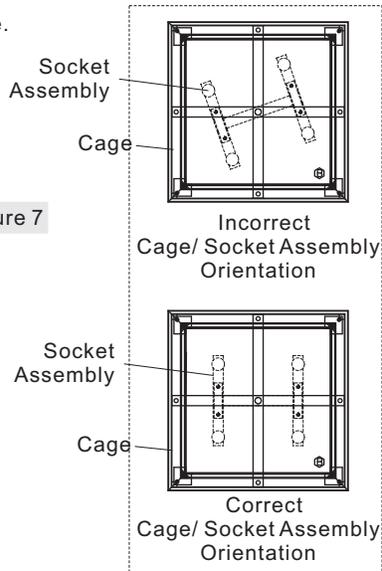
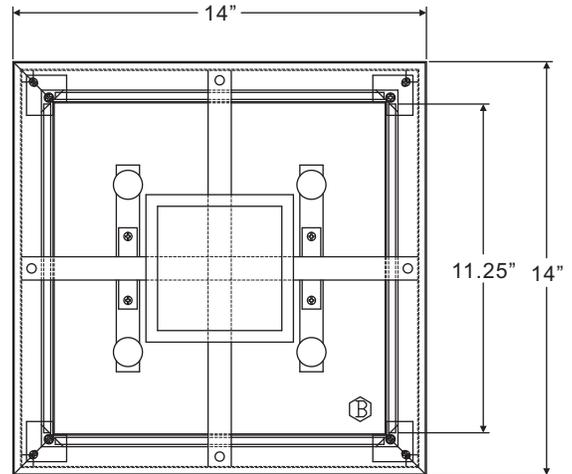
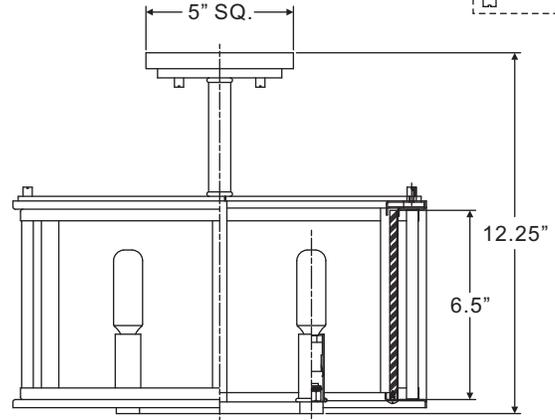
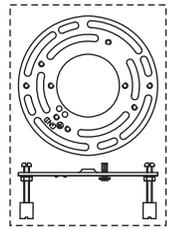


Figure 7



UQL3531

FINISH: NATURAL BLACK



NOTE: ALL DIMENSIONS ARE ROUNDED UP TO THE NEAREST 1/4"