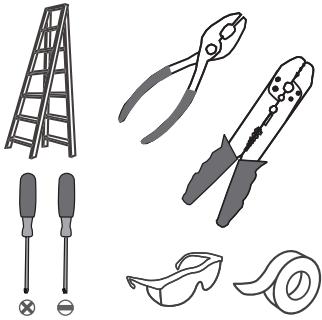
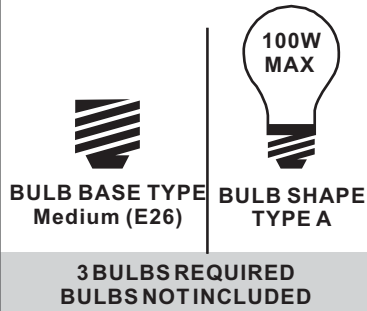


Tools Required



Light Source



Warnings and Cautions

Turn off the electricity at the circuit breaker before installation. Consult a licensed electrician if in doubt about installation.

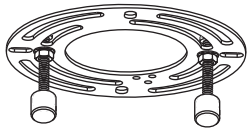
Turn off power to the fixture and allow the bulbs to cool before replacing.

Package Contents

Preparation: Identify and inspect all parts before beginning the installation.

Missing or damaged parts? Contact your original place of purchase.

PARTS BAG



A Crossbar Assembly x 1



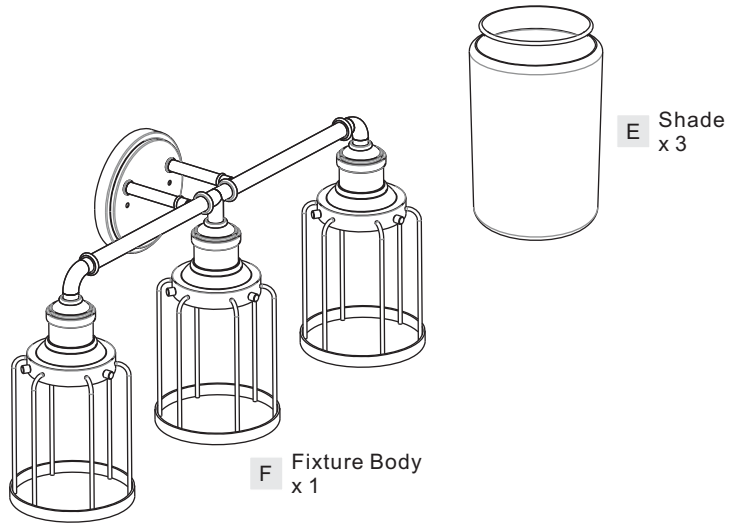
B Alternate Mounting Screw x 2



C Outlet Box Screw x 2



D Wire Connector x 3

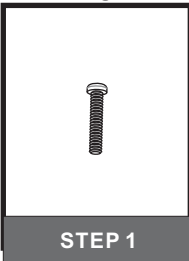


F Fixture Body x 1

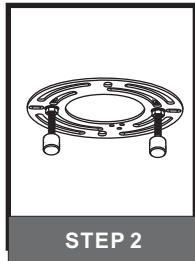
E Shade x 3

Table of Contents

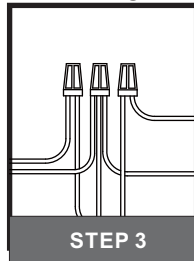
Alternate Mounting Screw



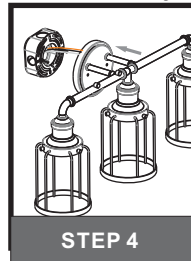
Crossbar Assembly



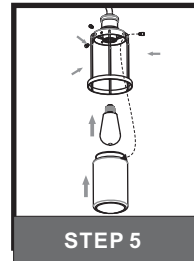
Wiring



Fixture Body



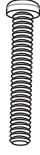
Bulb & Shade



STEP 1

OPTION 1

Standard Mounting Screw



Included (Pre-assembled)

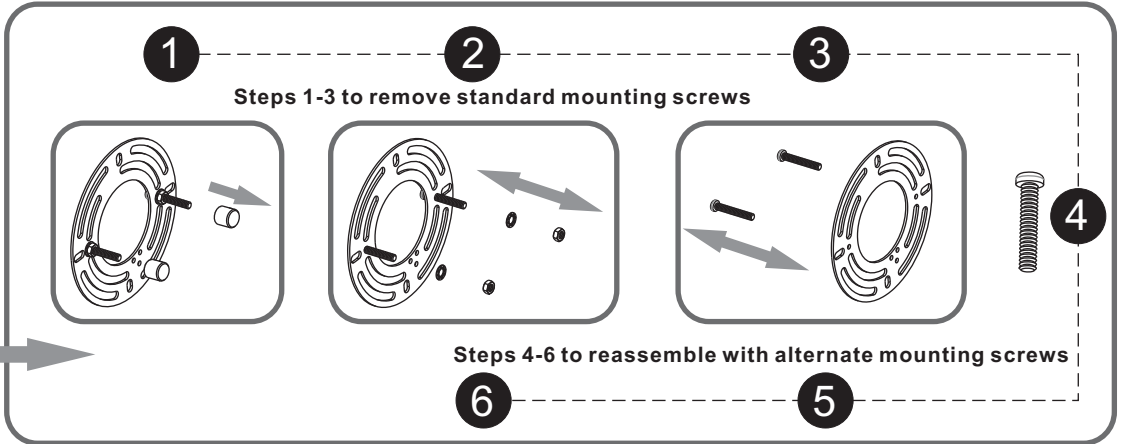
OPTION 2

Alternate Mounting Screw

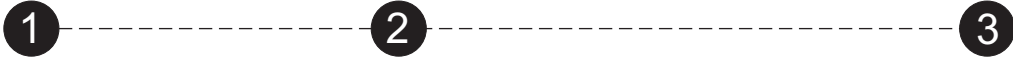


Included

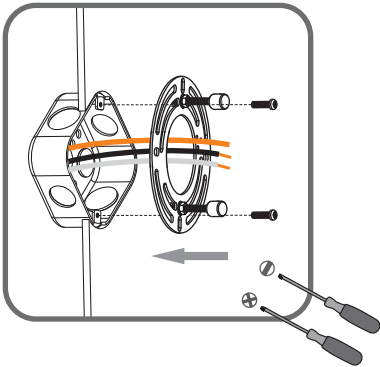
skip to next page



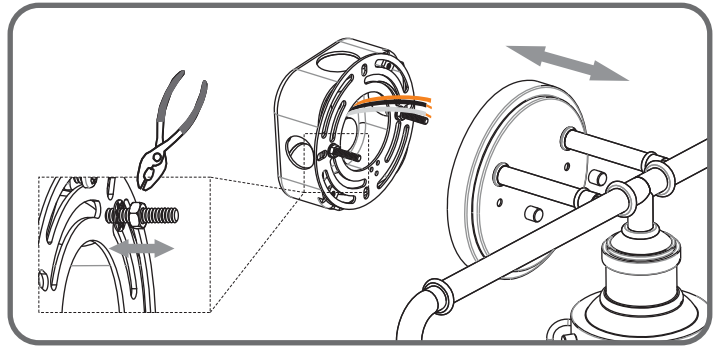
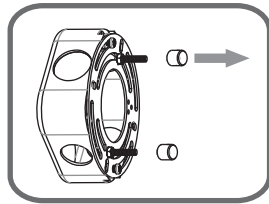
STEP 2



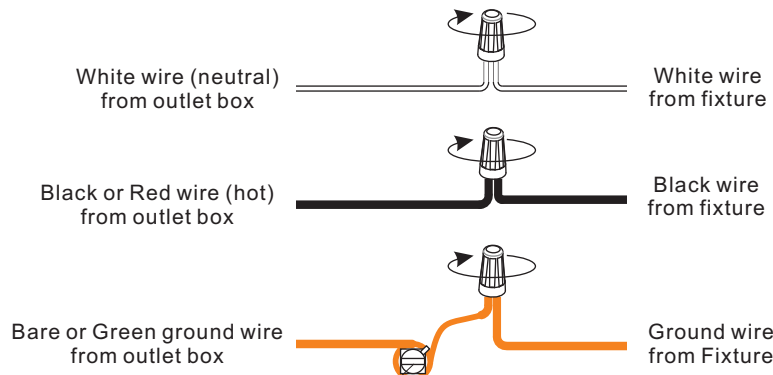
Step 1
Install crossbar assembly



Step 2 - 3
Test fitting backplate to mounting screws

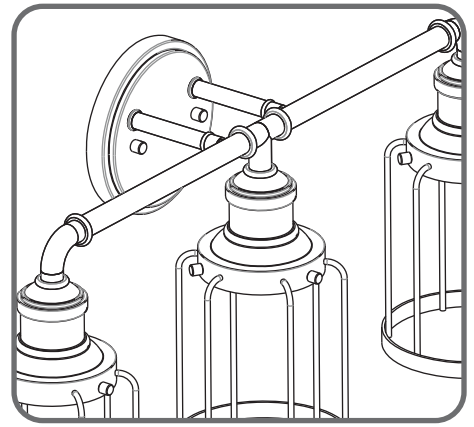
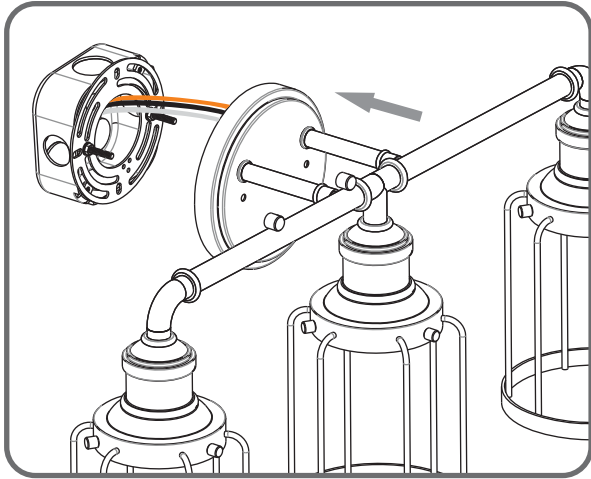


STEP 3



*Green Ground Screw on crossbar optional

STEP 4



STEP 5

