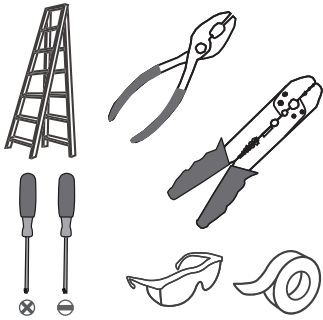
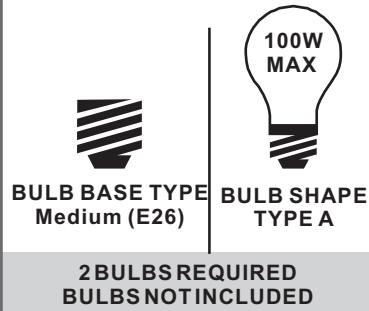


### Tools Required



### Light Source



### Warnings and Cautions

Turn off the electricity at the circuit breaker before installation. Consult a licensed electrician if in doubt about installation.

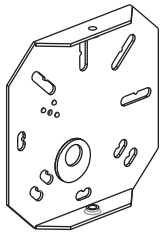
Turn off power to the fixture and allow the bulbs to cool before replacing.

### Package Contents

**Preparation:** Identify and inspect all parts before beginning the installation.

Missing or damaged parts? Contact your original place of purchase.

#### PARTS BAG

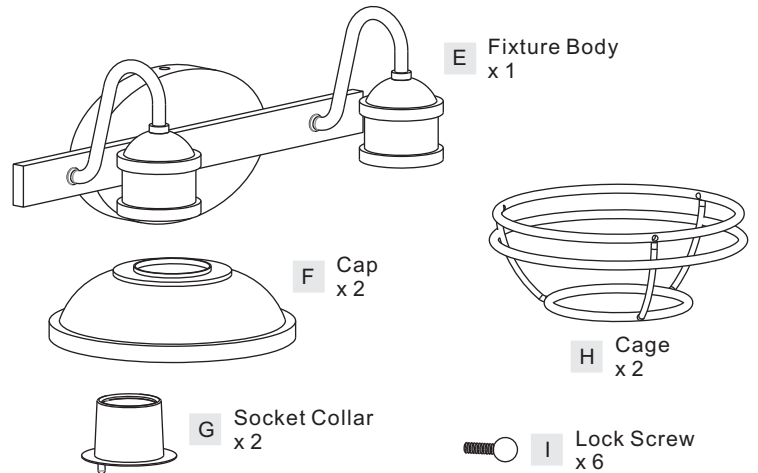


A Inner Backplate x 1

B Lock Screw x 2

C Outlet Box Screw x 2

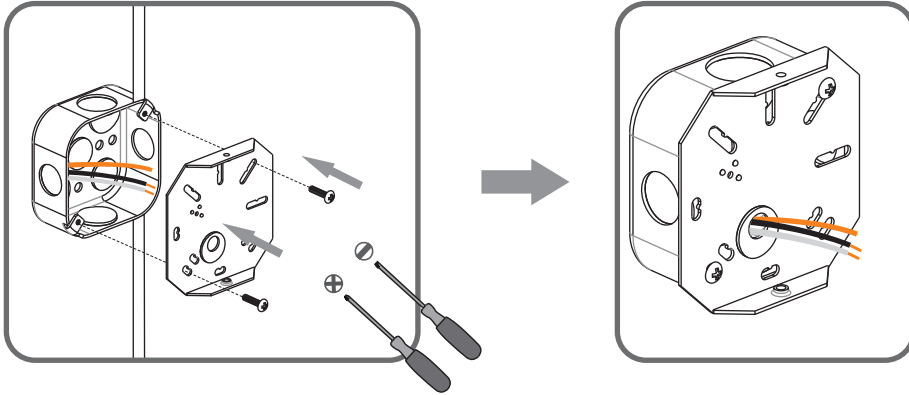
D Wire Connector x 3



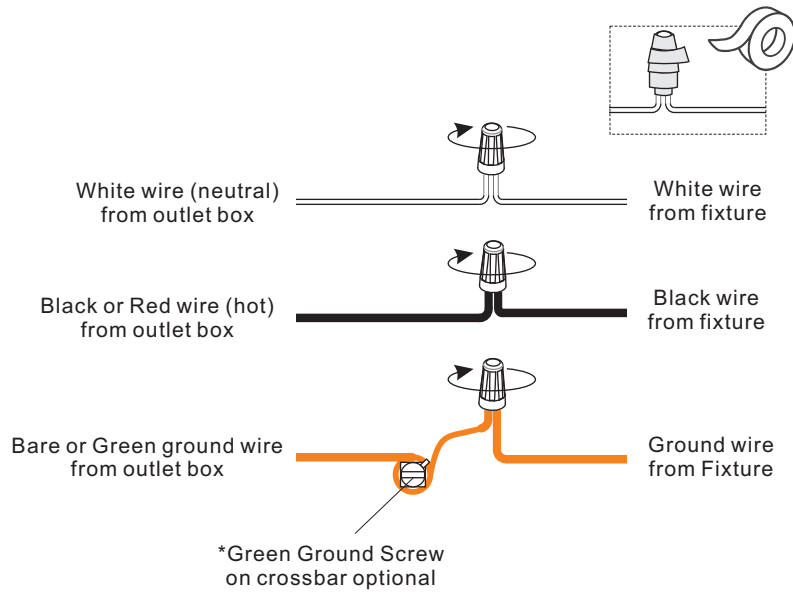
### Table of Contents

Inner Backplate	Wiring	Fixture Body	Cap	Cage	Bulb
STEP 1	STEP 2	STEP 3	STEP 4	STEP 5	STEP 6

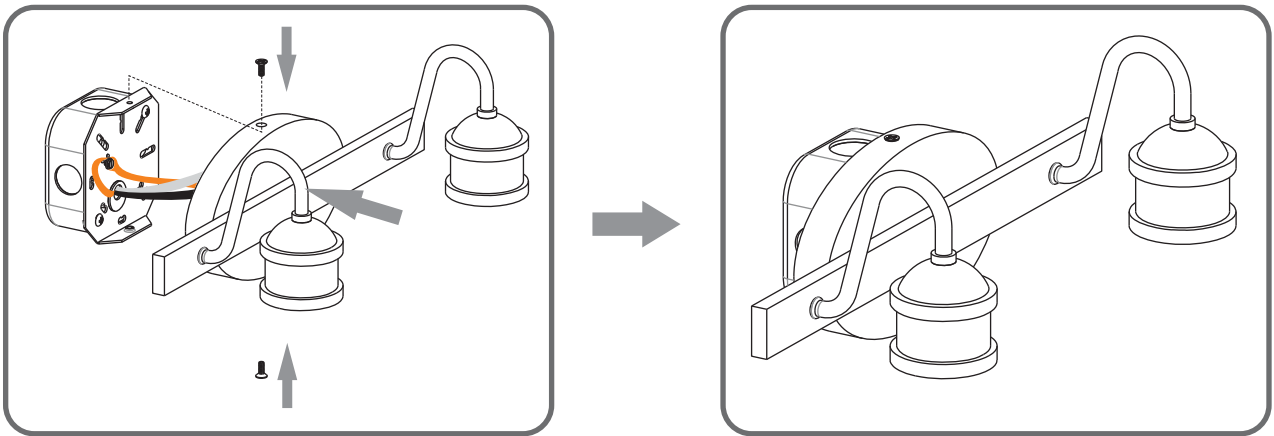
**STEP 1**



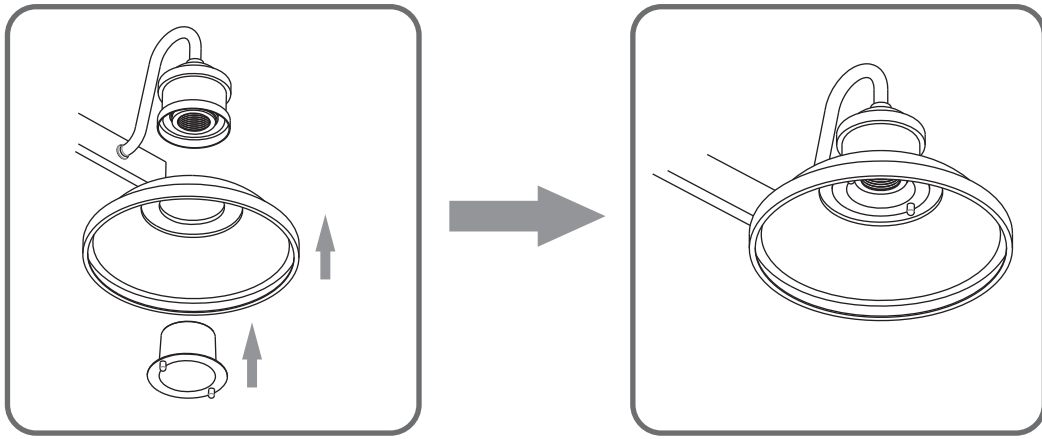
**STEP 2**



**STEP 3**



**STEP 4**

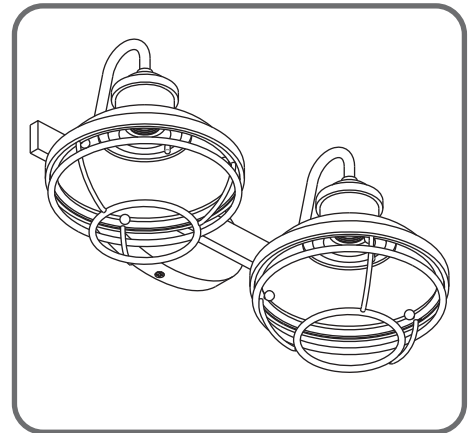
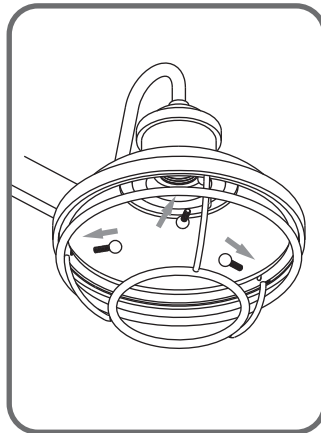
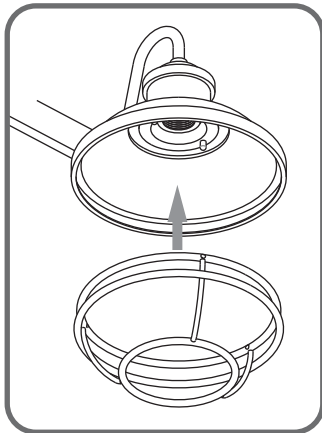


**STEP 5**

- 1 ----- 2

Attach cage to cap

Install lock screws



**STEP 6**

