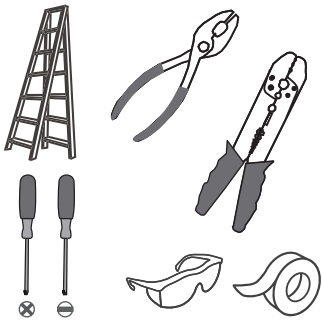
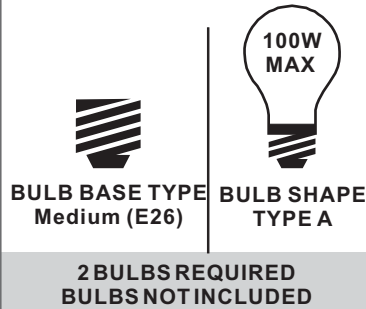


### Tools Required



### Light Source



### ⚠ Warnings and Cautions

Turn off the electricity at the circuit breaker before installation. Consult a licensed electrician if in doubt about installation.

Turn off power to the fixture and allow the bulbs to cool before replacing.

### Package Contents

**Preparation:** Identify and inspect all parts before beginning the installation.

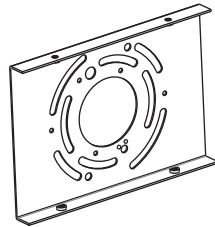
Missing or damaged parts? Contact your original place of purchase.

**Note:** Shade shape is for illustration purpose only. Your shade shape may vary from illustration.

#### PARTS BAG



**A** Mounting Screw x 4



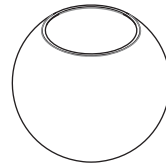
**B** Inner Backplate x 1



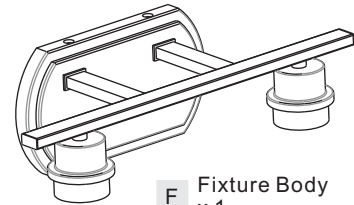
**C** Outlet Box Screw x 2



**D** Wire Connector x 3

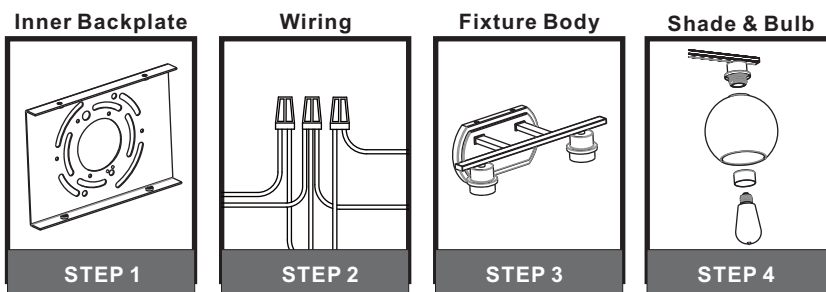


**E** Shade (Varies according to style purchased) x 2

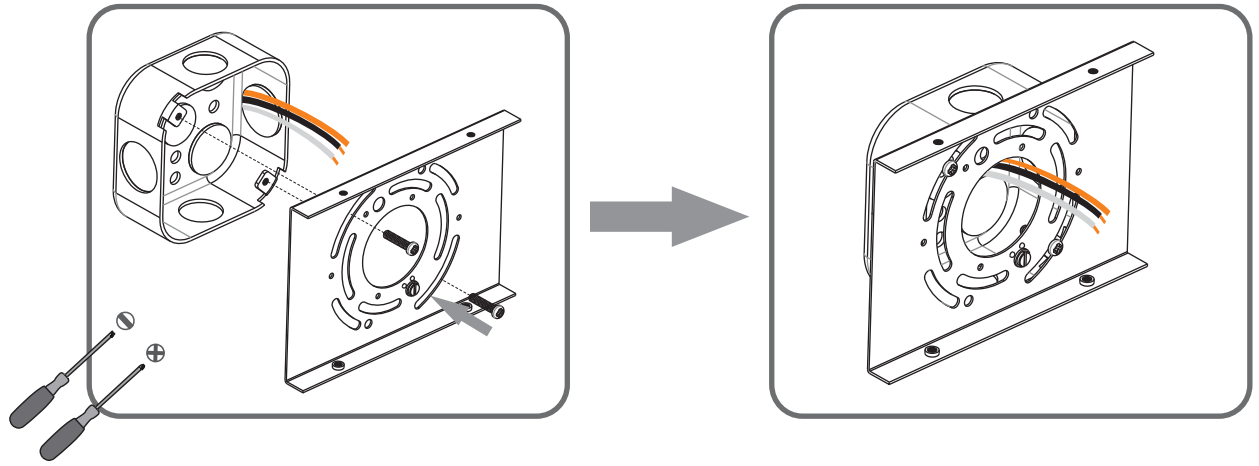


**F** Fixture Body x 1

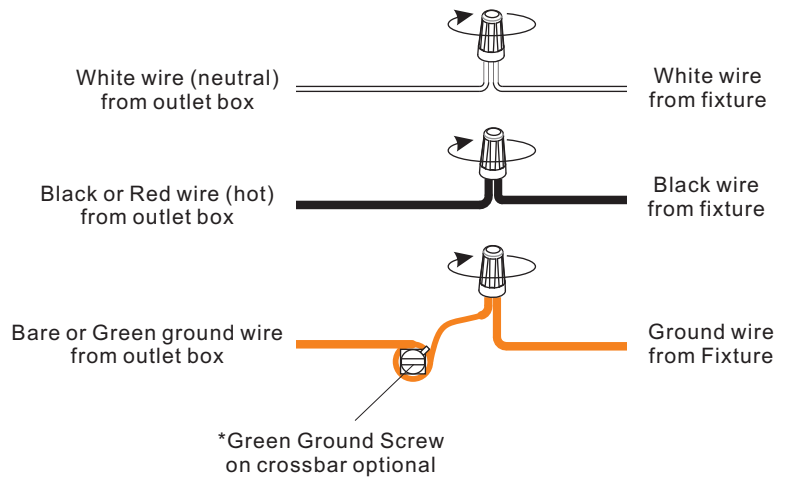
### Table of Contents



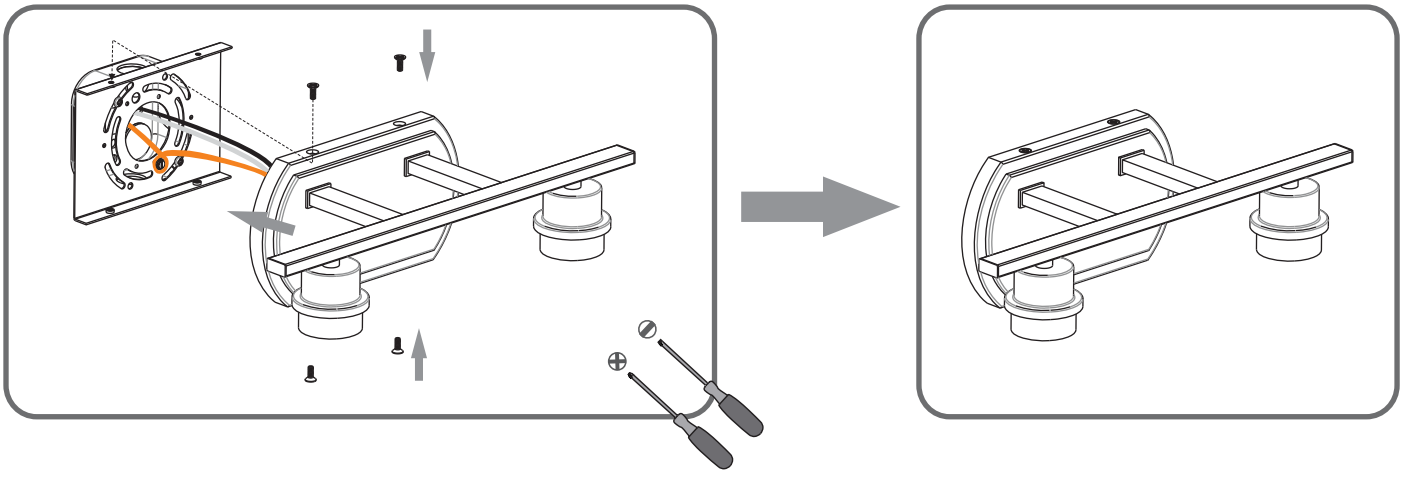
### STEP 1



### STEP 2

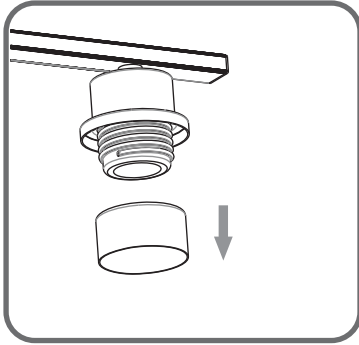


### STEP 3



**STEP 4**

**1**



**2**

**Note: Shade shape is for illustration purpose only. Your shade shape may vary from illustration.**

