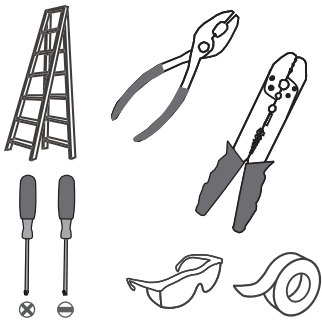
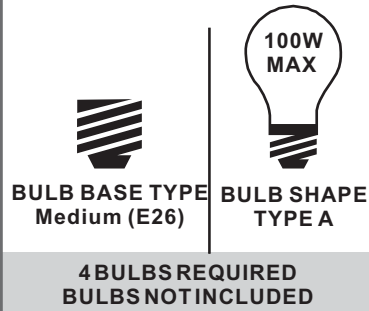


Tools Required



Light Source



⚠ Warnings and Cautions

Turn off the electricity at the circuit breaker before installation. Consult a licensed electrician if in doubt about installation.

Turn off power to the fixture and allow the bulbs to cool before replacing.

Package Contents

Preparation: Identify and inspect all parts before beginning the installation.

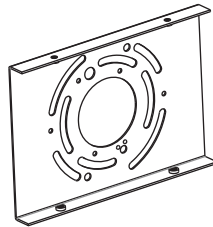
Missing or damaged parts? Contact your original place of purchase.

Note: Shade shape is for illustration purpose only. Your shade shape may vary from illustration.

PARTS BAG



A Mounting Screw
x 4



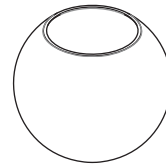
B Inner Backplate
x 1



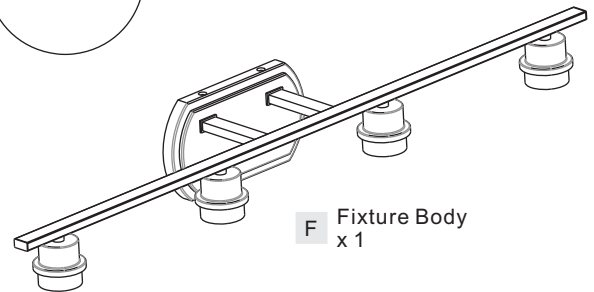
C Outlet Box Screw
x 2



D Wire Connector
x 3



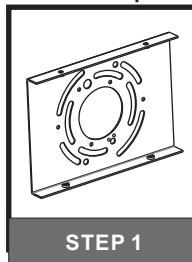
E Shade (Varies according to style purchased)
x 4



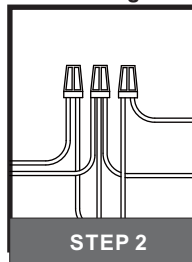
F Fixture Body
x 1

Table of Contents

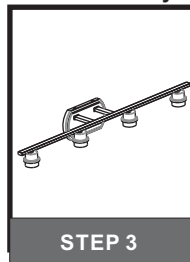
Inner Backplate



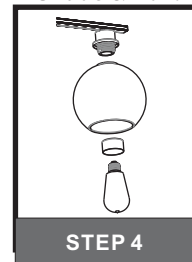
Wiring



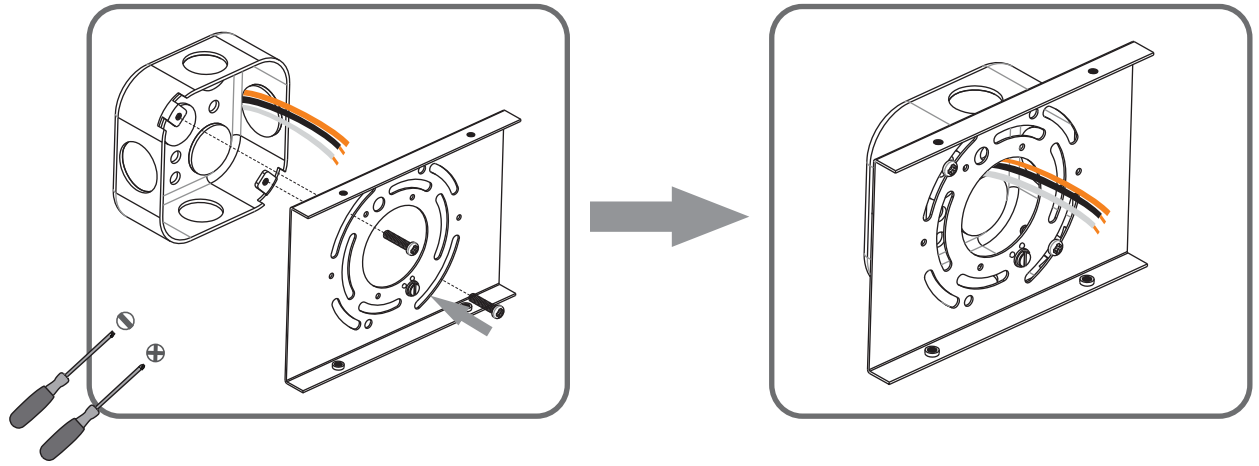
Fixture Body



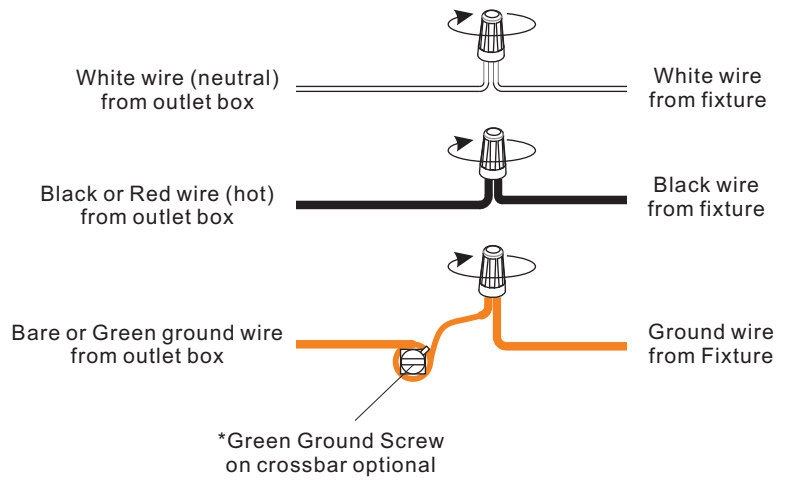
Shade & Bulb



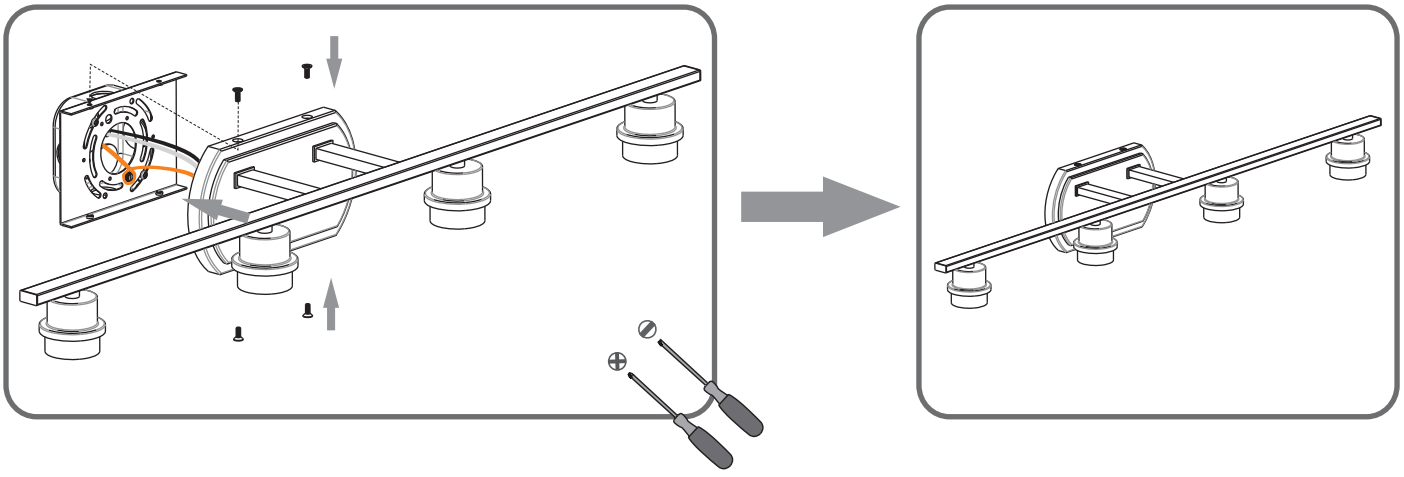
STEP 1



STEP 2

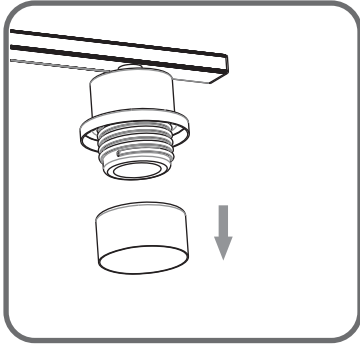


STEP 3



STEP 4

1



2

Note: Shade shape is for illustration purpose only. Your shade shape may vary from illustration.

