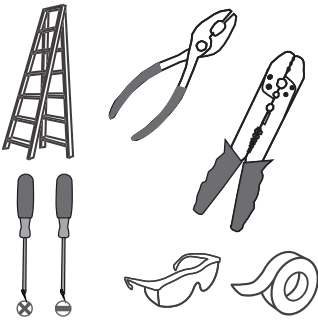
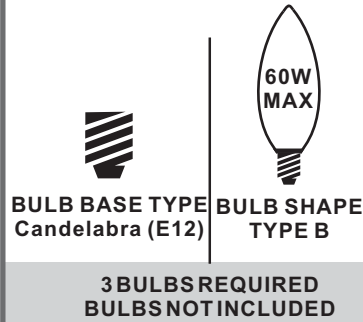


Tools Required



Light Source



⚠ Warnings and Cautions

Turn off the electricity at the circuit breaker before installation. Consult a licensed electrician if in doubt about installation.

Turn off power to the fixture and allow the bulbs to cool before replacing.

Package Contents

Preparation: Identify and inspect all parts before beginning the installation.

Missing or damaged parts? Contact your original place of purchase.

PARTS BAG

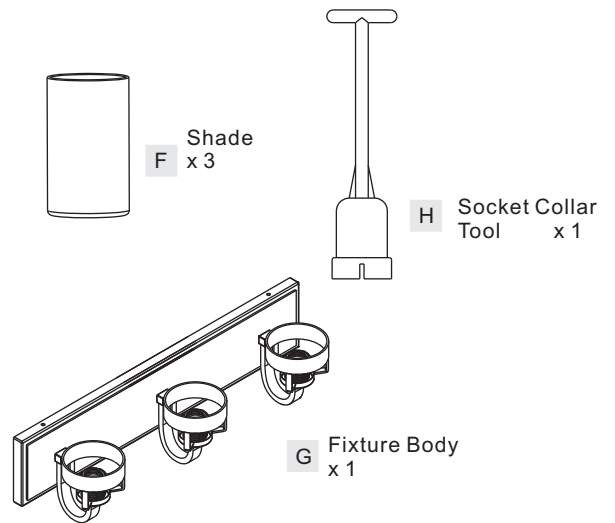
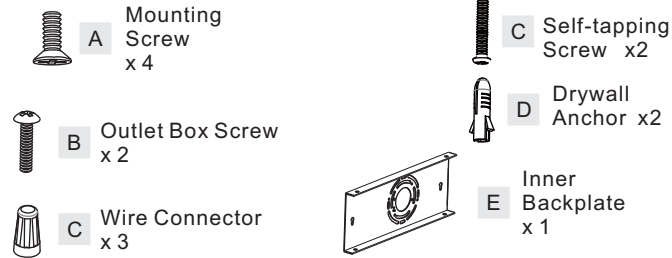
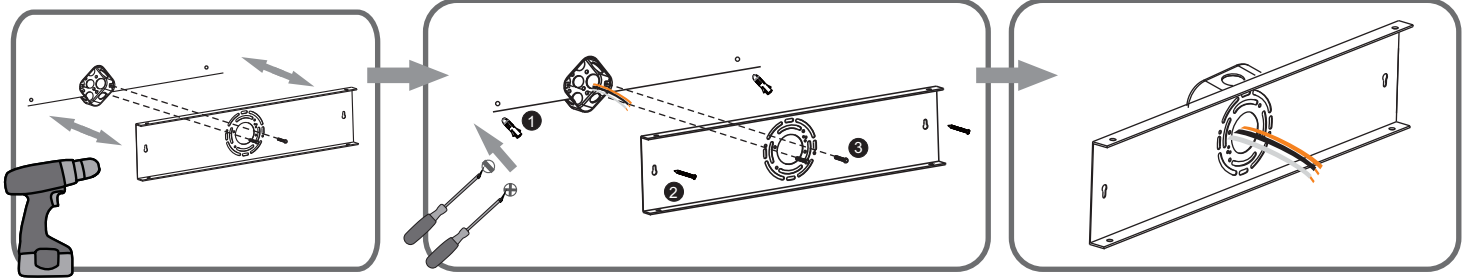


Table of Contents

Inner Backplate	Wiring	Fixture Body	Shade & Bulb
STEP 1	STEP 2	STEP 3	STEP 4

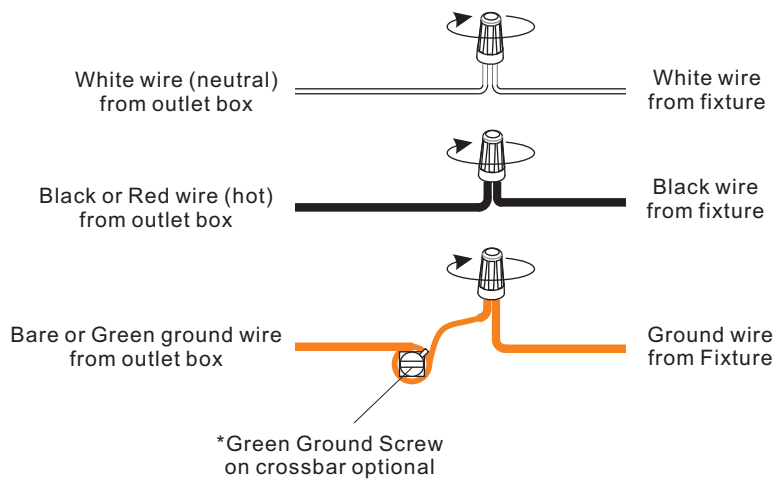
STEP 1



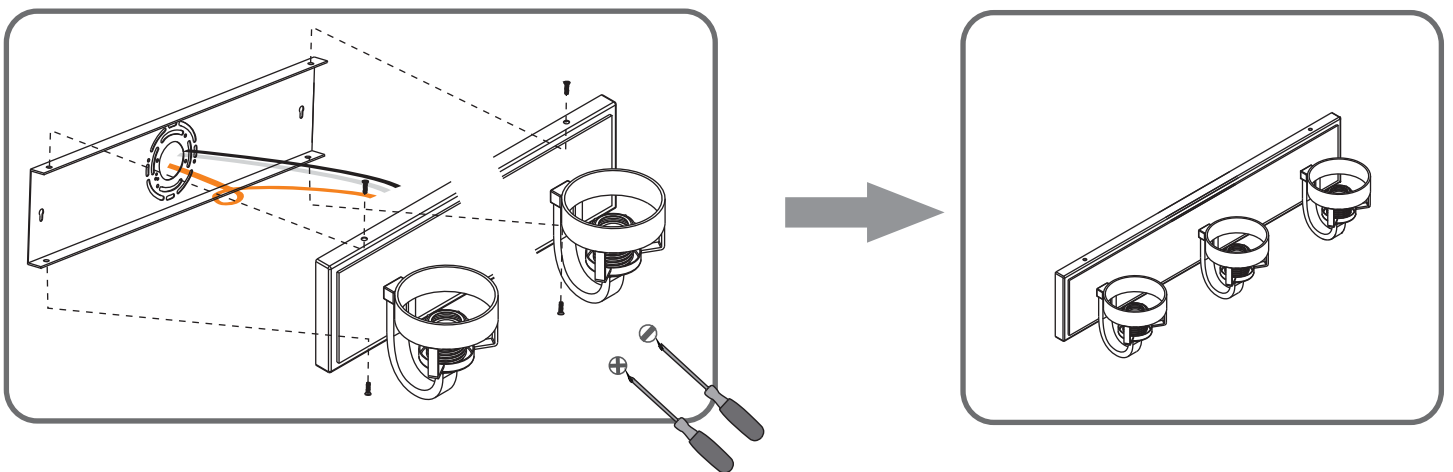
Using a pencil (not included), mark the locations on the wall that correspond with the holes on inner backplate. Using a 5/16-inch drill bit (not included), drill pilot holes at marked locations.

For drywall installations, insert wall anchors into the holes. Otherwise, secure crossbar assembly using self-tapping screws. Then, fully tighten the outlet box screws. **CAUTION:** Do not overtighten the screws as damage to the bracket could occur.

STEP 2



STEP 3



STEP 4

1

2

