

Please go to [www.quirrel.com](http://www.quirrel.com) for product cleaning tips. Go to the **Care + Maintenance** selection.

**Tools Required:** Flathead screwdriver, Phillips screwdriver, pliers, wire cutters, wire strippers, electrical tape, safety glasses.

**Light Source:** (3) Medium Base Decorative Filament 60W bulb (provided), Maximum 100W, Alternate bulb (3) 23W CFL Maximum.

**Estimated Assembly Time:** 30-45 minutes

**Preparation:** Identify and inspect all parts before beginning installation. Check package content list and diagrams below to be sure all parts are present. If any parts are missing or damaged, do not attempt to assemble, install, or operate the fixture. Contact customer service for replacement parts.

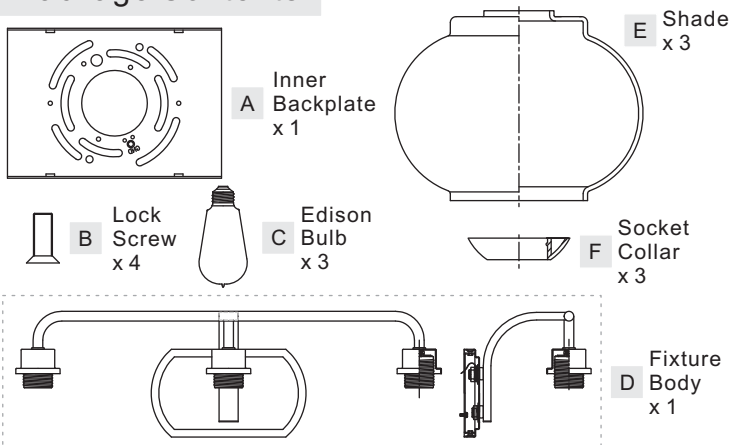
### ⚠ Warnings and Cautions

Turn off electricity at circuit breaker or main fuse box before installation. Consult a licensed electrician if in doubt.

These instructions are provided for your safety. It is very important you read them completely before installing the fixture. We strongly recommend that a licensed, professional electrician perform the installation.

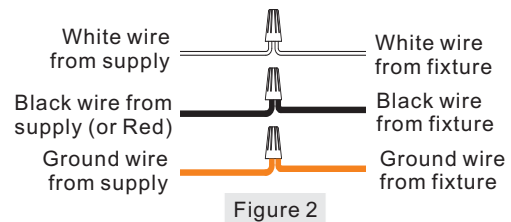
Disconnect fixture from power source before replacing bulbs. Make sure bulbs are given sufficient time to cool before removal. Do not subject glass parts to any shock while in operation or shattering may result.

### Package Contents



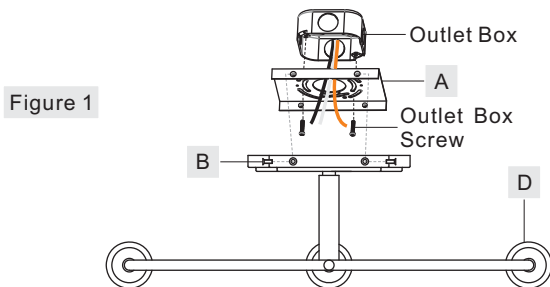
### STEP 2 - Wire Connections

A. Use standard wire connectors (not included) to make all wire connections. (Connectors are not included with fixture.) Twist connectors until wires are tightly joined together. Wrap each connection with approved electrical tape and carefully stuff all the connected wires between Inner Backplate (A) and Fixture Body (D).



### STEP 1 - Install Inner Backplate and Fixture Body

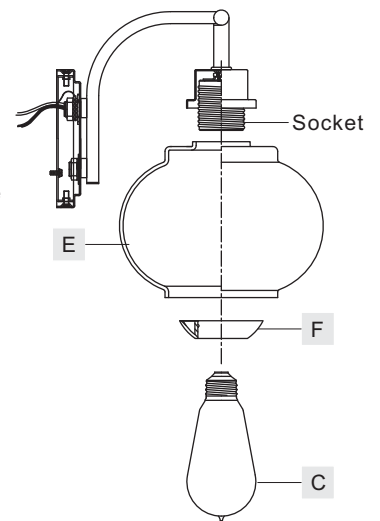
- Pass the supply wires through Inner Backplate (A). Attach Inner Backplate (A) to Outlet Box with the head of Green Ground Screw facing you. Secure it with Outlet Box Screws (not included). Tighten until snug.
- Refer to Step 2 for wiring connections.
- Attach Fixture Body (D) over Inner Backplate (A) and secure with Lock Screws (B). Tighten until snug with screwdrivers.



### STEP 3 - Install Shades and Bulbs

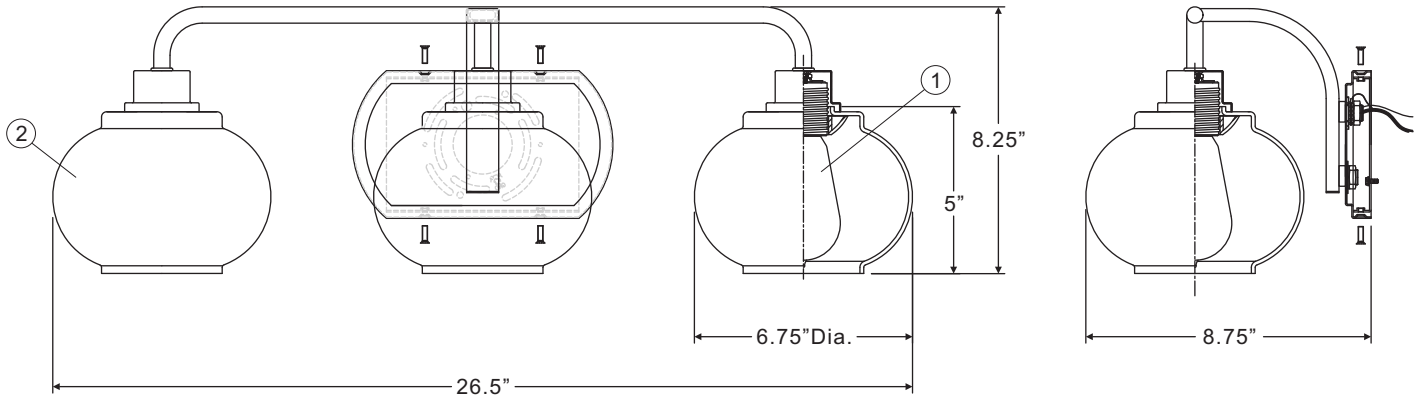
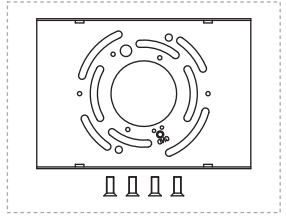
- Place Shade (E) over the Socket, secure by threading Socket Collar (F) onto the Socket. Hand tighten until snug.
- This fixture uses Medium Base Decorative Filament 60W bulb (C), Maximum 100W. Insert bulb and screw snugly into place.

Your fixture is now assembled and ready to use. Enjoy!



UQL3412

FINISH: BLACK BRONZE



(3) Medium Base  
Decorative  
Filament 60W  
bulbs (provided),  
Maximum 100W.

NOTE: ALL DIMENSIONS ARE ROUNDED UP TO THE NEAREST 1/4"