

Installation Instructions

UQL3392

urban ambiance

Tools Required: Flathead screwdriver, Phillips screwdriver, pliers, wire cutters, wire strippers, electrical tape, safety glasses.

Bulb Recommended: (1) Medium Base Decorative Filament 60W bulbs (provided), Maximum 100W, Alternate bulb (1) 23W CFL Maximum.

Estimated Assembly Time: 30-45 minutes

Preparation: Identify and inspect all parts before beginning installation. Check package content list and diagrams below to be sure all parts are present. If any parts are missing or damaged, do not attempt to assemble, install, or operate the fixture. Contact customer service for replacement parts.

Fixture can only be mounted in the direction indicated on page 2.

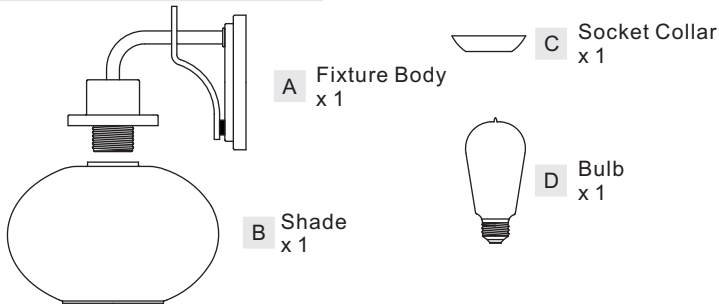
⚠ Warnings and Cautions

Turn off electricity at circuit breaker or main fuse box before installation. Consult a licensed electrician if in doubt.

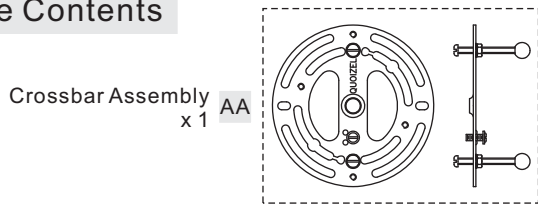
These instructions are provided for your safety. It is very important you read them completely before installing the fixture. We strongly recommend that a licensed, professional electrician perform the installation.

Disconnect fixture from power source before replacing bulbs. Make sure bulbs are given sufficient time to cool before removal. Do not subject glass parts to any shock while in operation or shattering may result.

Package Contents

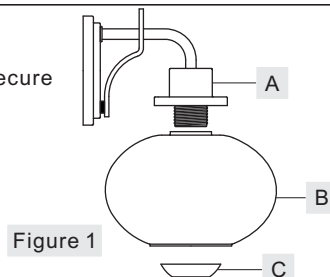


Hardware Contents



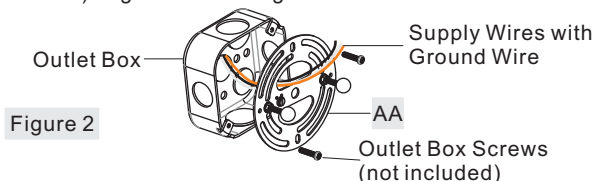
STEP 1 - Install Shade

- A. Place Shade (B) over the Socket, secure by threading Socket Collar (C) onto Socket. Hand tighten until snug.



STEP 2 - Install Inner Backplate

- A. Pass the supply wires through the Crossbar Assembly (AA). Attach the Crossbar Assembly (AA) to the Outlet Box with the head of the Green Ground Screw facing you. Secure it with Outlet Box Screws (not included). Tighten until snug.



STEP 3 - Fit Fixture Body to Crossbar Assembly

- A. Remove mounting balls from the Crossbar Assembly (AA). Fit the Fixture Body (A) Crossbar Assembly (AA) and secure with mounting balls. Note: The backplate of the Fixture Body (A) should be snug against the wall surface and the mounting balls. If not, adjust the length of the nipple on the Crossbar Assembly (AA) by unscrewing the preassembled hex nut and lock washer and then screwing the mounting screws in or out of the crossbar until the correct length is achieved. Once the backplate of the Fixture Body (A) is secure, remove the mounting ball and Fixture Body (A) and proceed to Step 4.

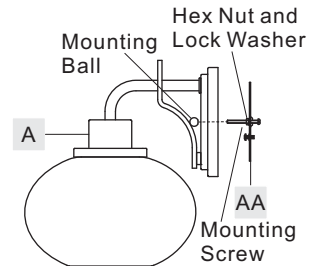


Figure 3

STEP 4 - Wire Connections

- A. Use standard wire connectors (not included) to make all wire connections. (Connectors are not included with fixture.) Strip and prepare wire ends according to instructions supplied with connectors.
 B. Connect White Supply Wire from the Outlet Box to Ribbed side Wire from fixture.
 C. Connect Black (or Red) Supply Wire from the Outlet Box to Smooth side Wire from fixture.
 D. Connect Ground Wire from the Outlet Box to Ground Wire from fixture.
 E. Twist connectors until wires are tightly joined together.
 F. Wrap each connection with approved electrical tape and carefully stuff all the connected wires into the Outlet Box.

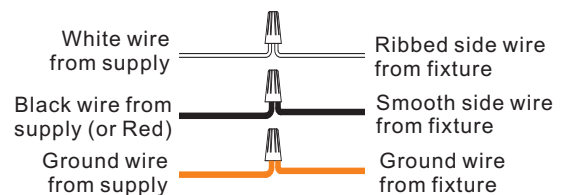


Figure 4

STEP 5 - Install Fixture Body

A. Carefully tuck all wires into the outlet box and position the backplate of Fixture Body (A) over the outlet box. Align the holes in the backplate with the mounting screws. Place caulk (not supplied) into the previously removed mounting balls and then attach Fixture Body (A) using the mounting balls. Hand tighten until snug.

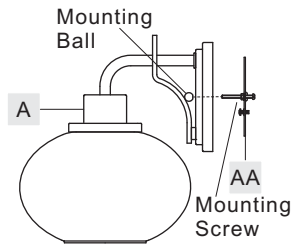


Figure 5

STEP 6 - Install Bulb

A. This fixture uses standard bulb 60W (supplied) with a standard screw base. Maximum 100 watts.
B. Insert bulb and screw properly into place. Your fixture is now assembled and ready to use. Enjoy!

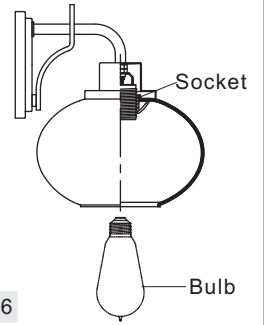
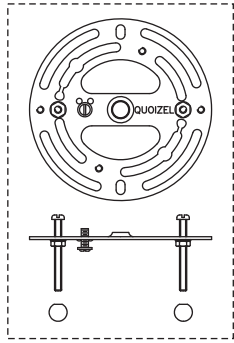


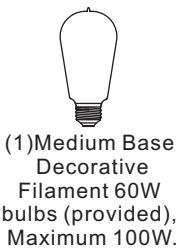
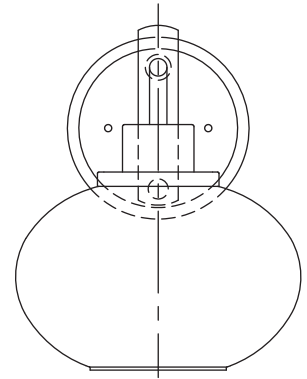
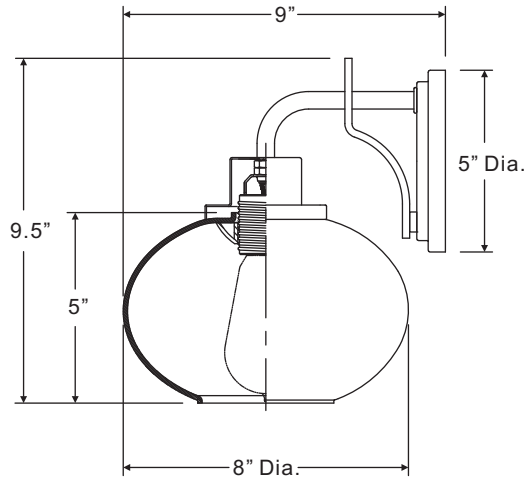
Figure 6

UQL3392

FINISH: BLACK BRONZE



Fixture can only be mounted in the direction indicated



NOTE: ALL DIMENSIONS ARE ROUNDED UP TO THE NEAREST 1/2"