

Please go to www.quirrel.com for product cleaning tips. Go to the **Care + Maintenance** selection.

Tools Required: Flathead screwdriver, Phillips screwdriver, pliers, wire cutters, wire strippers, electrical tape, safety glasses.

Light Source: (1) Medium Base Decorative Filament 60W bulb (provided), Maximum 100W, Alternate bulb (1) 23W CFL Maximum.

Estimated Assembly Time: 30-45 minutes

Preparation: Identify and inspect all parts before beginning installation. Check package content list and diagrams below to be sure all parts are present. If any parts are missing or damaged, do not attempt to assemble, install, or operate the fixture. Contact customer service for replacement parts.

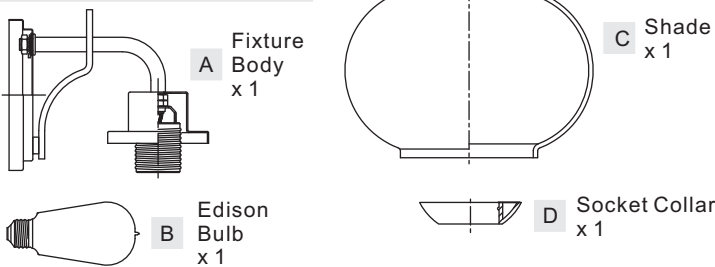
⚠ Warnings and Cautions

Turn off electricity at circuit breaker or main fuse box before installation. Consult a licensed electrician if in doubt.

These instructions are provided for your safety. It is very important you read them completely before installing the fixture. We strongly recommend that a licensed, professional electrician perform the installation.

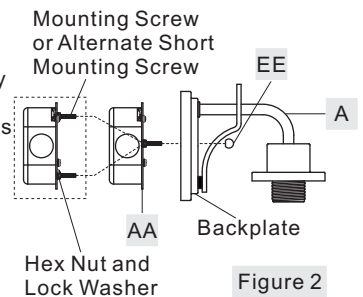
Disconnect fixture from power source before replacing bulbs. Make sure bulbs are given sufficient time to cool before removal. Do not subject glass parts to any shock while in operation or shattering may result.

Package Contents

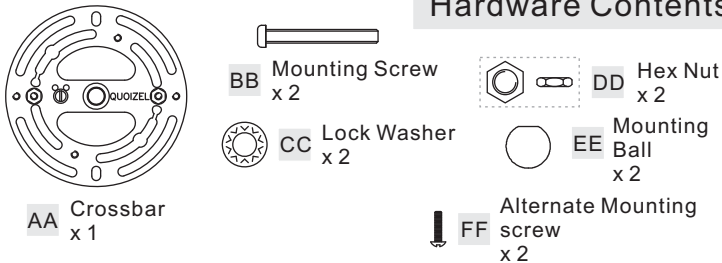


STEP 2 – Fit Backplate to Mounting Screws

A. Fit the backplate on Fixture Body (A) to Mounting Screws (BB) or Alternate Short Mounting Screws (FF) and secure with Mounting Balls (EE). Note: The backplate on Fixture Body (A) should be snug against the wall and the Mounting Balls (EE). If not, adjust the length of Mounting Screw (BB) or Alternate Short Mounting Screw (FF) by unscrewing Hex Nuts (DD) and Lock Washer (CC) and then screwing Mounting Screw (BB) or Alternate Short Mounting Screw (FF) in or out of the Crossbar (AA) until the correct length is achieved. Once the backplate on Fixture Body (A) is secure, remove Mounting Balls (EE) and Fixture Body (A) and proceed to Step 3.

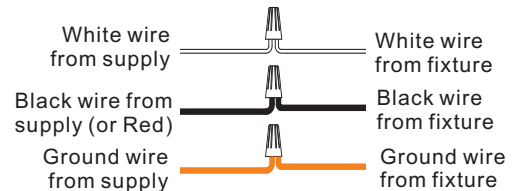


Hardware Contents



STEP 3 - Wire Connections

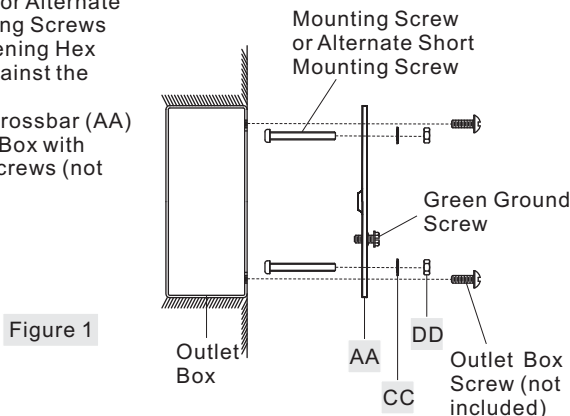
A. Use standard wire connectors (not included) to make all wire connections. (Connectors are not included with fixture.) Twist connectors until wires are tightly joined together. Wrap each connection with approved electrical tape and carefully stuff all the connected wires into the Outlet Box.



STEP 1 – Install Mounting Screws and Crossbar

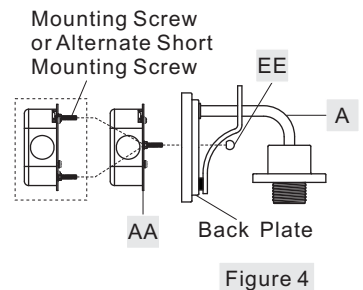
A. Screw Mounting Screws (BB) or Alternate Short Mounting Screws (FF) into the Crossbar (AA), place Lock Washers (CC) over Mounting Screws (BB) or Alternate Short Mounting Screws (FF) and thread Hex Nuts (DD) onto Mounting Screws (BB) or Alternate Short Mounting Screws (FF) as shown. Secure positions of Mounting Screws (BB) or Alternate Short Mounting Screws (FF) by tightening Hex Nuts (DD) against the Crossbar.

B. Secure the Crossbar (AA) to the Outlet Box with Outlet Box Screws (not included).



STEP 4 – Install Fixture Body

A. Carefully tuck all wires into the outlet box and position the backplate of Fixture Body (A) over the outlet box. Align the holes in the backplate with Mounting Screws (BB) or Alternate Short Mounting Screws (FF). Secure with Mounting Balls (EE) and hand tighten until snug.



STEP 5 - Install Shade

- A. Place Shade (C) over the Socket, secure by threading Socket Collar (D) onto Socket. Hand tighten until snug.
- B. This fixture uses Medium Base Decorative Filament 60W bulb (B), Maximum 100W. Insert bulb and screw snugly into place.

Your fixture is now assembled and ready to use. Enjoy!

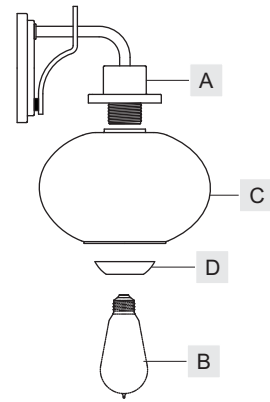
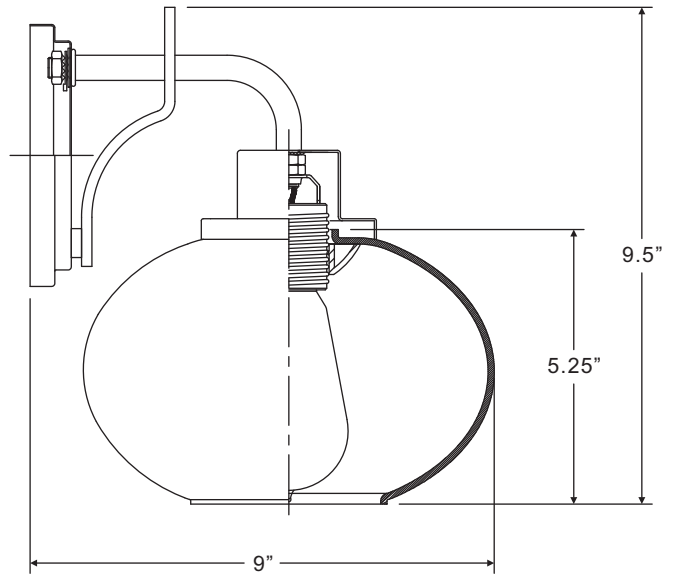
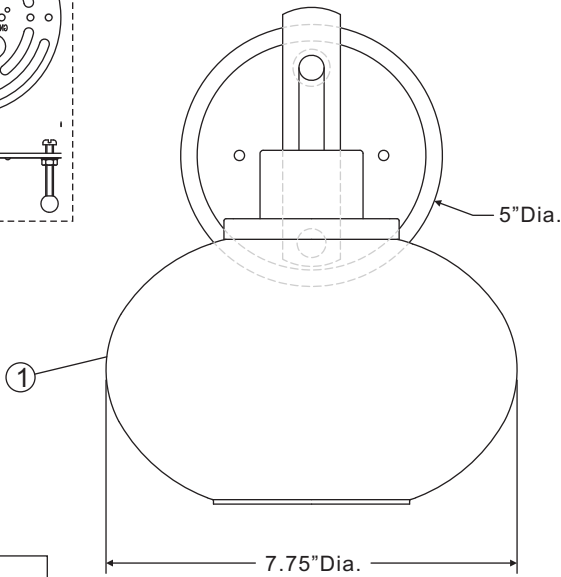
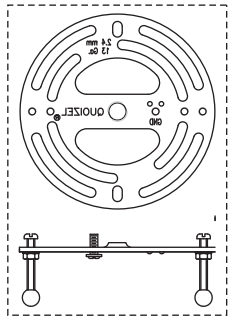


Figure 5

UQL3391

FINISH: BRUSHED NICKEL



NOTE: ALL DIMENSIONS ARE ROUNDED UP TO THE NEAREST 1/4"



(1) Medium Base Decorative Filament 60W bulbs (provided), Maximum 100W.