

Please go to www.quirzel.com for product cleaning tips. Go to the **Care + Maintenance** selection.

Tools Required: Flathead screwdriver, Phillips screwdriver, pliers, wire cutters, wire strippers, electrical tape, safety glasses.

Light Source: (1) Medium Base 60W Vintage Bulb (supplied), 100W Maximum.

Estimated Assembly Time: 30-45 minutes

Preparation: Identify and inspect all parts before beginning installation. Check package content list and diagrams below to be sure all parts are present. If any parts are missing or damaged, do not attempt to assemble, install, or operate the fixture. Contact customer service for replacement parts.

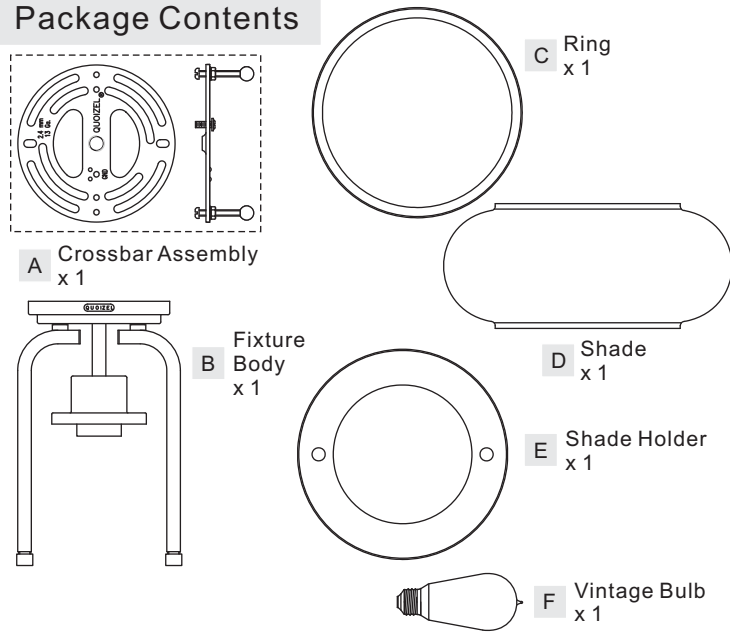
⚠ Warnings and Cautions

Turn off electricity at circuit breaker or main fuse box before installation. Consult a licensed electrician if in doubt.

These instructions are provided for your safety. It is very important you read them completely before installing the fixture. We strongly recommend that a licensed, professional electrician perform the installation.

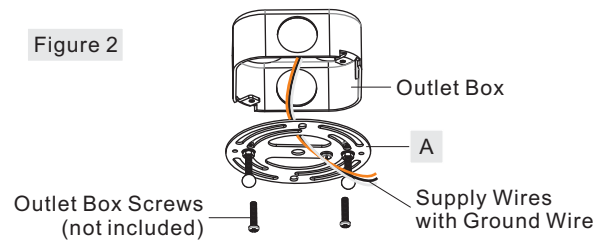
Disconnect fixture from power source before replacing bulbs. Make sure bulbs are given sufficient time to cool before removal.

Package Contents



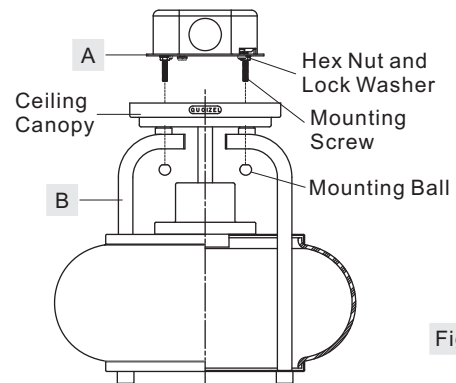
STEP 2 - Installing the Crossbar Assembly

A. Pass the supply wires through the Crossbar Assembly (A). Attach the Crossbar Assembly (A) to the Outlet Box with the head of the Green Ground Screw facing you. Secure the Crossbar Assembly (A) with Outlet Box Screws (not included). Tighten until snug.



STEP 3 - Test Fitting Ceiling Canopy to Crossbar Assembly

A. Remove mounting balls from the Crossbar Assembly (A). Fit the Ceiling Canopy and Fixture Body (B) to the Crossbar Assembly (A) and secure with mounting balls. Note: The Ceiling Canopy should be snug against the ceiling and the mounting balls. If not, adjust the length of the nipple on the Crossbar Assembly (A) by unscrewing the preassembled hex nut and lock washer and then screwing the mounting screws in or out of the crossbar until the correct length is achieved. Once the Ceiling Canopy and Fixture Body (B) is secure, remove the mounting ball and Fixture Body (B) and proceed to Step 4.



STEP 1 - Install the Shade

Two people are required for this step.

- Remove lock balls from bottom of the Fixture Body (B).
- Place the Ring (C) onto the top edge of the Shade (D). Place bottom edge of the Shade (D) into the Shade Holder (E).
- Lift the shade assembly up and pass the arms of the Fixture Body (B) through the Shade (D). Position the holes on the Shade Holder (E) to the arms on the Fixture Body (B). The second person is to secure the Shade Holder (E) by threading the lock balls onto the ends of the arms of the Fixture Body (B). Hand tighten until snug.

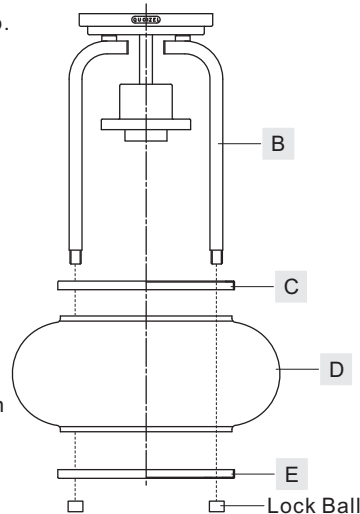


Figure 1

Figure 3

STEP 4 - Wire Connections

A. Use standard wire connectors (not included) to make all wire connections. Twist connectors until wires are tightly joined together. Wrap each connection with approved electrical tape and carefully stuff all the connected wires into the Outlet Box.

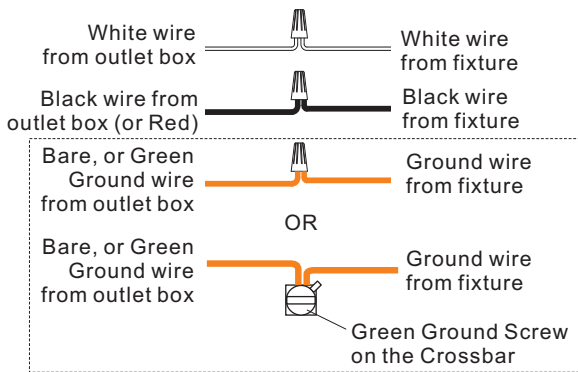


Figure 4

STEP 5 - Install the Fixture

A. Carefully tuck all wires into the outlet box and position the Ceiling Canopy and Fixture Body (B) over the outlet box. Align the holes in the Ceiling Canopy with the mounting screws, then attach the Ceiling Canopy and Fixture Body (B) using the previously removed mounting balls. Hand tighten until snug.

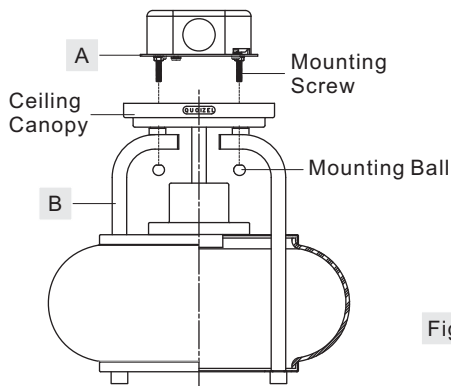


Figure 5

STEP 6 - Install the Bulb

A. Insert the bulb (F) onto the socket and screw snugly into place.

Your fixture is now assembled and ready to use. Enjoy!

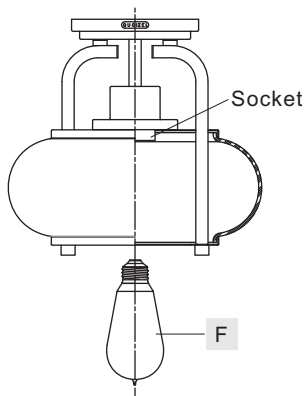
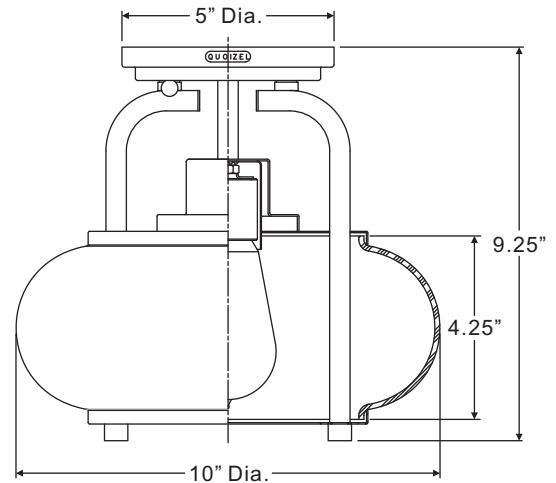
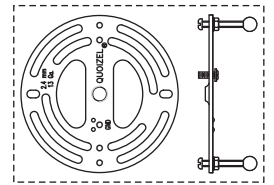


Figure 6

UQL3270

FINISH: BRUSHED NICKEL



NOTE: ALL DIMENSIONS ARE ROUNDED UP TO THE NEAREST 1/4"