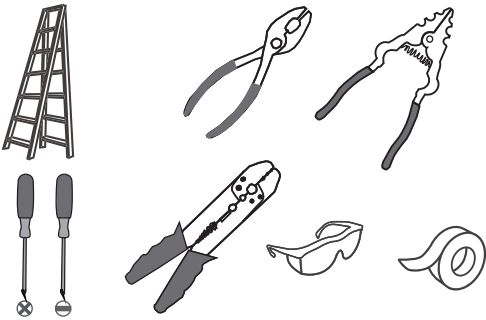
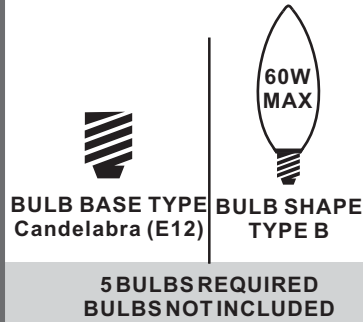


Tools Required



Light Source



Fixture Height Adjustable 25.5" to 121.5"

⚠ Warnings and Cautions

Turn off the electricity at the circuit breaker before installation. Consult a licensed electrician if in doubt about installation.

Turn off power to the fixture and allow the bulbs to cool before replacing.

Package Contents

Preparation: Identify and inspect all parts before beginning the installation.

Missing or damaged parts? Contact your original place of purchase.

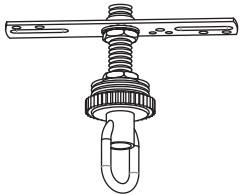


G Shade x 5



H Fixture Loop x 1

PARTS BAG



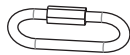
A Crossbar Assembly x 1



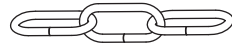
B Outlet Box Screw x 2



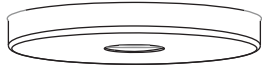
C Wire Connector x 3



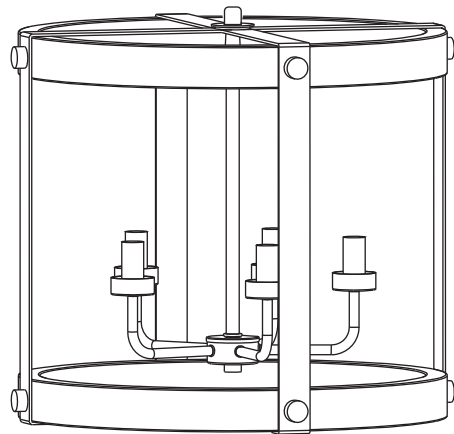
D Quick Link x 2



E Fixture Chain x 1



F Ceiling Canopy x 1



I Fixture Body x 1

Table of Contents

Fixture Loop



STEP 1

Crossbar Assembly



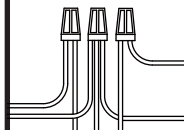
STEP 2

Fixture Chain



STEP 3

Wiring



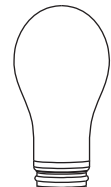
STEP 4

Ceiling Canopy



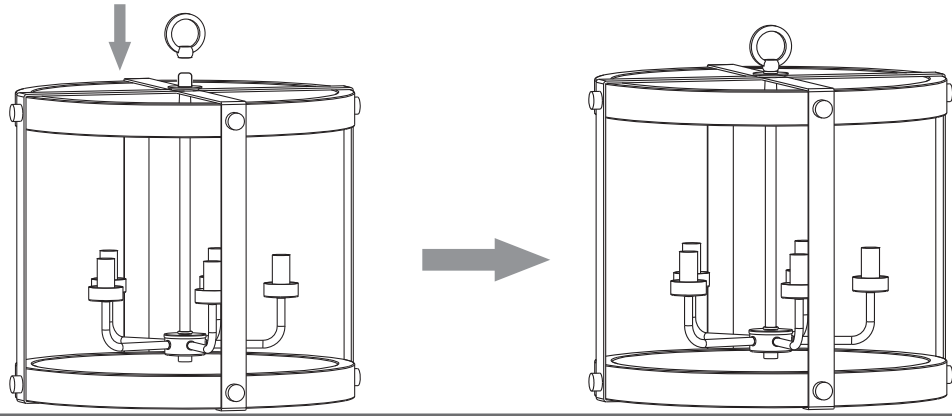
STEP 5

Shade and Bulb



STEP 6

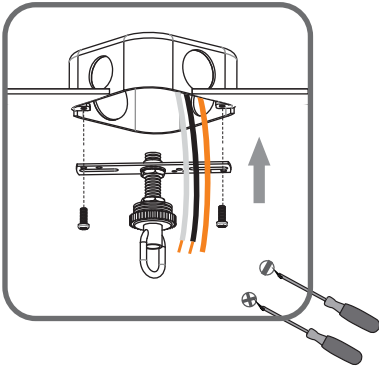
STEP 1



STEP 2

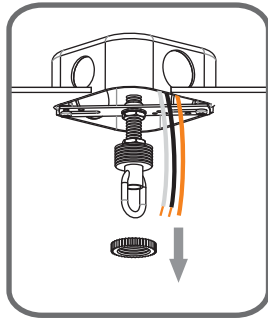
1

Step 1
Install crossbar assembly

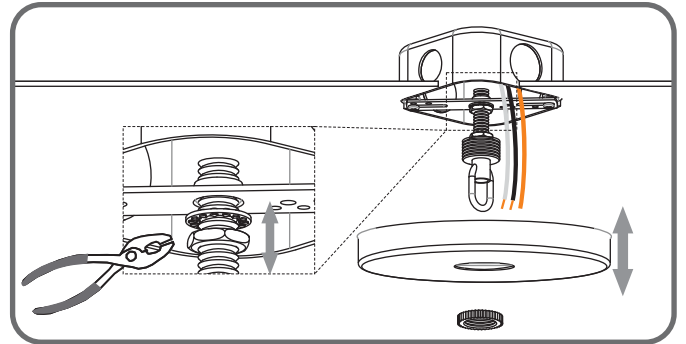


2

Step 2 - 3
Test fitting ceiling canopy to nipple



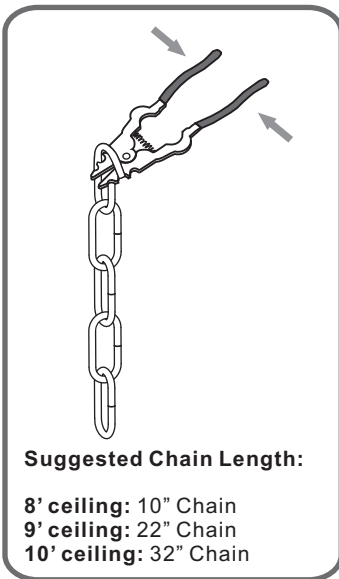
3



STEP 3

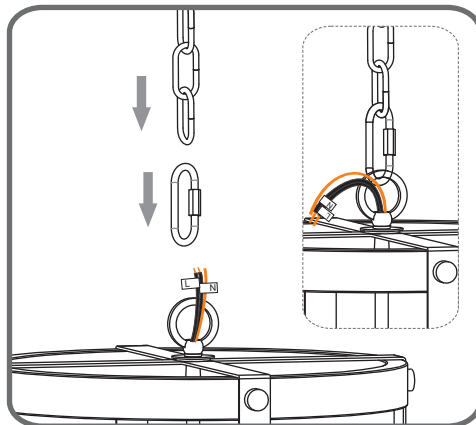
1

Step 1
Adjust fixture chain length

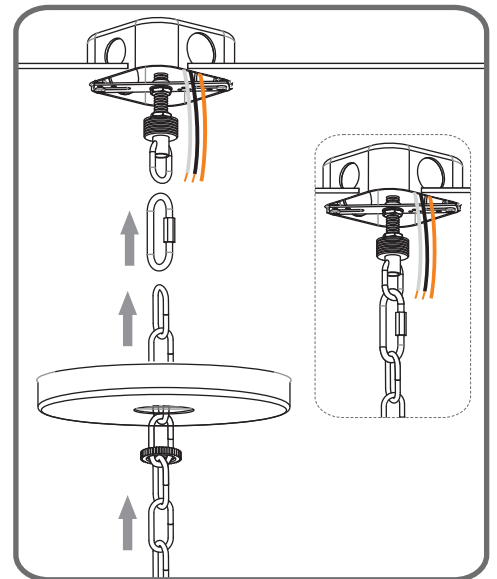


2

Step 2 - 3
Install Fixture Chain



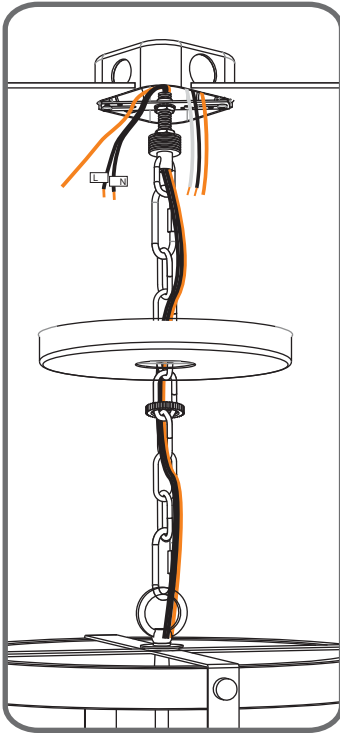
3



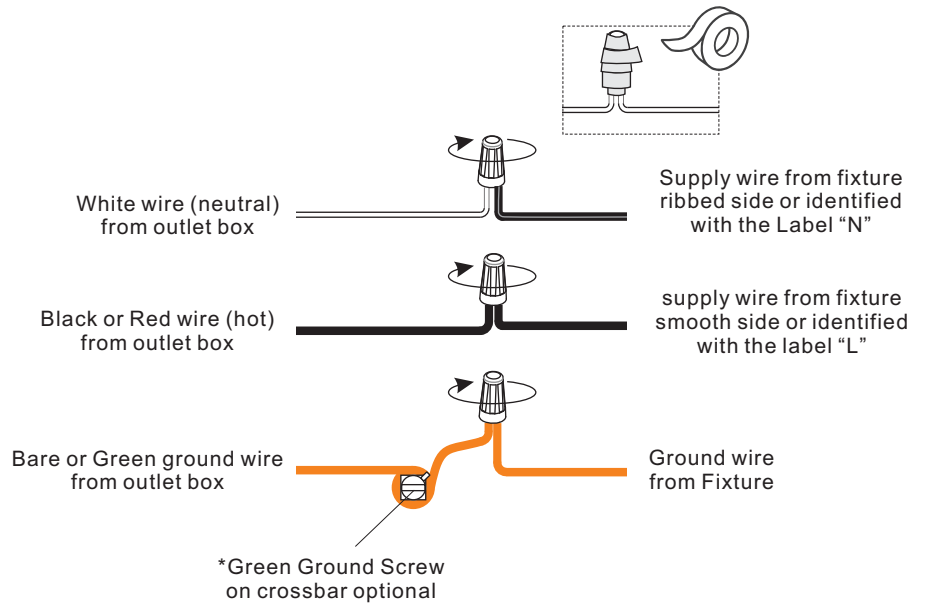
STEP 4

1

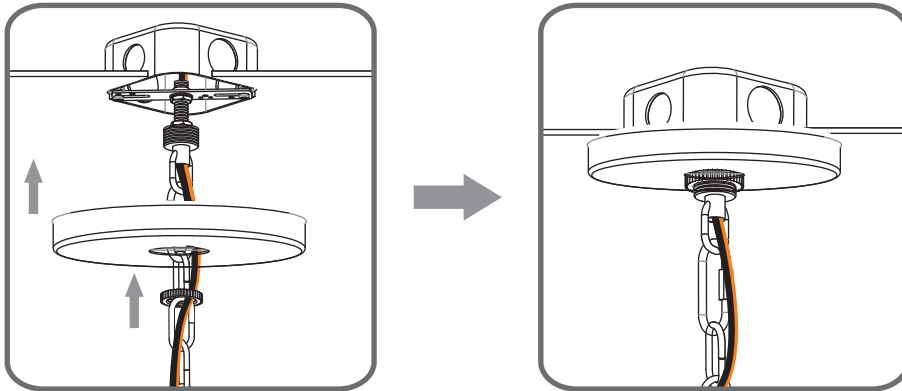
Step 1
Feed the fixture wires
through the loop



2



STEP 5



STEP 6

