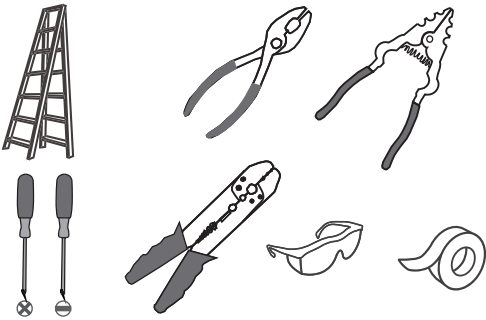
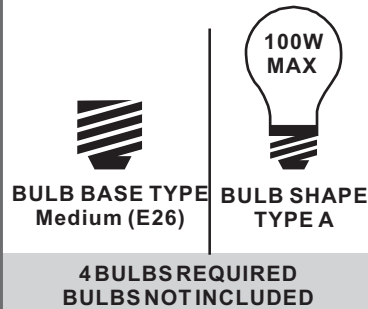


Tools Required



Light Source



Fixture Height Adjustable 26" to 74"

⚠ Warnings and Cautions

Turn off the electricity at the circuit breaker before installation. Consult a licensed electrician if in doubt about installation.

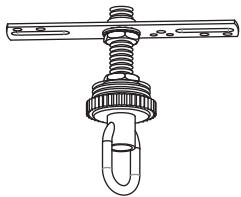
Turn off power to the fixture and allow the bulbs to cool before replacing.

Package Contents

Preparation: Identify and inspect all parts before beginning the installation.

Missing or damaged parts? Contact your original place of purchase.

PARTS BAG



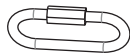
A Crossbar Assembly
x 1



B Outlet Box Screw
x 2



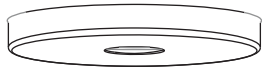
C Wire Connector
x 3



D Quick Link
x 2



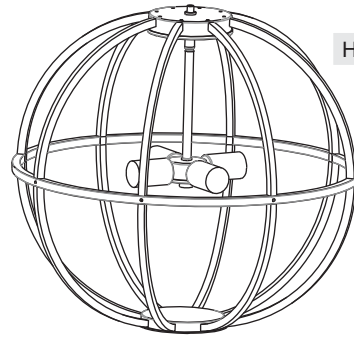
E Fixture Chain
x 1



F Ceiling Canopy
x 1



G Fixture Loop
x 1



H Fixture Body
x 1



I Glass
x 8



J Lock Screw
x 16



K Rubber Washer
x 20

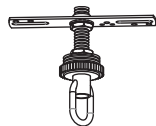
Table of Contents

Fixture Loop



STEP 1

Crossbar Assembly



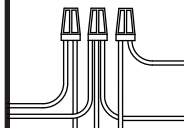
STEP 2

Fixture Chain



STEP 3

Wiring



STEP 4

Ceiling Canopy



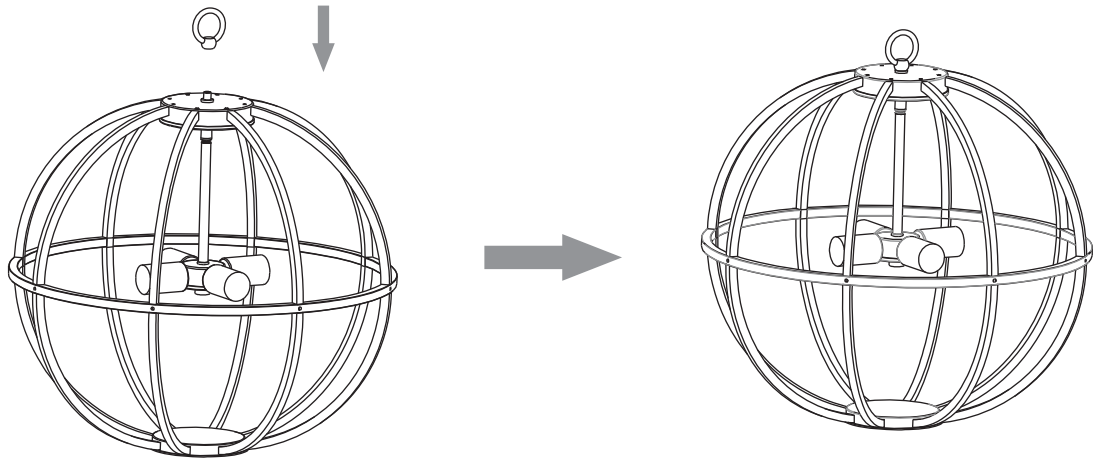
STEP 5

Glass and Bulb



STEP 6

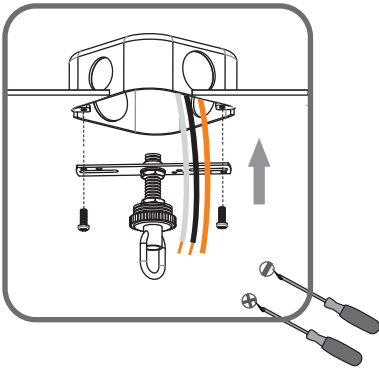
STEP 1



STEP 2

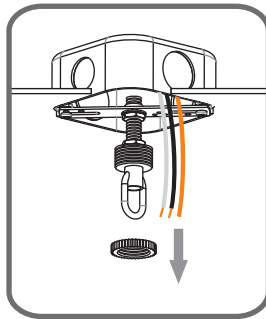
1

Step 1
Install crossbar assembly

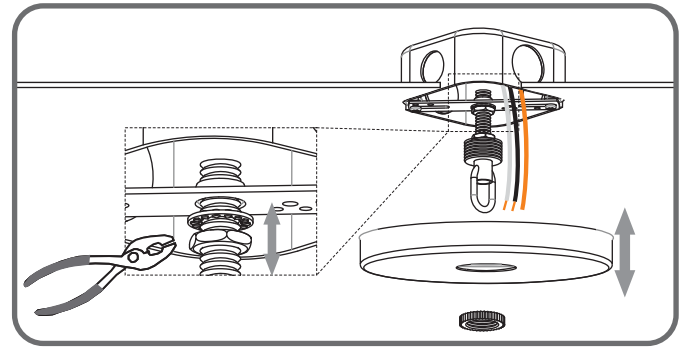


2

Step 2 - 3
Test fitting ceiling canopy to nipple



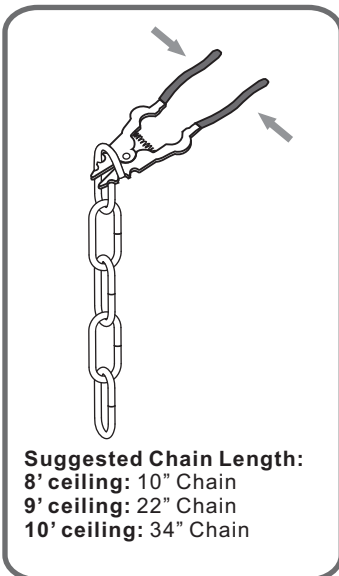
3



STEP 3

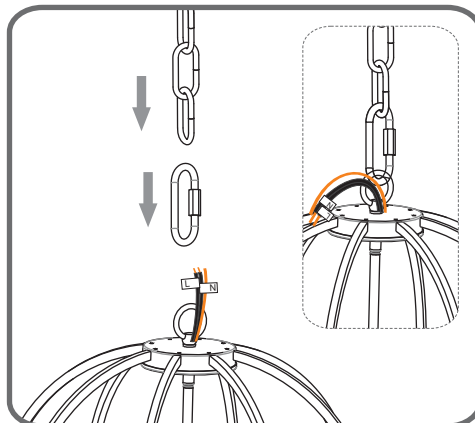
1

Step 1
Adjust fixture chain length

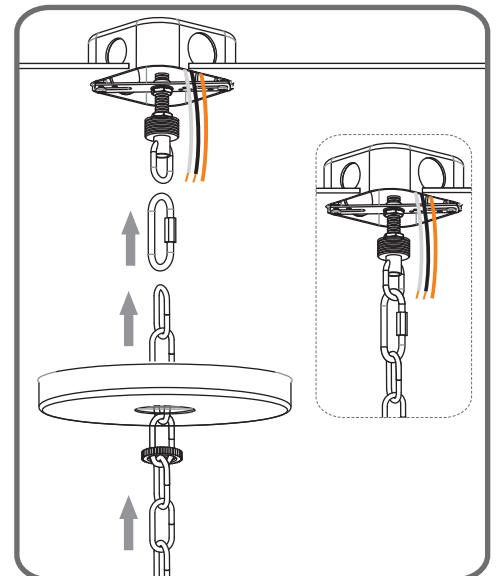


2

Step 2 - 3
Install Fixture Chain



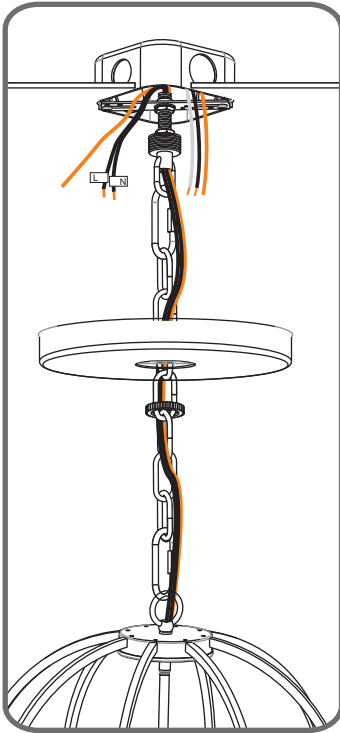
3



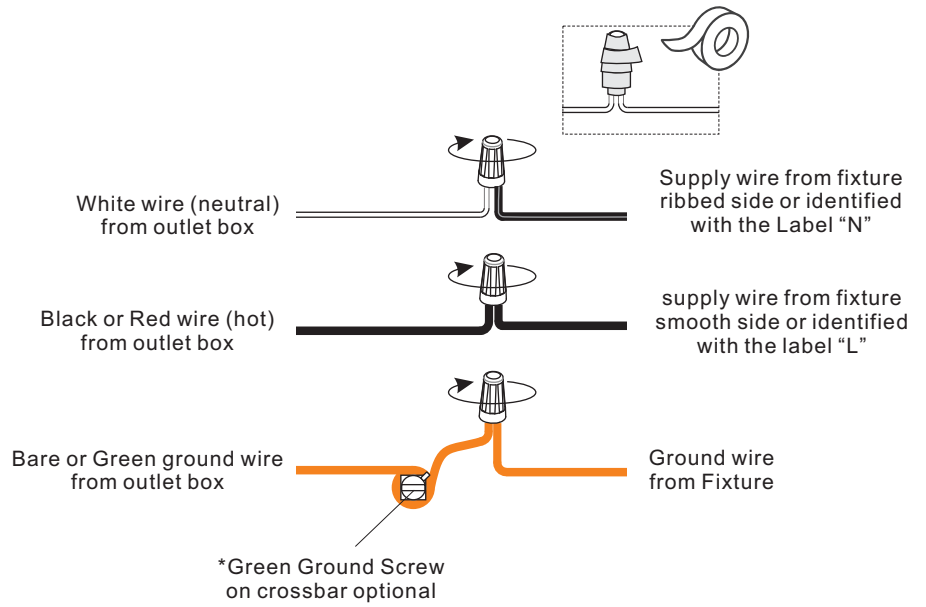
STEP 4

1

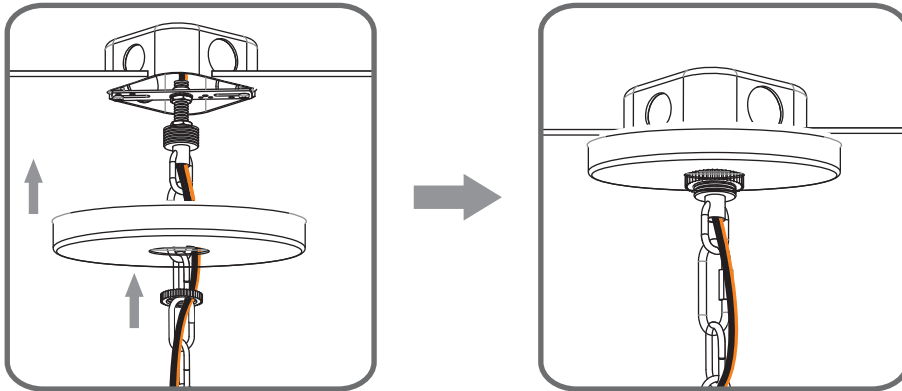
Step 1
Feed the fixture wires
through the loop



2



STEP 5



STEP 6

