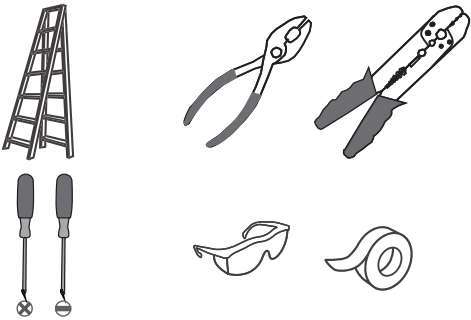
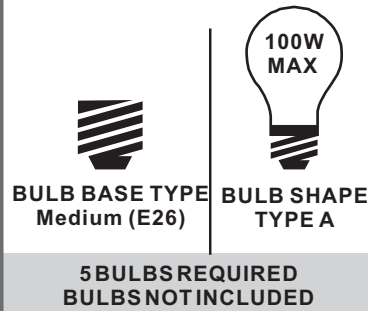


Tools Required



Light Source



Fixture Height Adjustable 14.25" to 50"

⚠ Warnings and Cautions

Turn off the electricity at the circuit breaker before installation. Consult a licensed electrician if in doubt about installation.

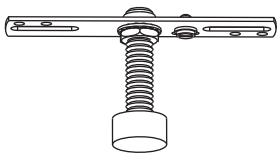
Turn off power to the fixture and allow the bulbs to cool before replacing.

Package Contents

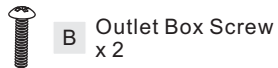
Preparation: Identify and inspect all parts before beginning the installation.

Missing or damaged parts? Contact your original place of purchase.

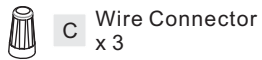
PARTS BAG



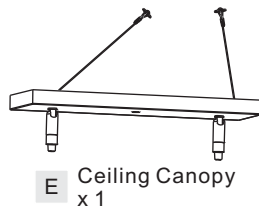
A Crossbar Assembly
x 1



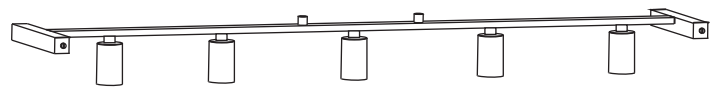
B Outlet Box Screw
x 2



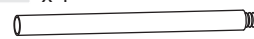
C Wire Connector
x 3



E Ceiling Canopy
x 1



F Fixture Body
x 1



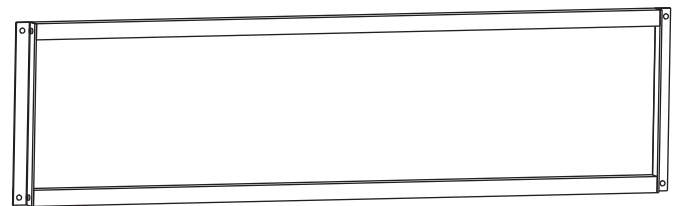
G 6" L Rod
x 4



H 12" L Rod
x 4



I Frame
x 2



J Stem
x 2



K Lock Screw
x 8

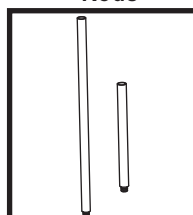
Table of Contents

Fixture Body



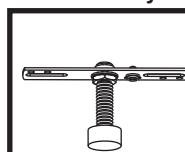
STEP 1

Rods



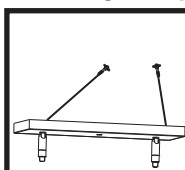
STEP 2

Crossbar Assembly



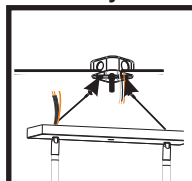
STEP 3

Ceiling Canopy



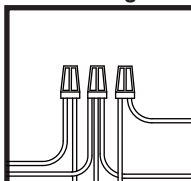
STEP 4

Lanyard



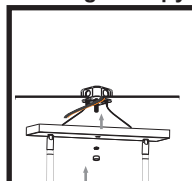
STEP 5

Wiring



STEP 6

Ceiling Canopy



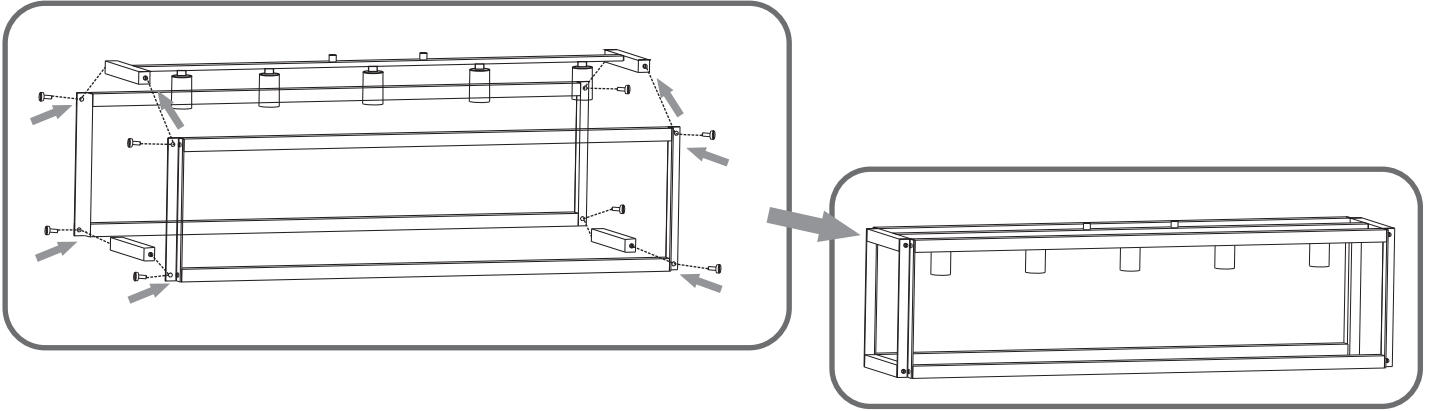
STEP 7

Bulb



STEP 8

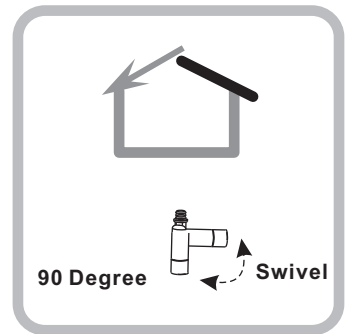
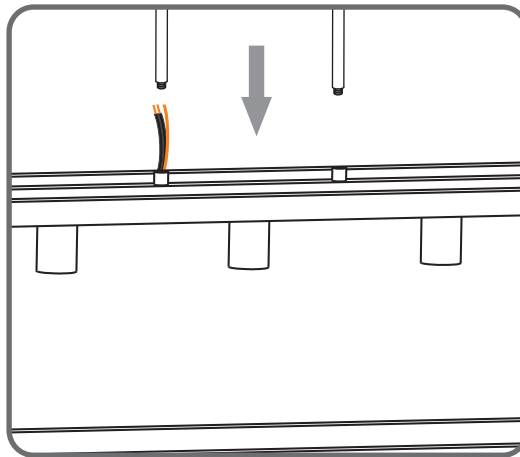
STEP 1



STEP 2

Optional Rods

- 8' ceiling:**
(2) 6"L + (2) 12"L rods
- 9' ceiling:**
(2) 6"L + (4) 12"L rods
- 10' ceiling:**
(4) 6"L + (4) 12"L rods

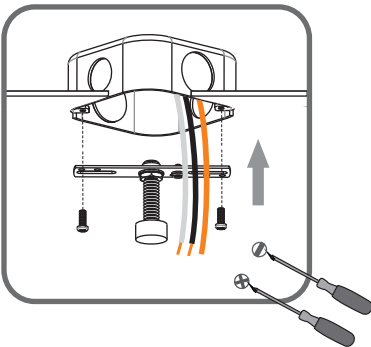


For angled ceilings,
Swivel opening towards wall.

STEP 3

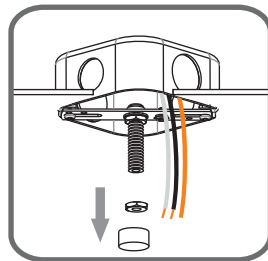
1

Step 1
Install crossbar assembly

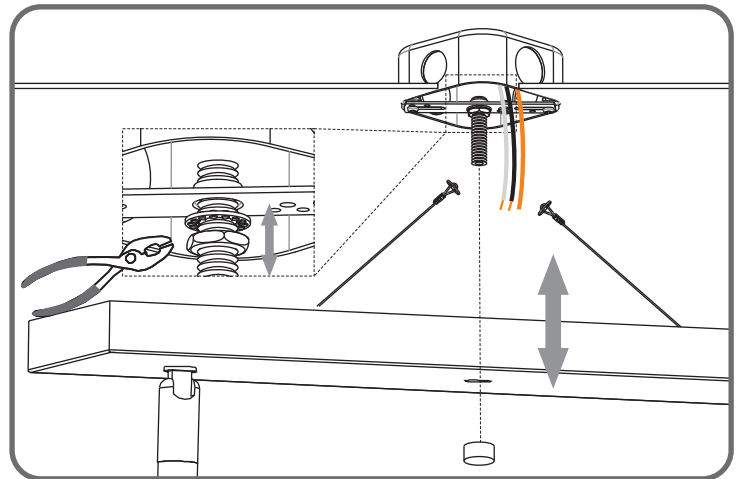


2

Step 2 - 3
Test fitting ceiling canopy to nipple

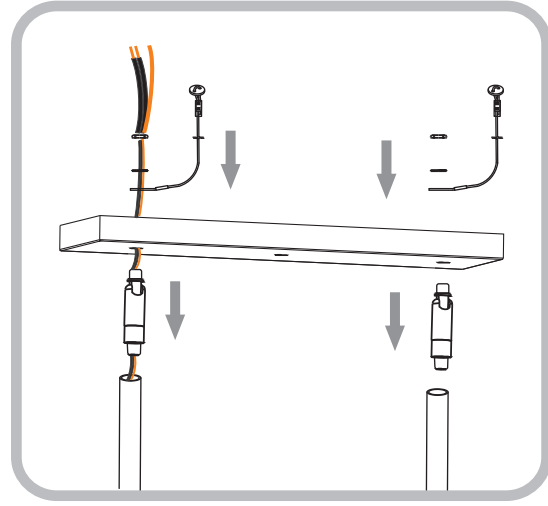
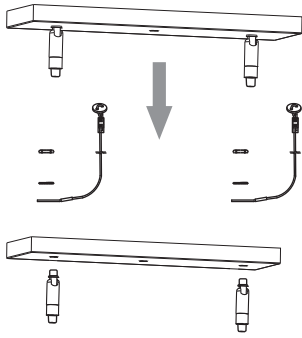


3

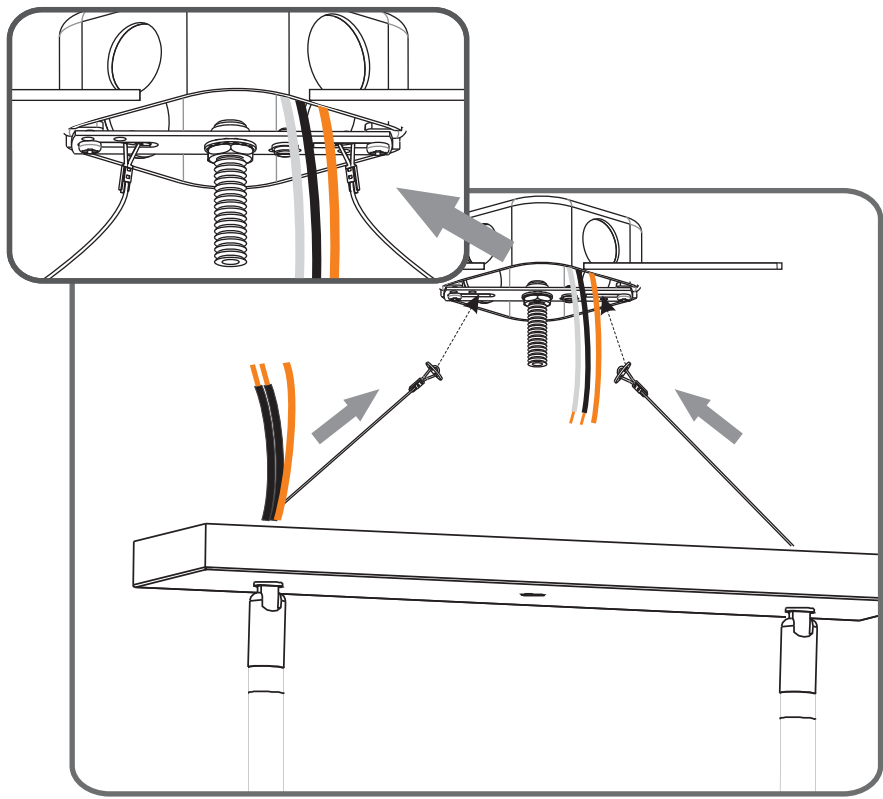


STEP 4

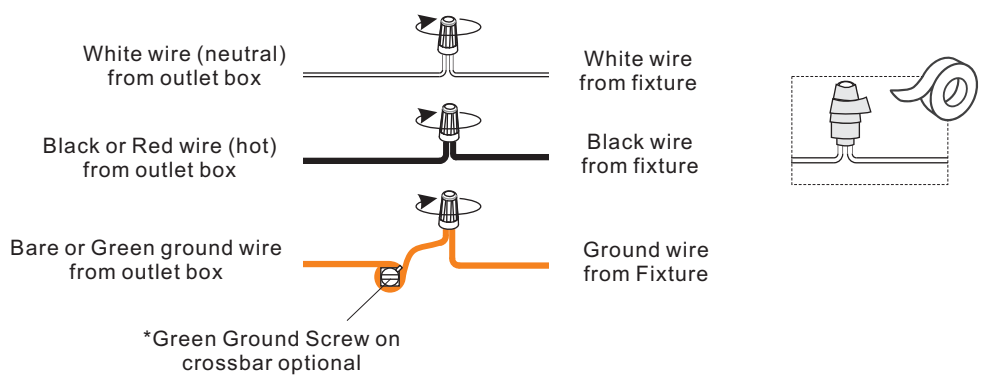
Unlock hex nuts inside of the ceiling canopy to separate swivels from the ceiling canopy.



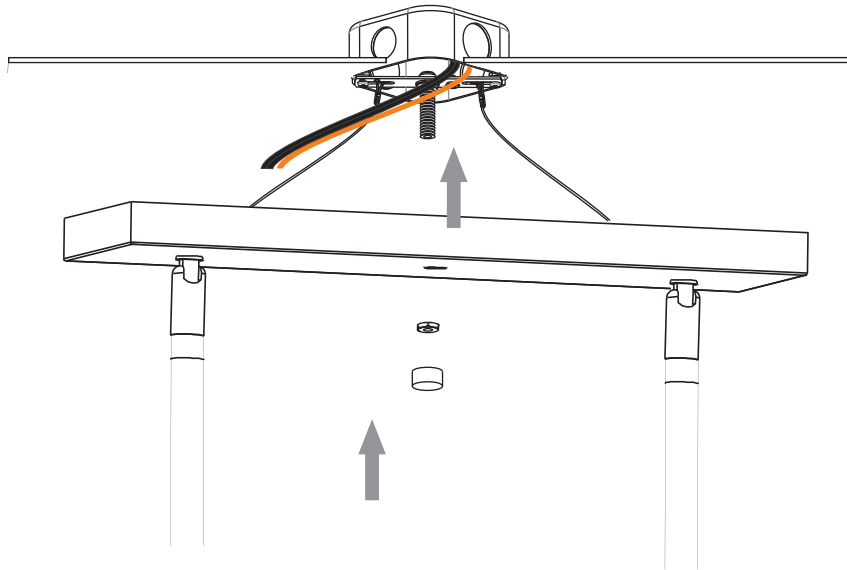
STEP 5



STEP 6



STEP 7



STEP 8

