

Tools Required: Flathead screwdriver, Phillips screwdriver, pliers, wire cutters, wire strippers, electrical tape, safety glasses.

Light Source: (6) Candelabra Base Bulbs 60W Maximum

Estimated Assembly Time: 30-45 minutes

Preparation: Identify and inspect all parts before beginning installation. Check package content list and diagrams below to be sure all parts are present. If any parts are missing or damaged, do not attempt to assemble, install, or operate the fixture. Contact customer service for replacement parts.

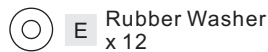
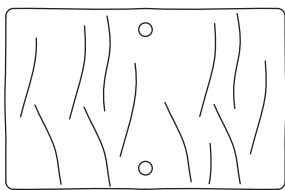
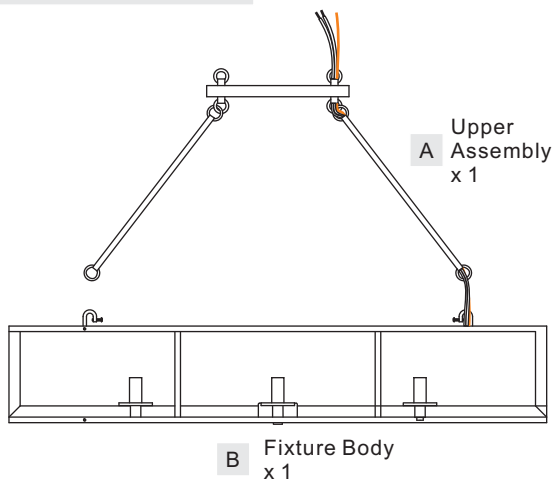
⚠ Warnings and Cautions

Turn off electricity at circuit breaker or main fuse box before installation. Consult a licensed electrician if in doubt.

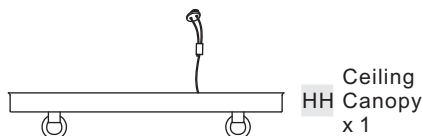
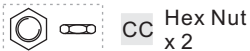
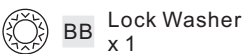
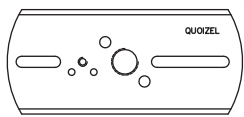
These instructions are provided for your safety. It is very important you read them completely before installing the fixture. We strongly recommend that a licensed, professional electrician perform the installation.

Disconnect fixture from power source before replacing bulbs. Make sure bulbs are given sufficient time to cool before removal.

Package Contents



Hardware Contents



STEP 1 – Install the Crossbar to the junction box

A. Attach the Crossbar (AA) to the Outlet Box with the head of the Green Ground Screw facing you. Secure it with Outlet Box Screws (not included), tighten until snug.

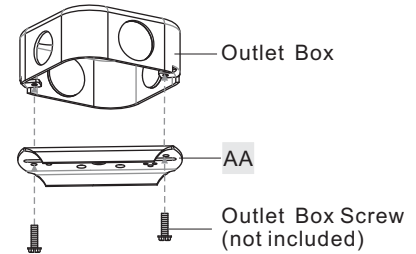


Figure 1

STEP 2 – Install Nipple to Crossbar

- Thread one Hex Nut (CC) to the middle of the Nipple (DD). Place the Lock Washer (BB) over the Nipple (DD) and then thread the Nipple (DD) into the Crossbar (AA) until the Nipple (DD) is about 0.375" above the Crossbar (AA).
- Place the Ceiling Canopy (HH) over the Nipple (DD) against the ceiling to determine the correct position of the Nipple (DD). Thread the Lock Ball (EE) onto the Nipple (DD). Adjust the Nipple (DD) to allow the Ceiling Canopy (HH) to rest against the ceiling when held in place by the Lock Ball (EE).
- Remove the Ceiling Canopy (HH) and then tighten the Hex Nut (CC) against the Crossbar (AA) to secure in place.

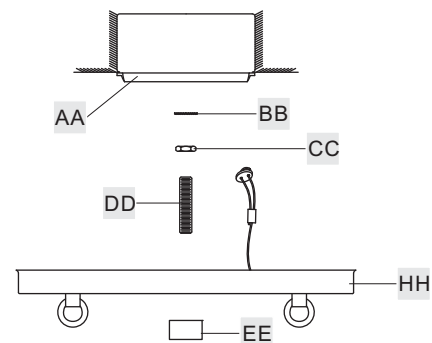


Figure 2

STEP 3 - Install Upper Assembly to Fixture Body

- A. Unlock the screw on the hook until there is enough space for the loop end of the side rod. Attach the end of the side rod to the hook on the top of the Fixture Body (B) and tight the screw on the hook to prevent the side rod slip out of the hook.

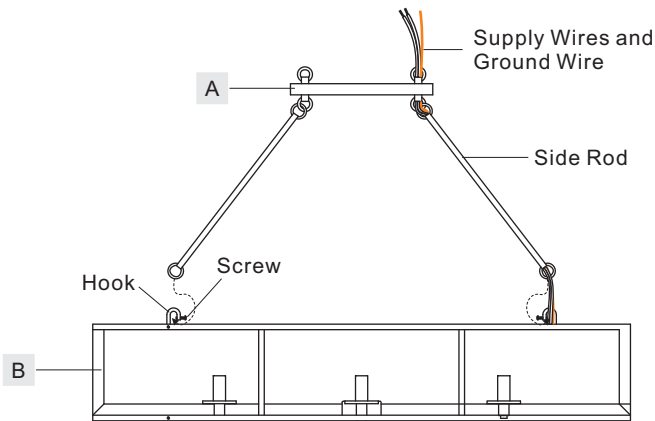


Figure 3

STEP 4 - Install Fixture Chains

- A. Adjust the Fixture Chain (FF) to your desired length by removing the links if needed.
- B. With the Fixture Chain (FF) not attached to the loops on the top of the Upper Assembly (A) and the ceiling loops underside of the Ceiling Canopy (HH), pull the supply wires and ground wire through the Fixture Chain (FF) alternating links. After the wires are through the Fixture Chain (FF), pull the Supply Wires and the Ground Wire through the Ceiling Canopy (HH).
- C. Attach one ends of the Fixture Chains (FF) to loops on top of the Upper Assembly (A) with two Quick Links (GG) as shown. Lift the fixture and Fixture Chains (FF) up and attach the other ends of the Fixture Chains (FF) onto ceiling loops underside of the Ceiling Canopy (HH) with the rest two Quick Links (GG).

Suggested rods and chain length for Ceiling height :

8' ceiling : use 7 links of chains and 4 quick links

9' ceiling : use 17 links of chains and 4 quick links

10' ceiling : use 27 links of chains and 4 quick links

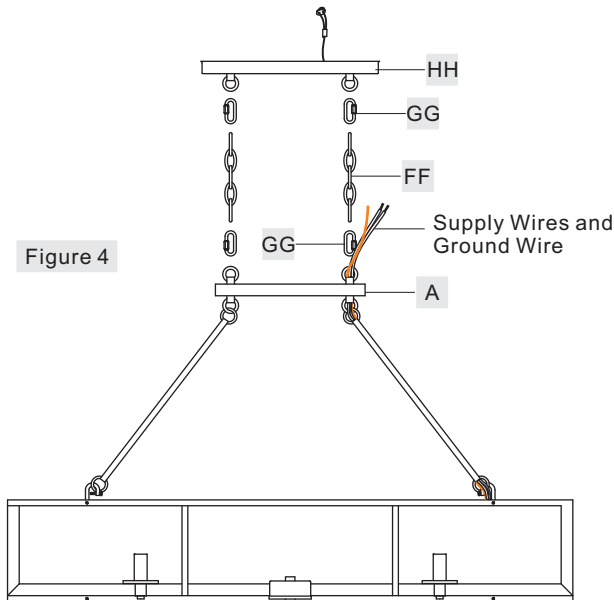


Figure 4

STEP 5 - Attach the Lanyard

- A. The purpose of the lanyard is to provide a means to support the fixture hands free from the junction box while connecting the electrical wires.
- B. Turn the Button Stop so it may be inserted into a Crossbar slot. Make sure the Button Stop is completely inside the Crossbar. Slowly release the fixture to make sure it is supported by the Button Stop. Proceed to the wiring steps in the next step. Once you are complete with the wiring, the Lanyard will push into the junction box when the fixture is placed for final mounting.

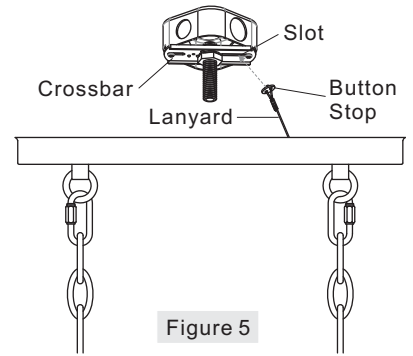


Figure 5

STEP 6 - Making the Wire Connections

- A. Use standard wire connectors (not included) to make all wire connections. Twist connectors until wires are tightly joined together. Wrap each connection with approved electrical tape and carefully stuff all the connected wires into outlet box.

Note: If the electrical wire is going to be cut shorter than provided you will need to identify the "L" line wire and the "N" neutral wire before you cut the excess wire off. One is labeled N and the other labeled L. To do this separate the "L" line wire and the "N" neutral wire as far as you need to. Re-label the wire near where you want to make the cut. Be sure to mark the wire on the side of the fixture and not on the excess wire being cut and removed.

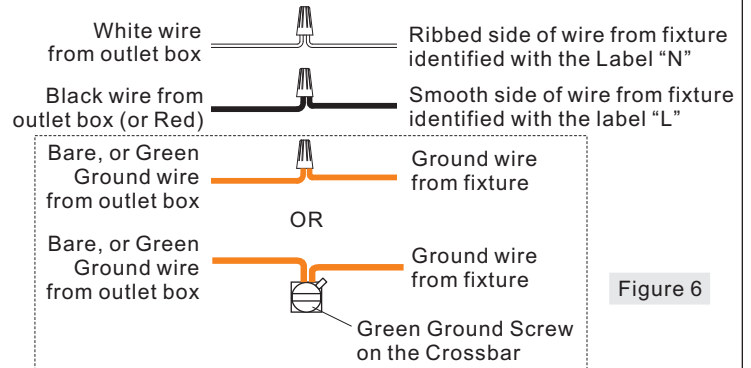


Figure 6

STEP 7 - Install Ceiling Canopy to Crossbar

- A. Attach the Ceiling Canopy (HH) over the end of the Nipple (DD) and secure with the Hex Nut (CC). Hand tighten until snug.
- B. Thread the Mounting Ball (EE) onto the Nipple (DD) and hand tighten until snug.

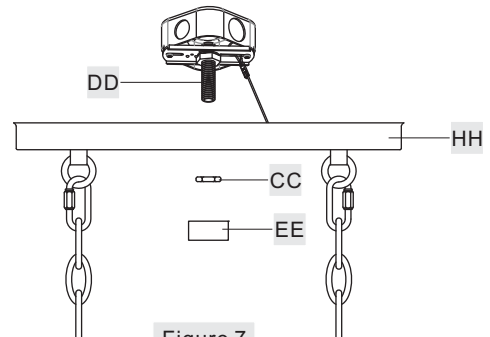


Figure 7

STEP 8 - Install Glass Panels and Bulbs

A. Align holes on the Glass Panel (D) to mounting holes on the frame of the Fixture Body (C). Place the Rubber Washer (F) onto the Lock Screw (E) and thread Lock Screws with Rubber Washers into the mounting holes on the frame to secure the Glass Panel (D). Hand tighten until snug.

B. Insert bulbs onto sockets and screw snugly into place.

Your fixture is now assembled and ready to use. Enjoy!

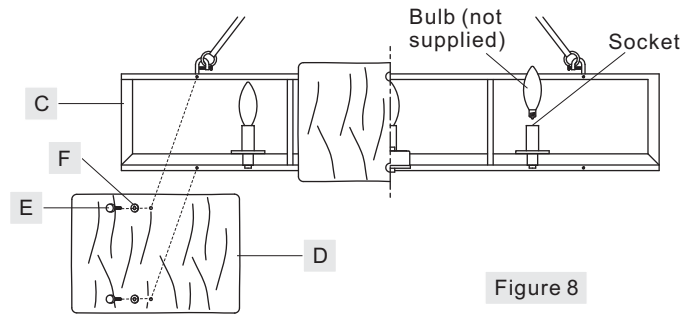


Figure 8

UQL2870

NOTE: ALL DIMENSIONS ARE ROUNDED UP TO THE NEAREST 1/4"

