

**Tools Required:** Flathead screwdriver, Phillips screwdriver, pliers, wire cutters, wire strippers, electrical tape, safety glasses.

**Light Source:** (4) LED G9 4.5W Bulbs

**Estimated Assembly Time:** 20-30 minutes

**Preparation:** Identify and inspect all parts before beginning installation. Check package content list and diagrams below to be sure all parts are present. If any parts are missing or damaged, do not attempt to assemble, install, or operate the fixture. Contact customer service for replacement parts.

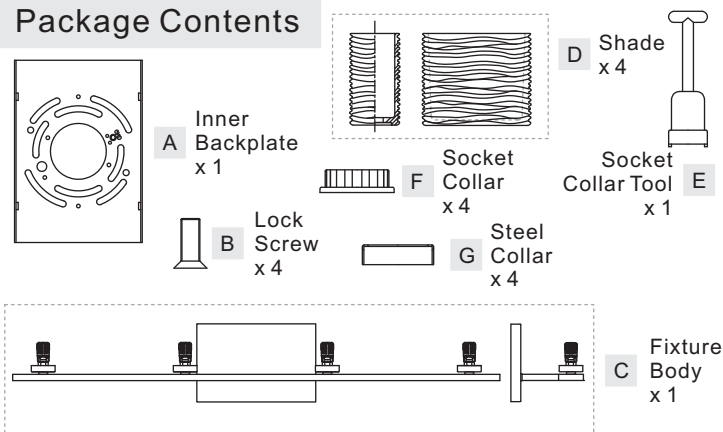
### ⚠ Warnings and Cautions

Turn off electricity at circuit breaker or main fuse box before installation. Consult a licensed electrician if in doubt.

These instructions are provided for your safety. It is very important you read them completely before installing the fixture. We strongly recommend that a licensed, professional electrician perform the installation.

Disconnect fixture from power source before replacing bulbs. Make sure bulbs are given sufficient time to cool before removal.

### Package Contents

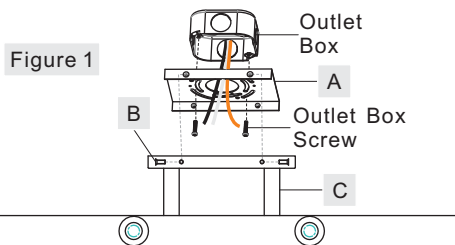


### STEP 1 - Install Inner Backplate and Fixture Body

A. Pass the supply wires through Inner Backplate (A). Attach Inner Backplate (A) to Outlet Box with the head of Green Ground Screw facing you. Secure it with Outlet Box Screws (not included). Tighten until snug.

B. Refer to Step 2 for wiring connections.

C. Attach Fixture Body (C) over Inner Backplate (A) and secure with Lock Screws (B). Tighten until snug with screwdrivers.



### STEP 2 - Wire Connections

A. Use standard wire connectors (not included) to make all wire connections. Twist connectors until wires are tightly joined together. Wrap each connection with approved electrical tape and carefully stuff all the connected wires between Inner Backplate (A) and Fixture Body (D).

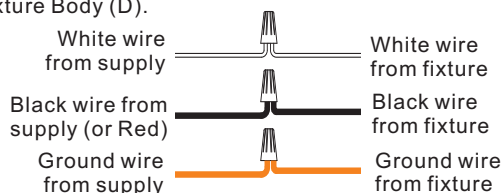


Figure 2

### STEP 3 - Install Shades and Bulbs

A. Place Shade (D) and Steel Collar (G) over Socket as shown. Secure by using Socket Collar Tool (E) thread Socket Collar (F) onto socket. Hand tighten until snug.

B. Install either G9 Xenon or G9 LED bulbs (not provided).

**Note:** This fixture is rated to use 60W maximum G9 Xenon bulbs.

Your fixture is now assembled and ready to use. Enjoy!

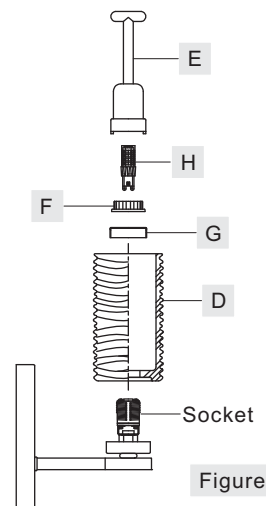
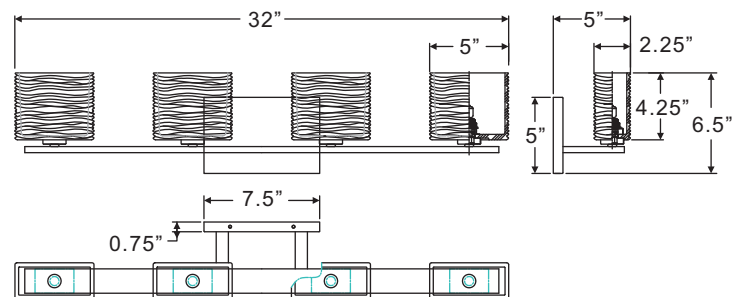


Figure 3



NOTE: ALL DIMENSIONS ARE ROUNDED UP TO THE NEAREST 1/4"

